

### 10102 Stay 2 support rail

Stay support rails are circular to maximize the area suitable for gripping. These modern support rails have a white antimicrobial frame, with an elastomeric gripping surface. Additional hardware is aluminum. Rails are equipped with hinges that aid with folding, and keeping the rails in an upright position. The support leg provides reinforcement for the wall-mounted rail, imperative for especially light structured walls. Mounting hardware sold separately.

#### Product numbers:

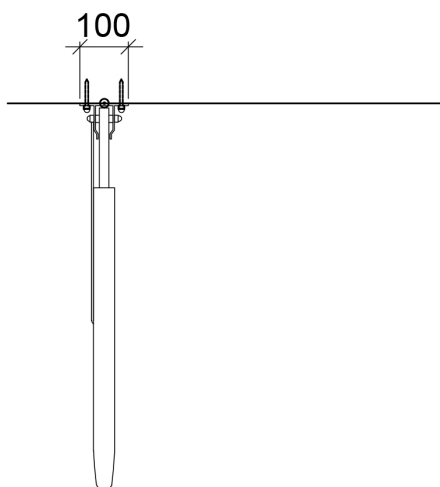
- **10102GAM** White, with grey coating
- **10102RAM** White, with red coating



#### Product Information

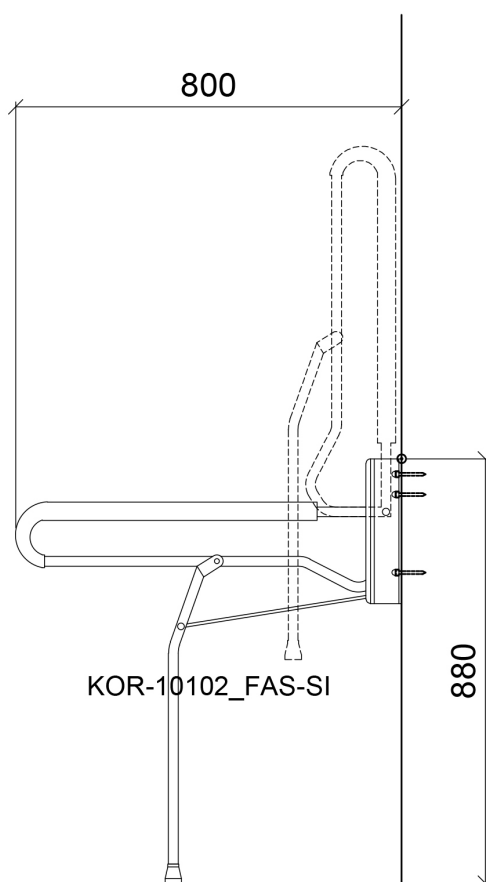
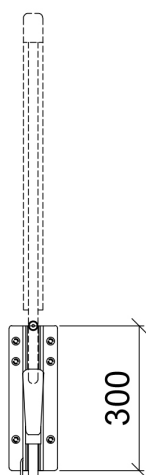
Width	100 mm	Color	-
Length	800 mm	Rail color	-
Height	880 mm	Material	-
Depth	-	Handedness	-

## Blueprint



KOR-10102\_PLAN

KOR-10102\_FAS



KOR-10102\_FAS-SI