

6409 Senior basin

Senior basins are made of durable and antimicrobial cast marble. The classical stylish shaped Senior -basin is designed for both public places and private homes. The modern and aesthetic design makes the basin an ideal addition to bathrooms in private homes. The fixed rails support standing and ease approach, and if necessary, can also be used as towel racks. Rails are available in different accent colours, to promote better spatial recognition: white (RAL 9016), grey (RAL 7037) and red (RAL 3003). The rails sustains max. 240 kg.

A water trap, an overflow set, and wall brackets are included. Mounting hardware sold separately. Other furnishings from the Senior series can complement the aesthetics of the basin.

Senior basin, 400 mm, faucet on the right

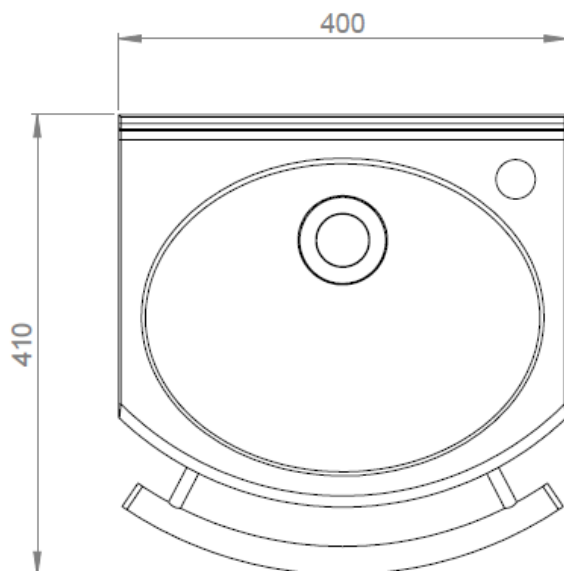
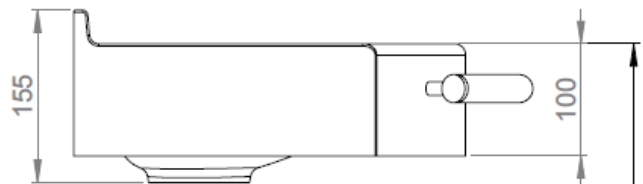
Product Numbers:

- **6409RAM**, red rail, faucet hole on the right
- **6409GAM**, grey rail, faucet hole on the right



Product Information			
Width	400 mm	Color	white
Length	-	Rail color	-
Height	-	Material	cast marble
Depth	350 mm	Handedness	-

Blueprint



~800

Floor level