

6236.5R Crank height adjustment system

The crank height adjustment system for right-handed Original basins. Allows for smooth and easy customization of the Original basin height via a removable hand crank. The height adjustment range is 200 mm (recommended operating height of the basin is 700-900 mm). The system is designed in accordance with the requirements of SFS-EN 14688: 2015.

The height adjustment rails and plumbing are hidden behind the cover, which makes the system look elegant. All white metal parts are painted with antimicrobial paint.

To get a functional unit you need:

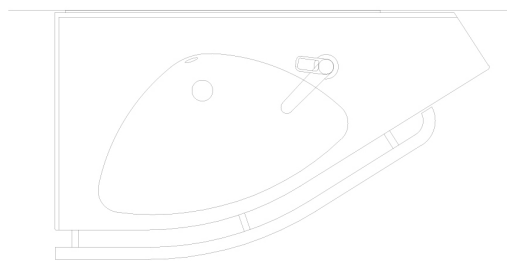
- a basin
- mounting hardware, product number: 6208-Z
- drain pipe (fastener not included), product number: 13982
- water pipe and fasteners, joints for copper pipe, product number: 13970
- fastener and screw to drain pipe, product number: 13983



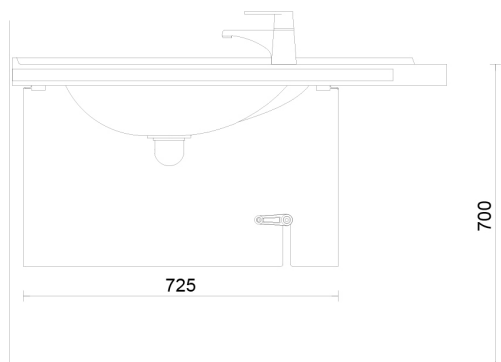
Product Information

Width	725 mm	Color	white
Length	-	Rail color	-
Height	450 mm	Material	-
Depth	125 mm	Handedness	right

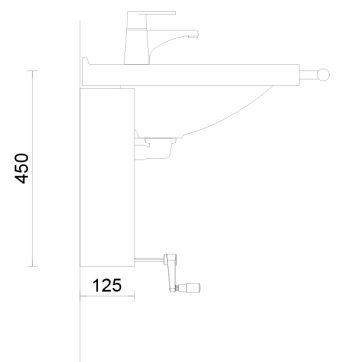
Blueprint



6236.4R PLAN



6236.4R FRONT



6236.4R SIDE