

6251.4 Crank height adjustment for Royal basin

The crank height adjustment system for Royal basin allows for smooth and easy customization of the basin height, to perfectly fit and adapt to your needs. The height adjustment range is 200 mm (recommended operating height of the basin is 700-900 mm). The system is designed in accordance with the requirements of SFS-EN 14688: 2015.

The height adjustment rails and plumbing are hidden behind the cover, which makes the system look elegant. All metal parts are painted with antimicrobial paint.

Sold separately:

- mounting hardware (6218-Z)
- drain pipe (fastener not included), product number: 13982
- water pipe and fasteners, joints for copper pipe, product number: 13970
- fastener and screw to drain pipe, product number: 13983

For wall drainage you need also:

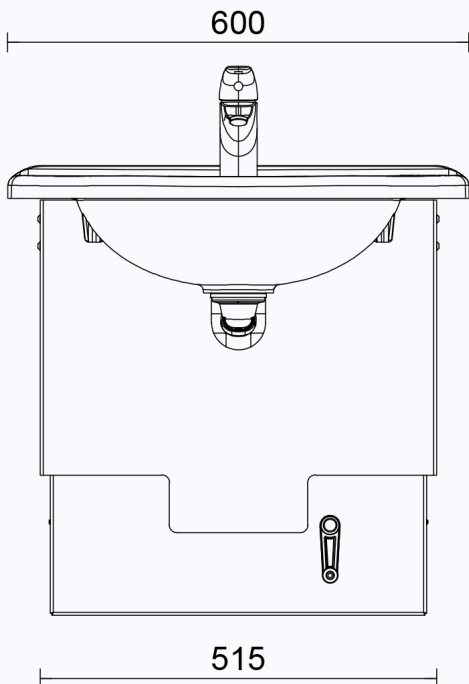
- wall installation part for the waterlock 90° (6223)



Product Information

Width	515 mm	Color	-
Length	-	Rail color	-
Height	450 mm	Material	-
Depth	125 mm	Handedness	right

Blueprint



800+-100

