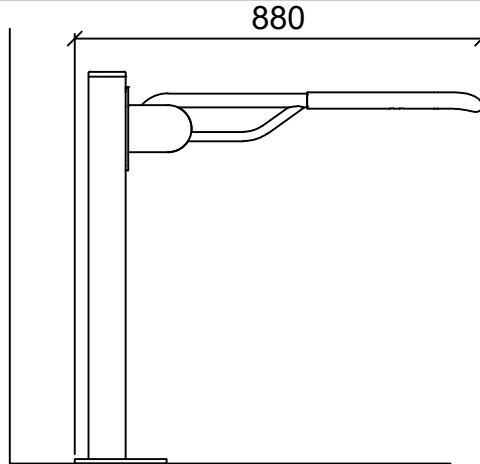
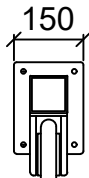


20107 FRONT



20107 SIDE



20107 PLAN