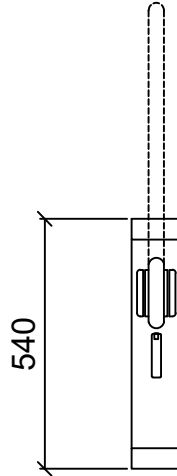
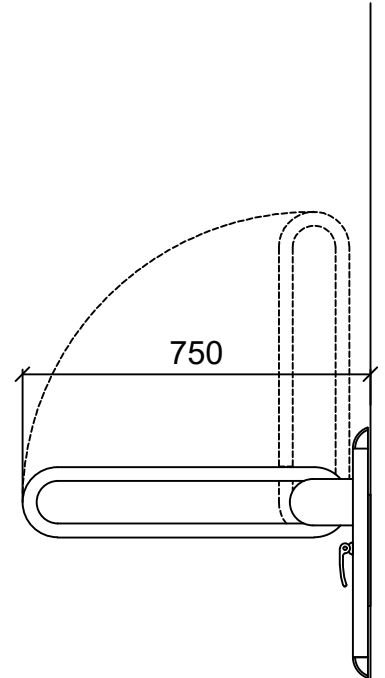


20112/20112C PLAN



20112/20112C FRONT



20112/20112C SIDE