



Korpinen Duo Height adjustable Toilet, Manual




User manual

This manual should always be in close proximity of the product


Table of content



- 1. Symbols used in this manual 3**
- 2. General safety 3**
 - 2.1 Product Unit label 5
- 3. General requirements 6**
 - 3.1 Product information 6
 - 3.2 Product description 6
 - 3.3 Intended use..... 6
 - 3.4 Intended operator 6
 - 3.5 Essential performance 7
 - 3.6 Non-clinical functions 7
 - 3.7 Clinical functions 7
 - 3.8 Product dimensions 7
- 4. Instructions for use 9**
 - 4.1 Installation of product..... 9
 - 4.1.1 Installation interface 9
 - 4.1.2 Construction 12
 - 4.1.3 Mounting the product..... 13
 - 4.2 Operating the product 19
 - 4.3 Residual risks..... 19
 - 4.4 Installation of accessories..... 20
 - 4.4.1 Installation of height adjustable toilet support arms 20
 - 4.4.2 Installation of backrest..... **Error! Bookmark not defined.**
- 5. Cleaning 20**
- 6. Maintenance 21**
 - 6.1 Periodic maintenance 21
- 7. Component parts list..... 21**
- 8. Environmental protection 21**
- 9. Accident reporting..... 22**

1. Symbols used in this manual

<p>Warning!</p> <p>Indication of potentially hazardous situation. If not avoided, it can result in serious injury or death.</p>	
<p>Caution!</p> <p>Indication of potentially hazardous situation which may result in minor or moderate injury. It may also be used to alert against unsafe practices.</p>	
<p>Notification!</p> <p>This symbol is used to notify correct use and handling of the product.</p>	









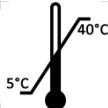
2. General safety

	<p>This manual must be read and understood before use and installation. Always keep this manual in close proximity of the product.</p> <p>The use, installation and service of this product must be in compliance with this manual to avoid accidents and serious personal injury.</p> <p>Never use or handle this product in other ways specified in this manual as it can result in personal safety hazards and/or cause damage to the product.</p> <p>Persons installing and/or using this product either as operator or user should have the necessary safety information and access to this manual.</p>
---	--

	<p>Do not perform repairs, disassembly or assembly operations, add-ons, re-adjustments, or modification of the product beyond what is described in this manual. These must be carried out by Korpinen or Korpinen authorized personnel. Do not perform service while in use.</p> <p>This appliance can be used by children aged from 8 years and above and persons with reduced physical, sensory, or mental capabilities or lack of experience and knowledge if they have been given supervision or instruction concerning use of the appliance in a safe way and understand the hazards involved. Children shall not play with the appliance.</p> <p>Do not use the product if it has defects or have become damaged before being repaired or replaced.</p>
	<p>The information in this manual is based on correct installation in accordance with installation instructions for this product.</p> <p>Korpinen cannot be held liable if the product is used in any way that differs from stated in this manual and/or installation instruction.</p> <p>Korpinen reserves the right to amend this manual and reference documents without prior notice.</p>

2.1 Product Unit label



	<p>This product is CE-marked in accordance with: European Medical Device Regulation (EU)2017/745</p>
	<p>Manufacturer name and address</p>
	<p>Date of production</p>
	<p>Stock number</p>
	<p>Serial number</p>
	<p>Consult manual before use</p>
	<p>Consult manual for important safety related information, warnings, and safety precautions</p>
	<p>Do not dispose as unsorted municipal waste. Product must be returned to a designated recycling station</p>
	<p>Operating and storing temperatures may not exceed 5-40°C</p>

3. General requirements

3.1 Product information

Manufacturer	Väinö Korpinen Oy, Kalkkipellontie 6, FI-02650 Espoo Tel. +358 9 5491 4400 korpinen@korpinen.com		
Product models	Part number	Model	Configuration
	21273025 21273035	Height adjustable toilet Height adjustable toilet	Manual, floor drain Manual, wall drain
Expected service life according to ISO 17966:2016	5 years		
MDR Class 2017/745	Class I		
Intended environments	This product is to be used only in: Professional Healthcare Environment Homecare Environment		
Maximum user weight according to ISO 17966:2016	400kg		
Height adjustment	400-620mm		
Ambient temperature range	-5 °C to +40 °C Transport and storage +5 °C to +40 °C Operation		
Relative humidity	20% to 80% - non-condensing		
Materials in contact with patient	Component	Material description	Reference datasheet
	Covers	AMI ABS/PMMA plastic	

Accessories	
Item nr.	Model

3.2 Product description

The Korpinen manual toilet lifter can be set in heights ranging from 400-620mm by the use of a crank handle. This can be done on either side of the toilet lifter if space is limited. Height adjustment will meet different sitting height needs from various patient heights.

3.3 Intended use

The Korpinen height adjustable toilet lifter is intended to be used in both homecare and professional healthcare environments. Adjusting the height will meet ergonomic demands emerging from various patient heights.

The toilet lifter is not intended for playing, or as a training device.

3.4 Intended operator

The intended operator may include all that have read and understood this manual exempt kids.

3.5 Essential performance

The device does not have any function related to basic safety or essential performance. In case of loss or degradation of performance, the user can get of the toilet.

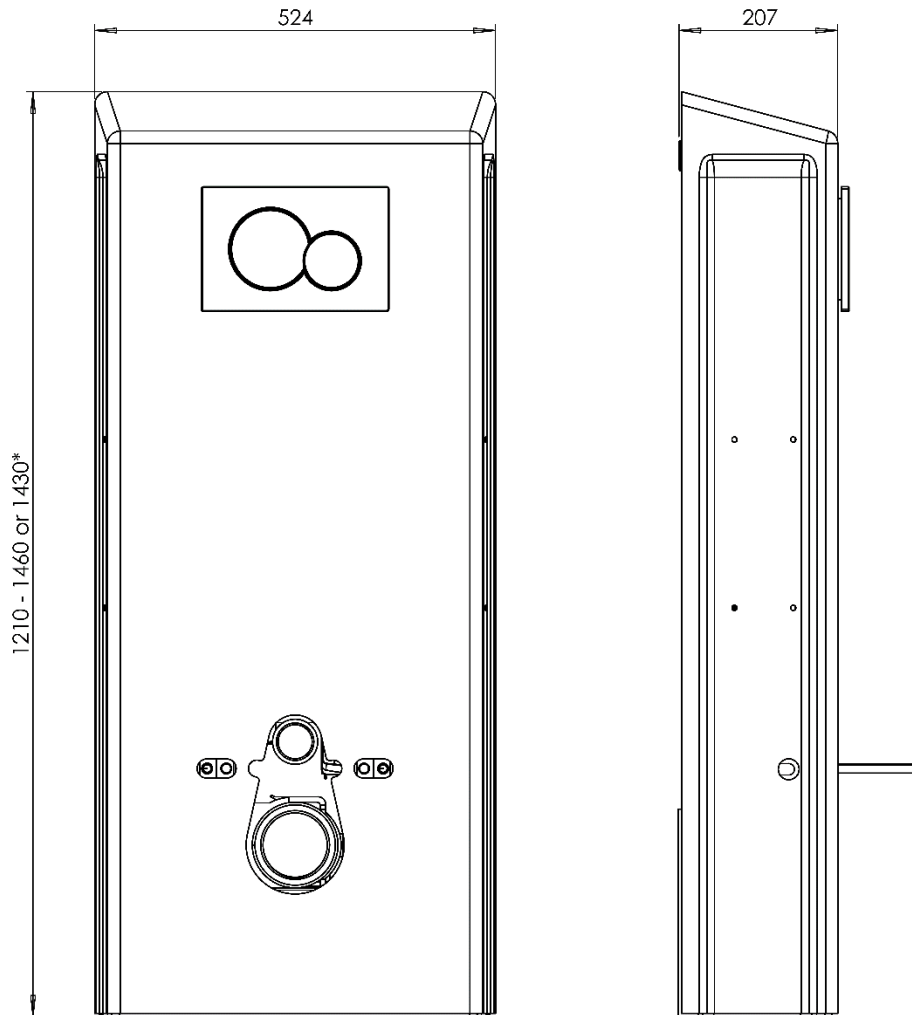
3.6 Non-clinical functions

Height adjusting offers better ergonomics to user and caretaker.

3.7 Clinical functions

This product does not offer clinical benefits for patients, when used as intended by the manufacturer.

3.8 Product dimensions

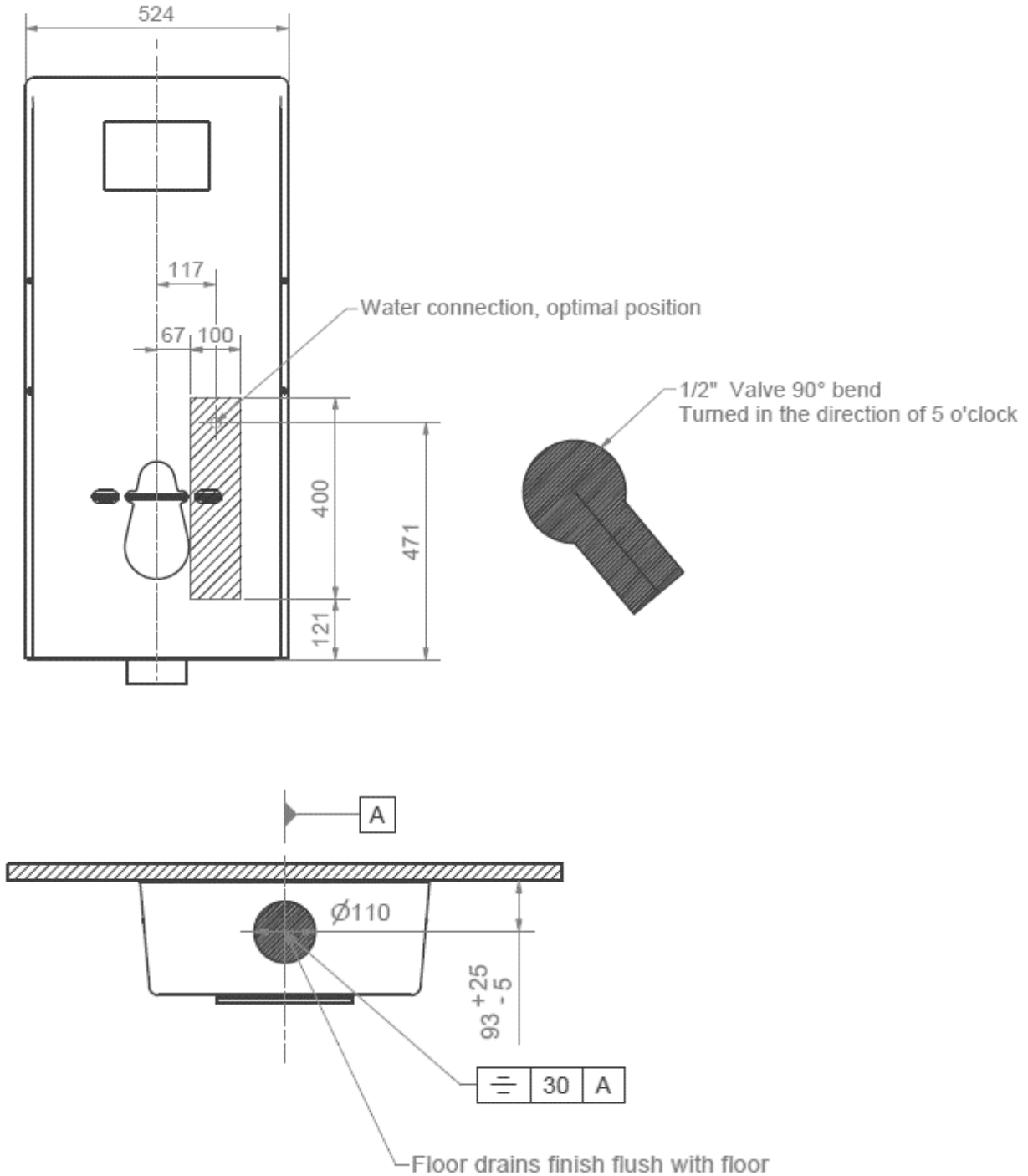


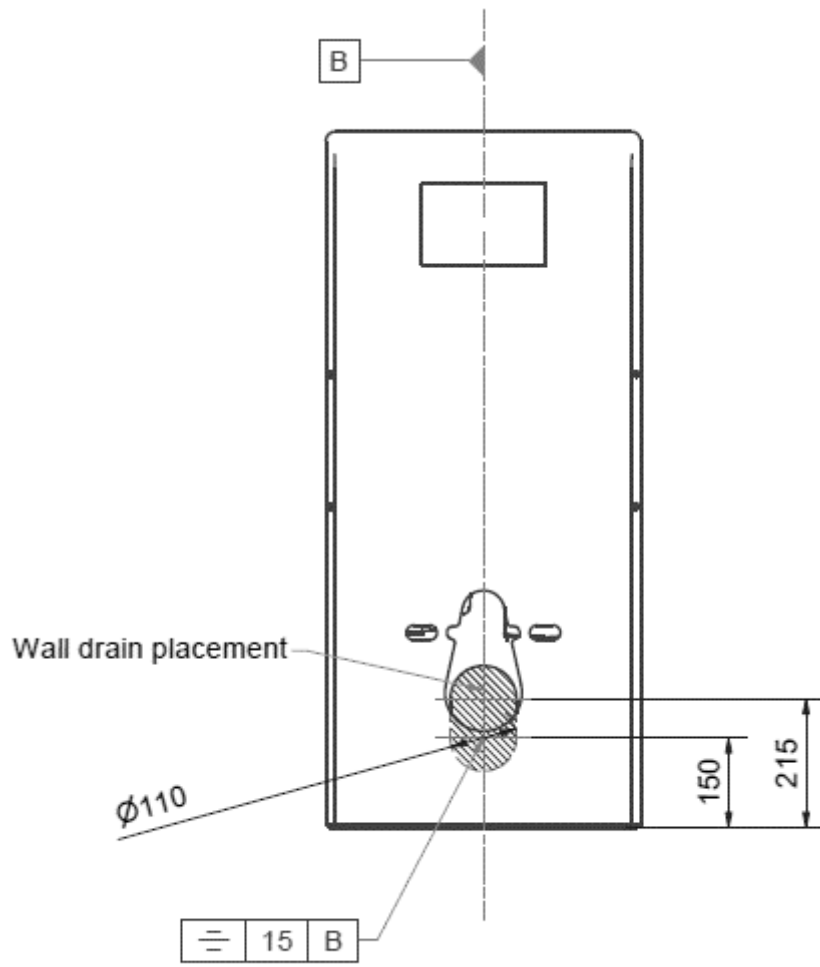
* Electrically adjusted model's seat height is adjustable between 400-650 mm. Manually adjusted model's seat height is adjustable between 400-620 mm

4. Instructions for use

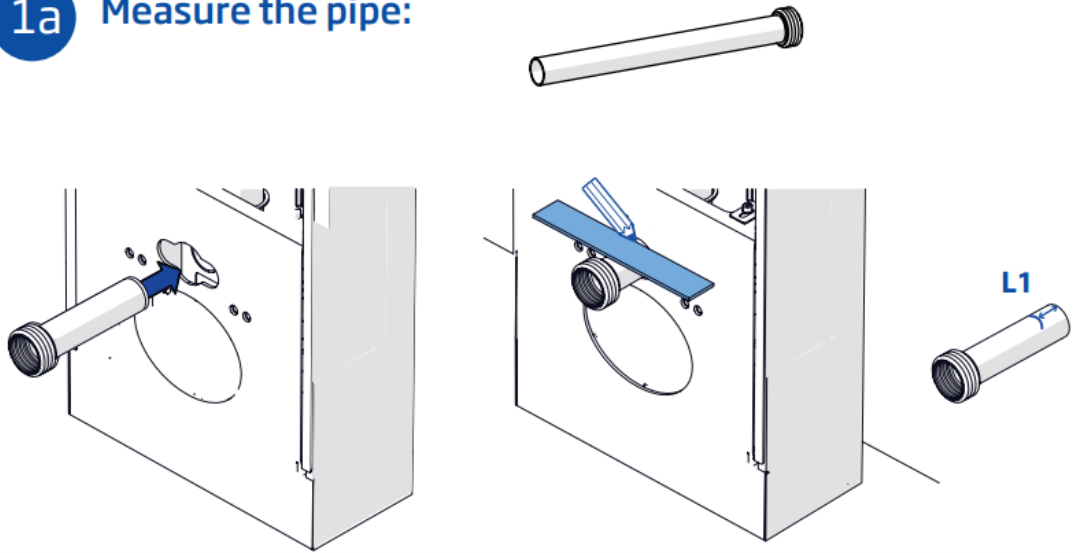
4.1 Installation of product

4.1.1 Installation interface

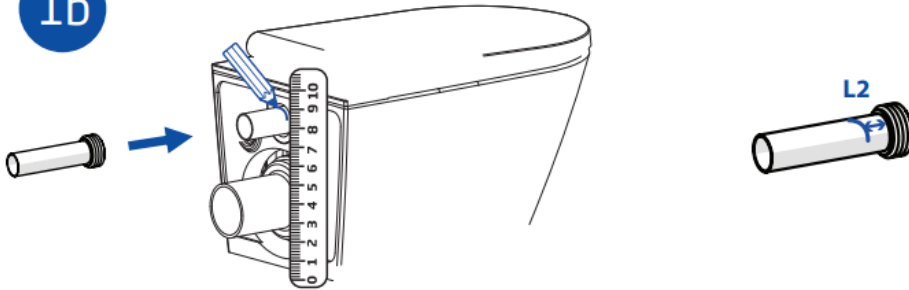




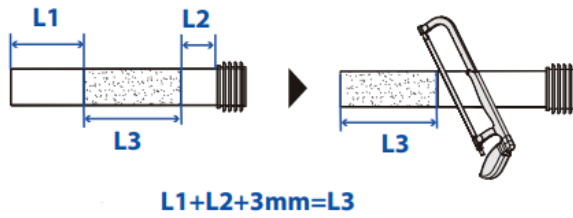
1a Measure the pipe:



1b

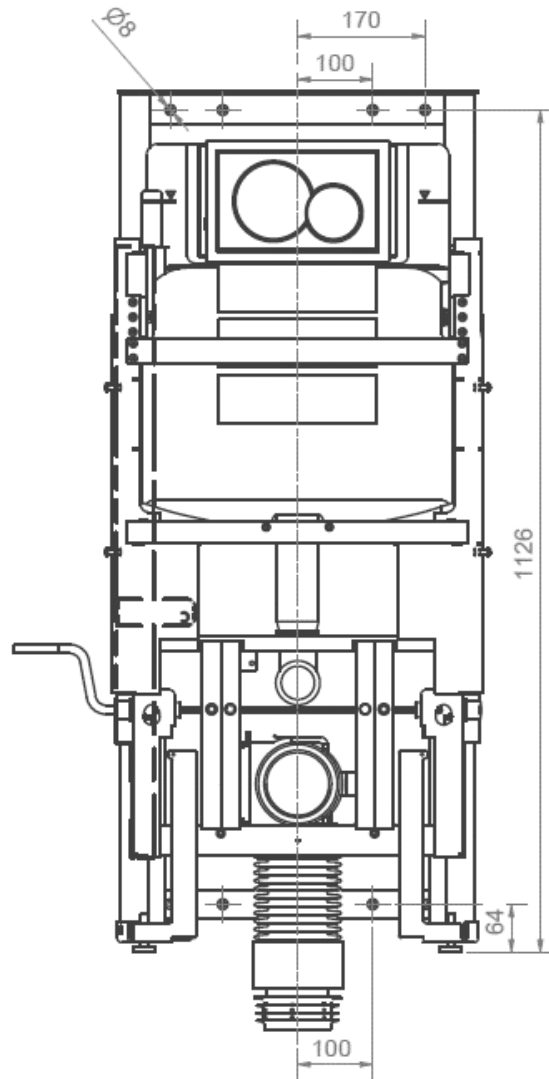


1c



1d





Notification!

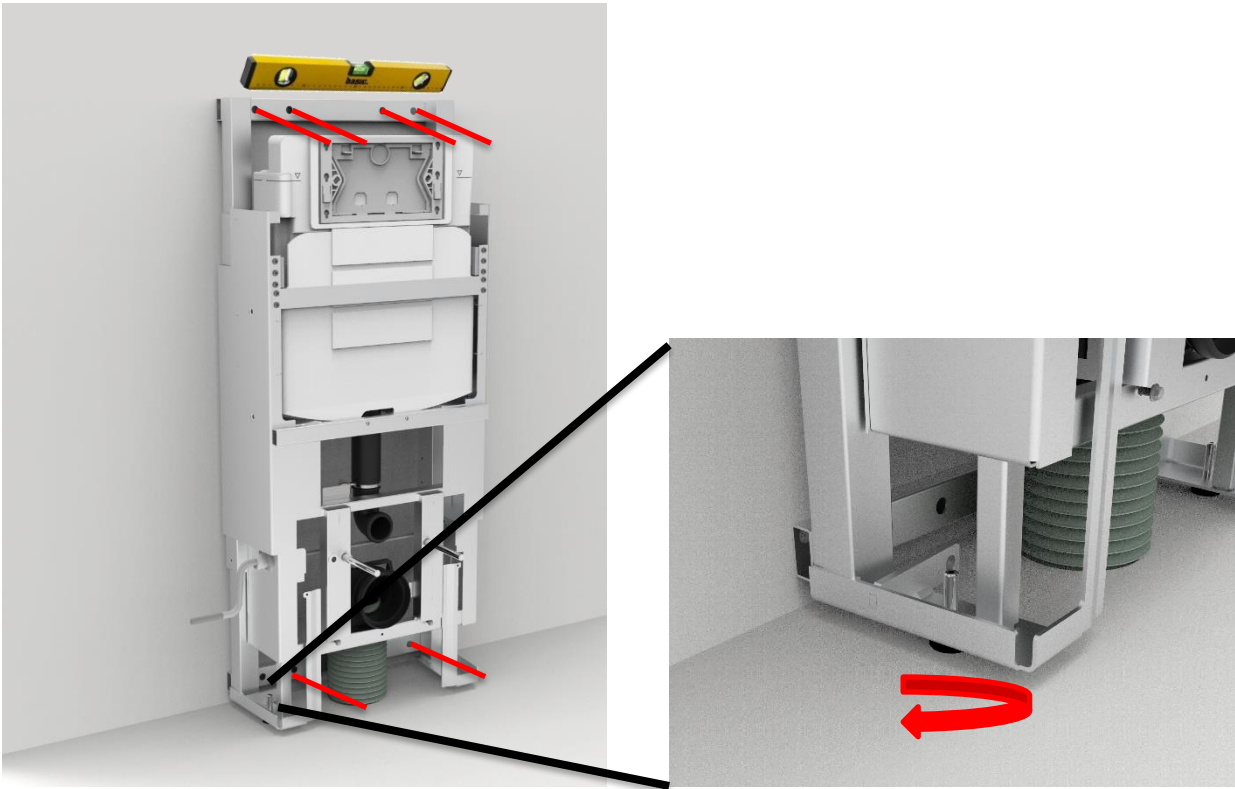
The toilet lifter is supplied with a set of 6 screws and rawplugs suitable for mounting in a concrete wall. The fitter should always consider the material, condition, and strength of the wall and use screws and rawplugs suitable for the specific wall type.



Caution!

Maximum pulling force per screw is 44kg, at 400kg max user weight according to ISO 17966: 2016

4.1.3 Mounting the product



- a.** Line up frame with adjustment screws. Mark out 6 holes and drill holes for appropriate rawlplugs. Ensure that the center of the bottom 2 holes is at least 64mm above the floor.
- b.** Connect water hose on wall outlet and electric outlet before securing frame to the wall.
- c.** Secure frame to wall.

d1. If drain is in floor, mount the drain bellow as instructed below.

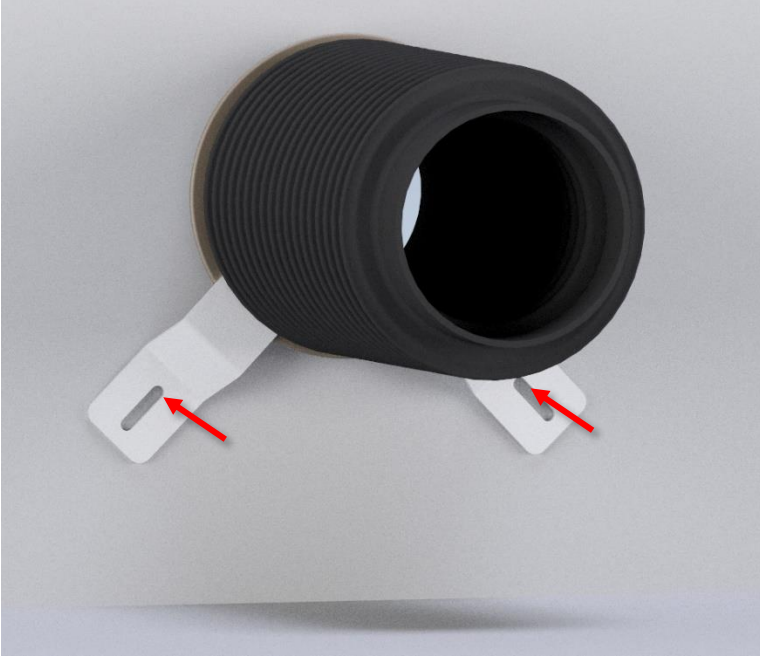


Make sure the bellow is not twisted

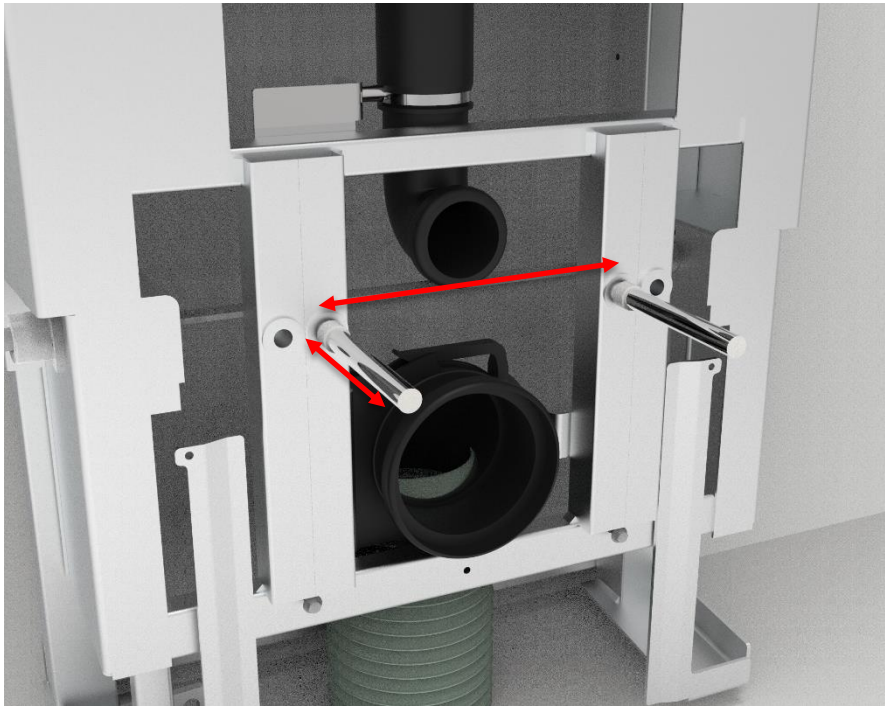


Mount the bellow as shown below for correct flow

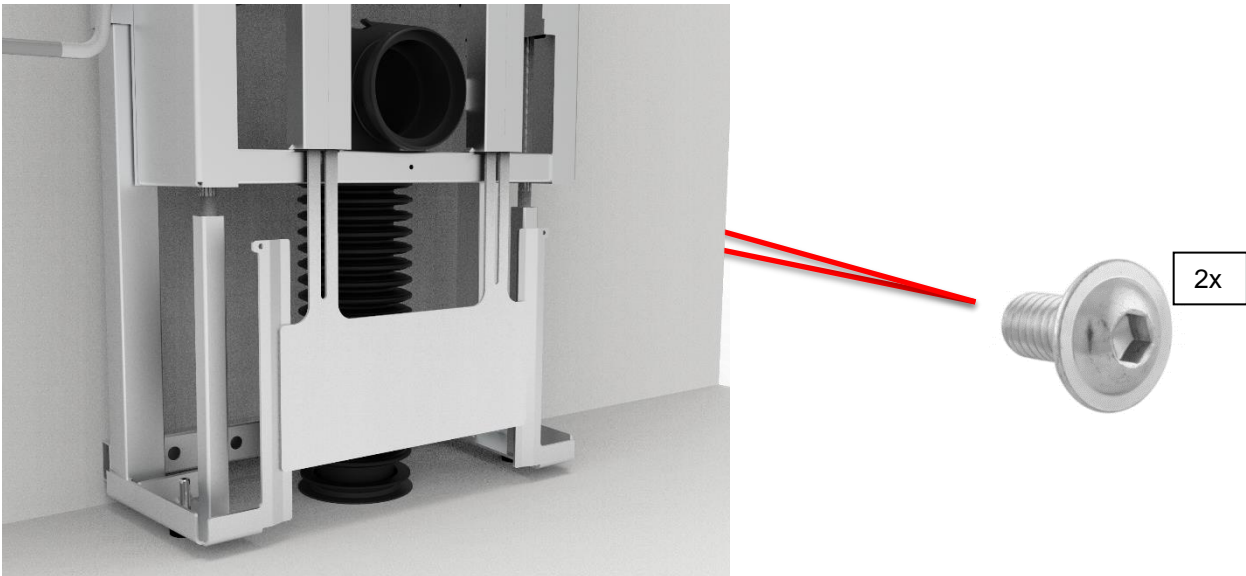
d2. If drain is in wall, mount the drain bellow in wall drain, mount the accompanying brackets on the wall, so that the toilet flange is held in place.

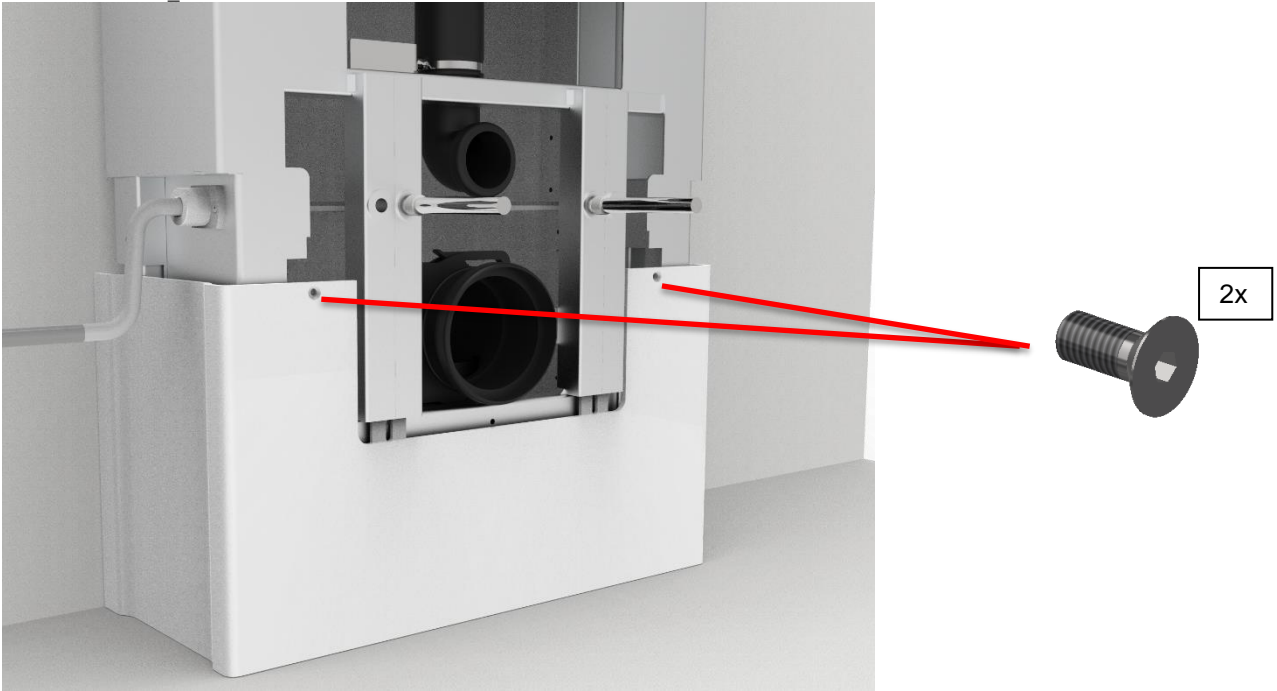


e. Cut threaded rods to length and secure them in the frame.



f. Mount inner covers 1 and 2.

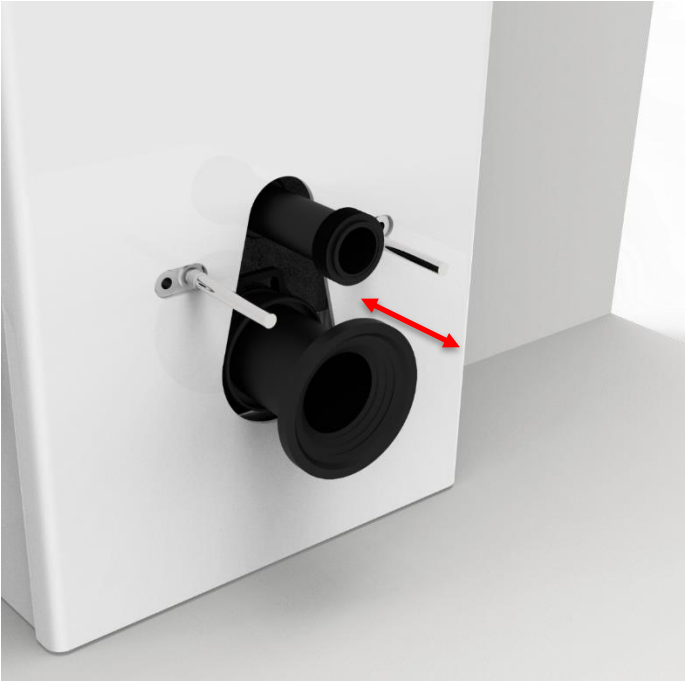




g. Mount outer cover.



h. Shorten ferrule and flush pipe to length and mount them.



i. Mount the toilet and press pad.



j. Finish the installation by checking the following:



1. Rigidity test, sit on the toilet and check screw connections are firm.
2. Check that full travel of the product goes unhindered.
3. Check flushing and leaks.

4.2 Operating the product

Adjusting the height is done by turning the crank.



	<p>Warning! The product should always be able to travel the full range of actuation without colliding with objects. Failing to do so will compromise the product stability. Special care should be taken in ensuring that no children or adults are sited under the product as severe injury from entrapment may occur.</p>
--	--

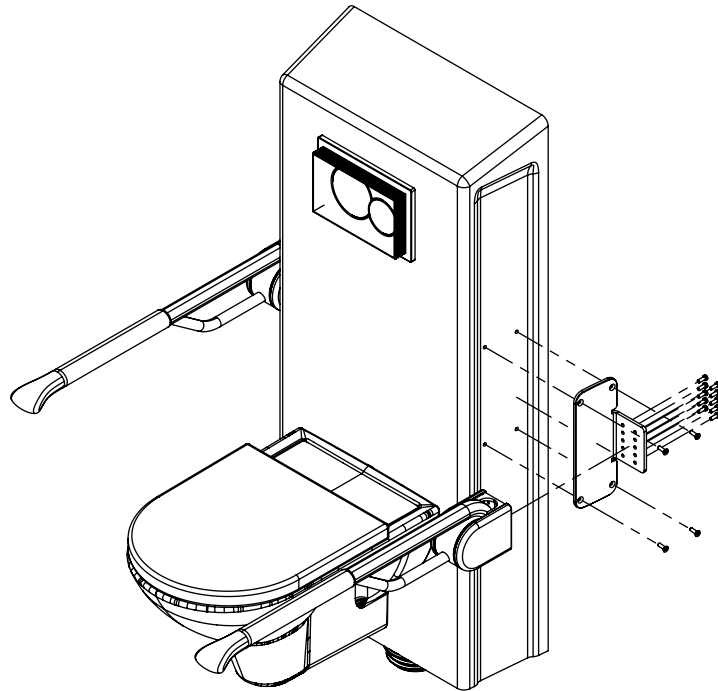
4.3 Residual risks

<p>Warning!</p> <p>Be aware that there may be no person or body parts under the toilet when it is driven down, as it is a crushing hazard.</p>	
<p>Caution!</p> <p>Do not place your hand/fingers between the wall and the movable cover, as you risk crushing your hand/fingers.</p>	
<p>Warning!</p> <p>In case of incorrect installation of plumbing parts, water leaks can occur on the floor, which may increase the risk of falling.</p>	

4.4 Installation of accessories

4.4.1 Installation of the toilet support arms

- a. Attach the support rail to the mount with 10 x M6x16 and 10 x M6 washers.
- b. Attach the support rail and mount assembly to the lifter with 4 x M6x25 DIN 7991 screws.



5. Cleaning

Cleaning can be done with lukewarm water and a suitable all-purpose cleaning agent. Use a cloth or soft sponge to wash the product. Dry the product with a wrung cloth.

Notification!

Do not use cleaning agents containing abrasive e.g. scouring powder, steel wool, scouring



sponge.

This product is not designed to be sterilized. Autoclaving and sterilization beyond normal means may change the product safety and function.

Preapproved cleaning agents

Tradename	Solution
Acticlor plus	1000ppm
S90 sanirens	1-3% peracid
FUTUR, Alkalisk rens	1% Solution [pH 9,5]

6. Maintenance



Notification!

Failing to comply with periodic maintenance may result in degradation of the product function and safety.

6.1 Periodic maintenance

Component	Maintenance activity	Maintenance interval	Registration date of maintenance
Geberit Sigma 12 cistern	Descaling / change of worn components	6-12 months dependent on calcium content in water	

7. Component parts list



Notification!

Korpinen will make parts list available for extraordinary maintenance and repair beyond what is described in this manual. Repair beyond what is described in this manual may only be done by Korpinen designated service personnel.

8. Environmental protection

The product is not intended to be disposed as municipal waste. Proper disassembly, sorting and disposal of components must be done by waste disposal professionals.



Part	Disposal recommendation
Frame	Steel
Cistern	Hard plastic Polystyrene
Covers	Antimicrobial hard plastic (ABS/PMMA)
Height adjustable toilet support arms	Steel

9. Accident reporting

The manufacturer of this product recommends any accident with this product that meets all the following criteria reported to the appropriate authority as well as to the manufacturer.

1. There has been or could have been an accident
2. The medical device is considered to be a contributing factor to the case, and
3. The event resulted or could have resulted in one of the following outcomes:
 - Death - a patient, a user or a third party's death
 - A serious deterioration of a patient's health, a user's health or a third party's health status in the form of:
 - a. Life-threatening disease
 - b. Lasting damage or injury
 - c. Necessary medical or surgical treatment to divert life-threatening illness, permanent injury
 - d. Fetal death, fetal injury, or congenital abnormalities