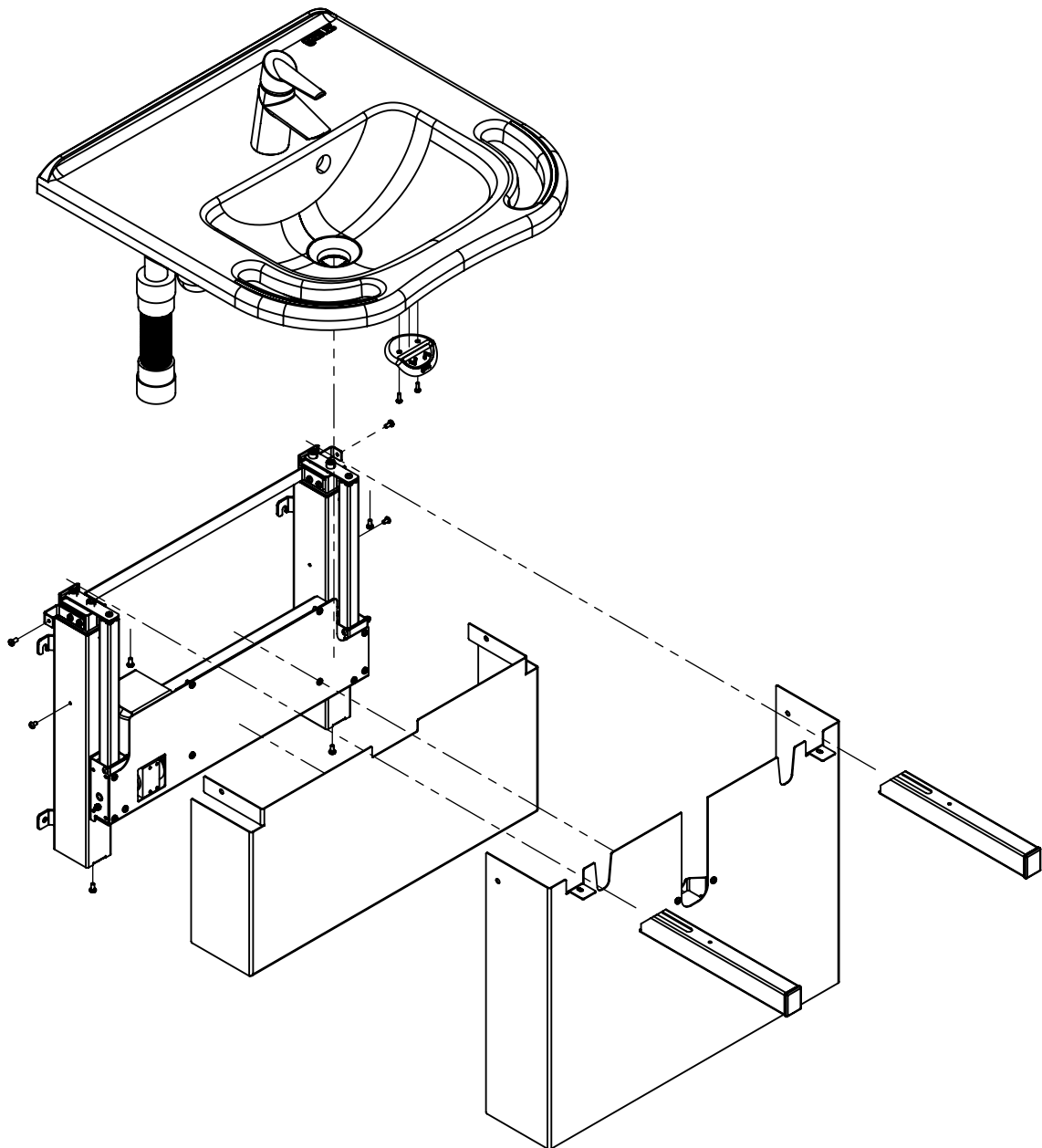






21273112-00 Gaius Royal basin Electric lifter installation guide



Symbols used in this manual

<p>Warning! Indication of potentially hazardous situation. If not avoided, it can result in serious injury or death.</p>	
<p>Caution! Indication of potentially hazardous situation which may result in minor or moderate injury. It may also be used to alert against unsafe practices.</p>	
<p>Notification! This symbol is used to notify correct use and handling of the product.</p>	

General safety

<p>This manual must be read and understood before use and installation. Always keep this manual in close proximity of the product.</p> <p>The use, installation and service of this product must follow this manual to avoid accidents and serious personal injury.</p> <p>Never use or handle this product in other ways specified in this manual as it can result in personal safety hazards and/or cause damage to the product.</p> <p>Persons installing and/or using this product either as operator or user should have the necessary safety information and access to this manual.</p> <p>If the supply cord is damaged, it must be replaced by the manufacturer, its service agent or duly qualified designated persons in order to avoid a hazard.</p>	
---	---

Do not perform unauthorized repairs, disassembly or assembly operations, add-ons, re-adjustments or modification of the product beyond what is described in this manual. Any use, modification or adjustment not described in the most recent approved revision of the manual is strictly forbidden. Do not perform service while the product is connected to the mains power.

This appliance can be used by minors aged above 8 years and persons with reduced physical, sensory or mental capabilities only under adequate supervision and instruction concerning the safe operation of the appliance. The user must understand the hazards involved. Children shall not play with the appliance.

Do not use the product if it is defective or signs of damage are present. If the device produces unusual noise or smells, switch off the mains voltage immediately.

Take care that the cables are not damaged. Unplug the mains cable on mobile equipment before it is moved.

The products must only be used in an environment that corresponds to their IP protection







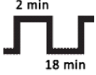




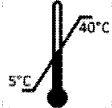


Korpinen cannot be held liable if the product is used in any way that differs from what is stated in this manual and/or installation instruction. Korpinen reserves the right to amend this manual and reference documents without prior notice.

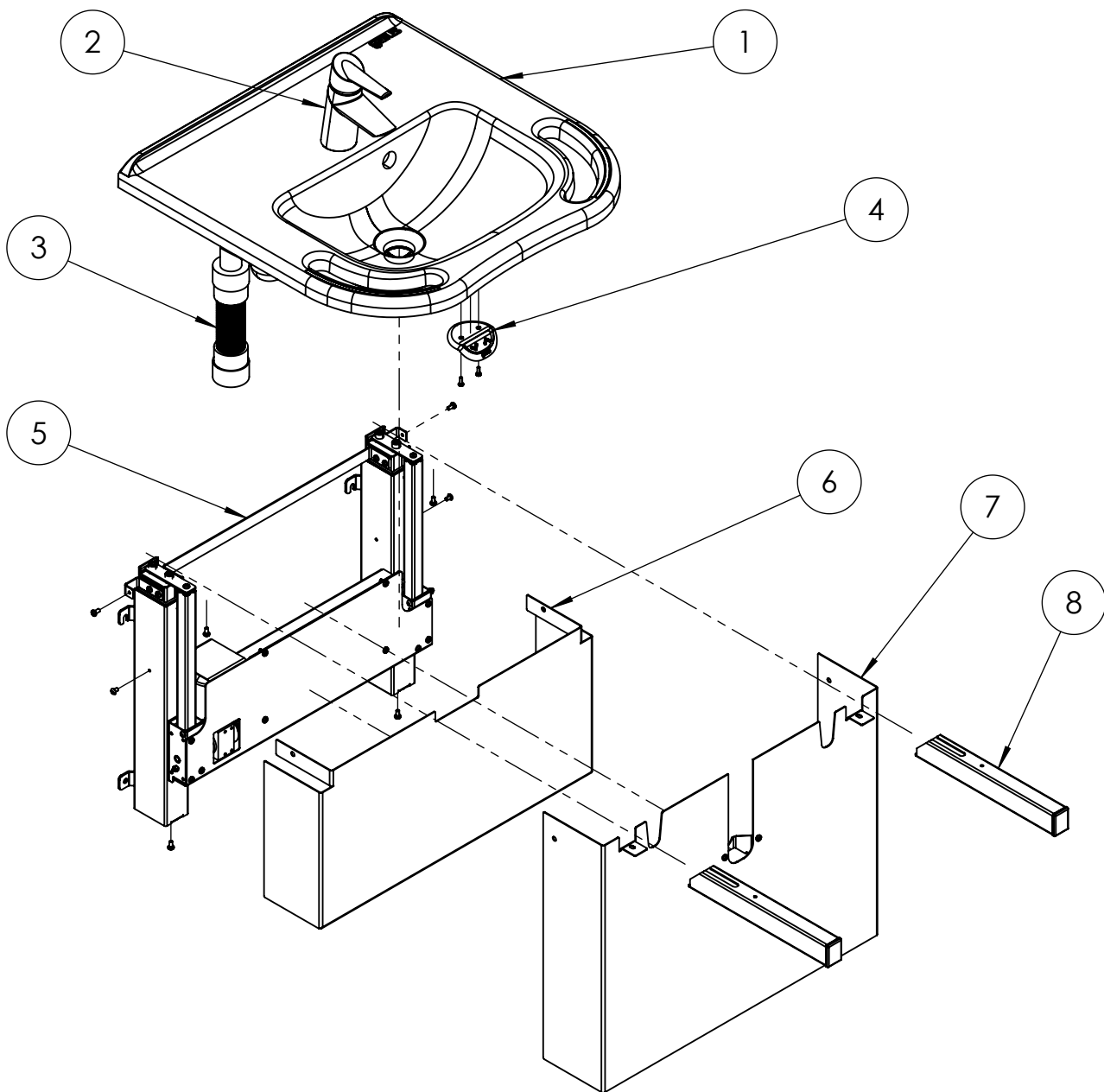
Latest instructions are available on Korpinen's website: <https://www.korpinen.com/>



Product label symbols

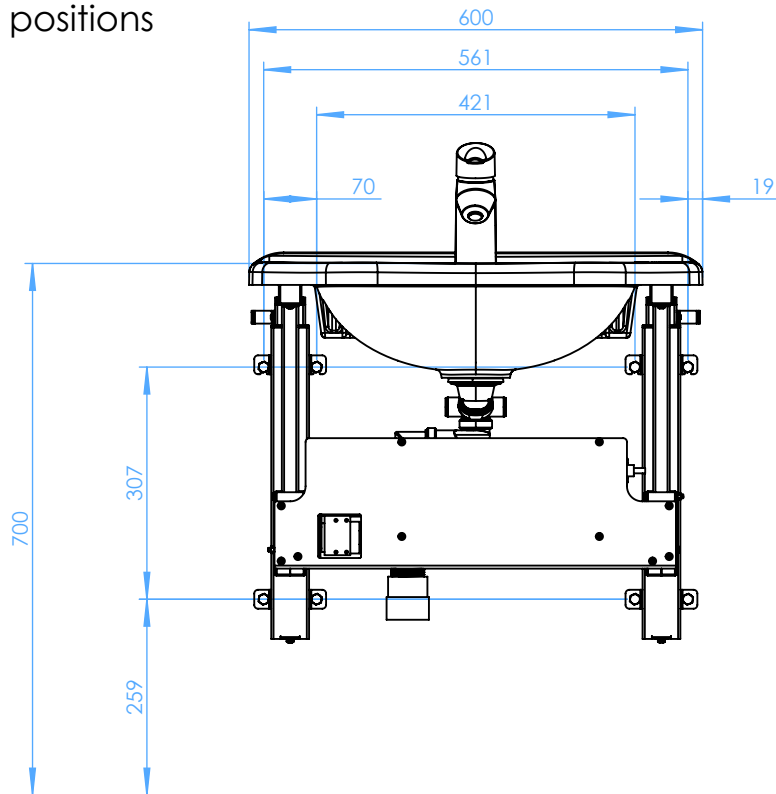
<p>This product is CE-marked in accordance with: Council Directive 2006/42/EC on machinery Council Directive 2011/65/EU, RoHS</p>	
<p>Manufacturer name and address</p>	
<p>Date of manufacture</p>	
<p>Reference number</p>	
<p>Serial number</p>	
<p>Consult manual before use</p>	
<p>Operating interval of electrically operated equipment. The use of electrical height adjustable equipment can run at maximum 2 minutes, followed by an 18-minute break.</p>	
<p>Consult manual for important safety related information, warnings, and safety precautions.</p>	
<p>Class II, double isolated electrical components.</p>	
<p>Do not dispose as unsorted municipal waste. Product must be returned to a designated recycling station.</p>	
<p>Mobile phones or other portable RF emitting equipment should be no closer to the product than 30cm.</p>	
<p>Operating and storing temperatures may not fall outside 5-40°C</p>	

Exploded view

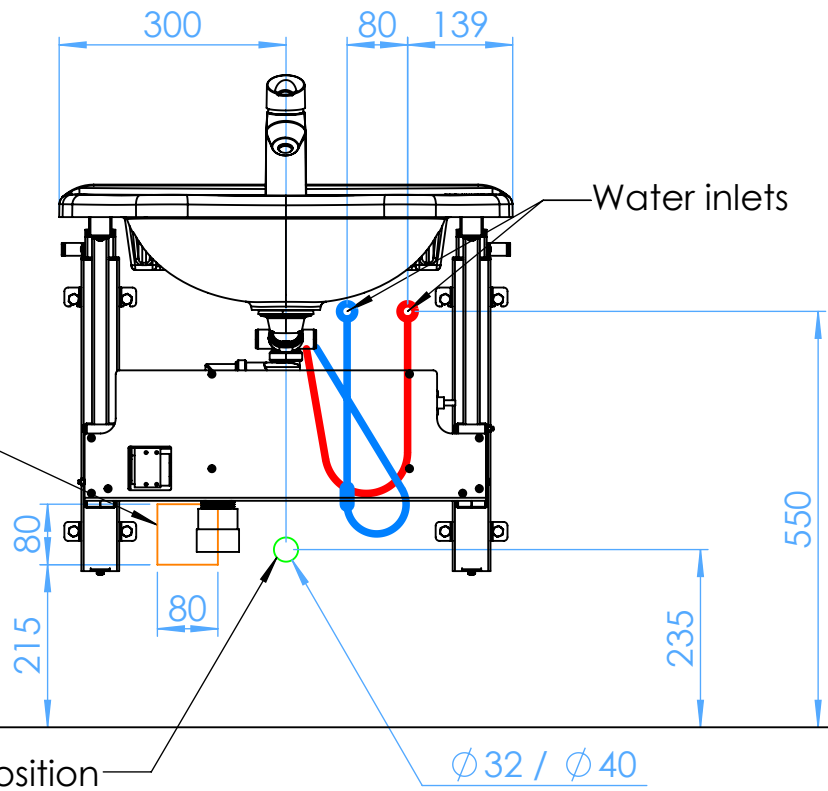


Item name	Part no.	Qty.	Notes
1 Royal basin	All Gaius Royal and Sense Royal basins	1	Not included
2 Faucet, 350 mm flexible inlet tubing		1	Not included
3 Flexible drain pipe and inlet hoses	13982 + 13970		Not included
4 User interface		1	
5 Lifting unit		1	
6 Bottom cover		1	
7 Top cover		1	
8 Basin support arm		2	
Mounting hardware	6219-Z	1	Not included

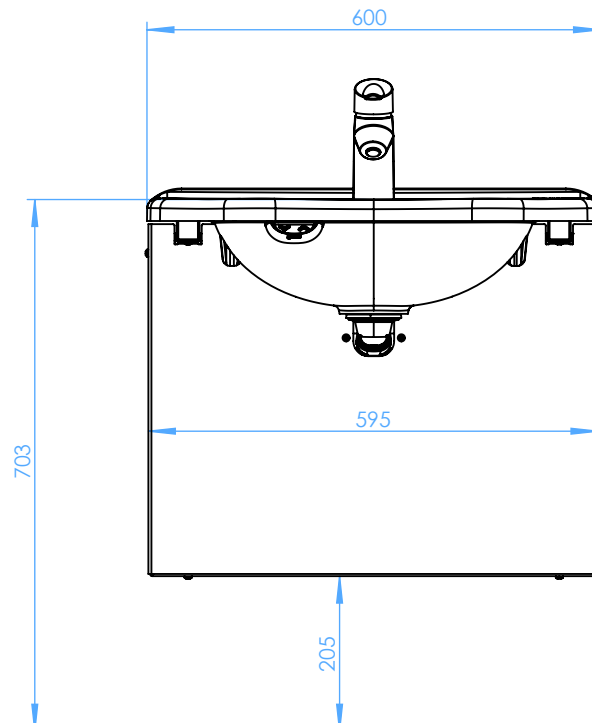
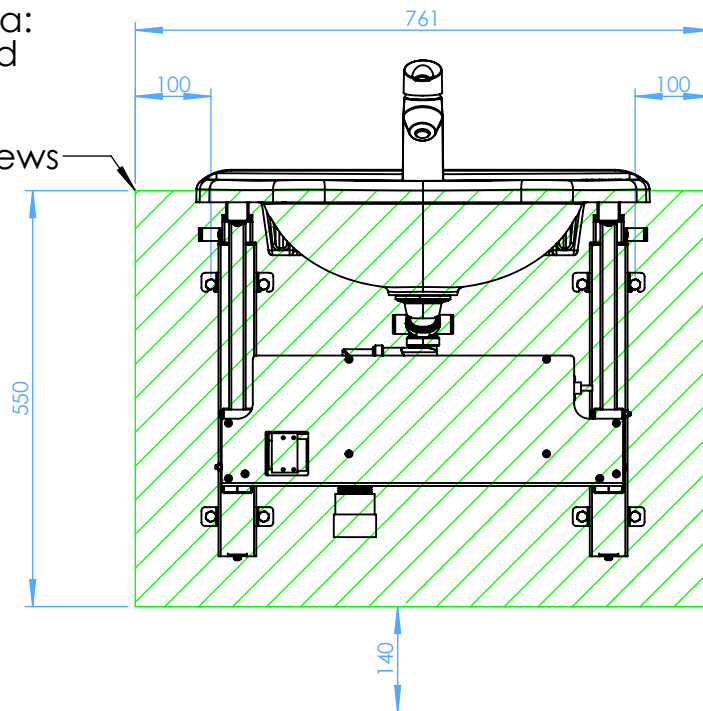
Mounting hole positions



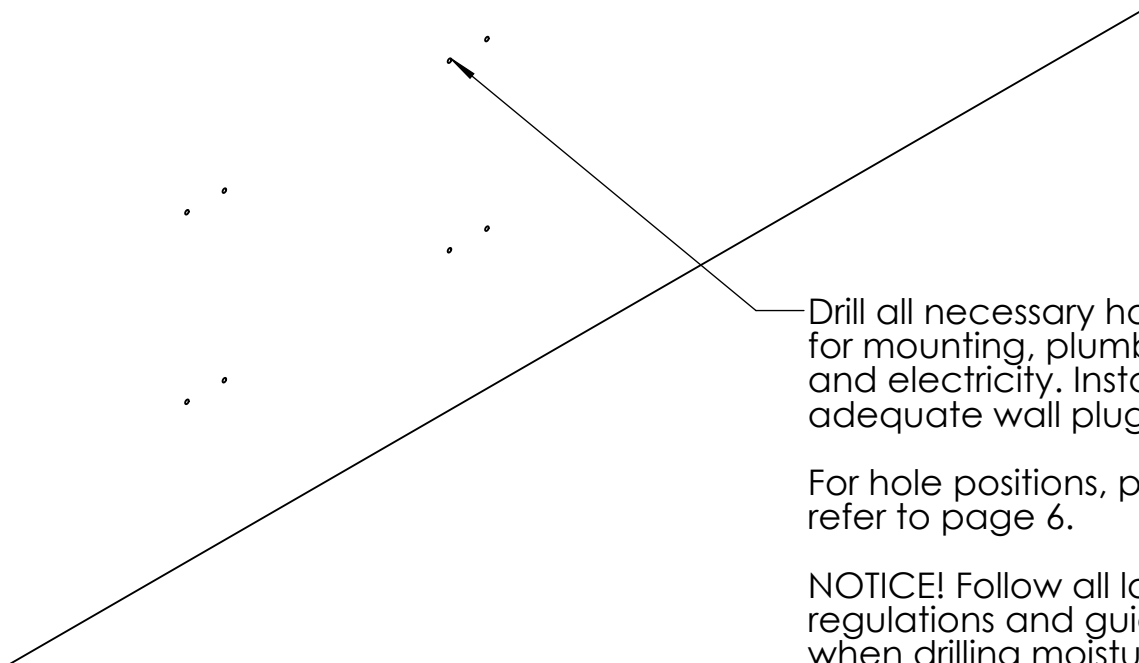
Electrical inlet
230VAC IP44.
Max dimensions:
d80 or 80x80 mm,
height from wall
15 mm



Reinforced area:
20 mm plywood
with adequate
wall plugs and
8 mm deck screws



1.

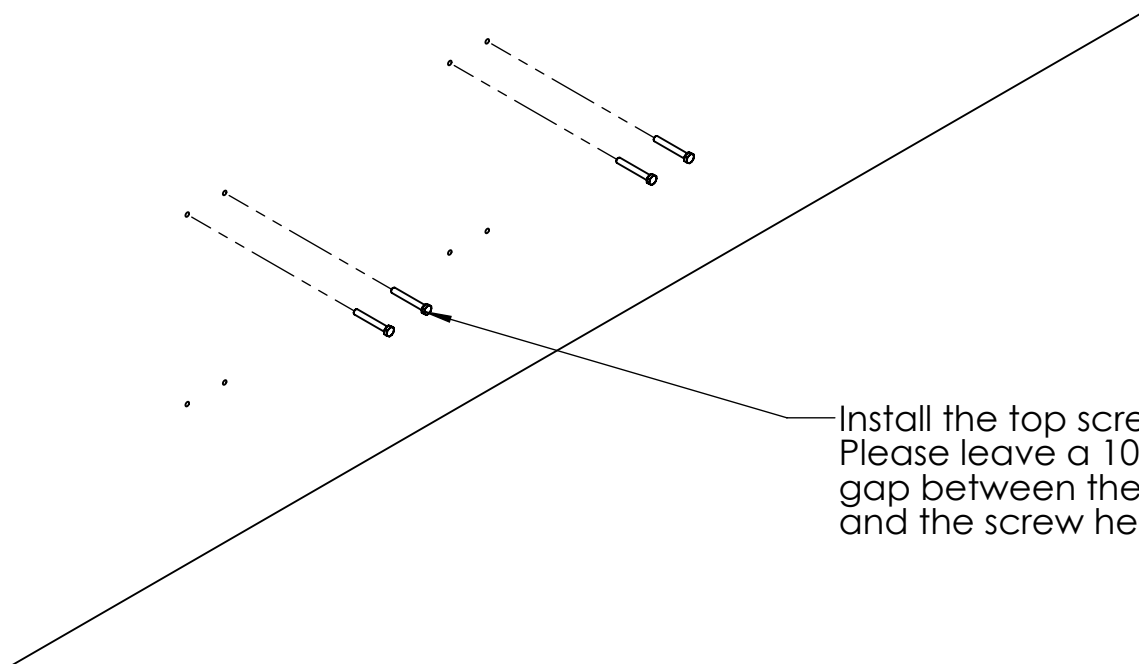


Drill all necessary holes for mounting, plumbing and electricity. Install adequate wall plugs.

For hole positions, please refer to page 6.

NOTICE! Follow all local regulations and guidance when drilling moisture insulation.

2.

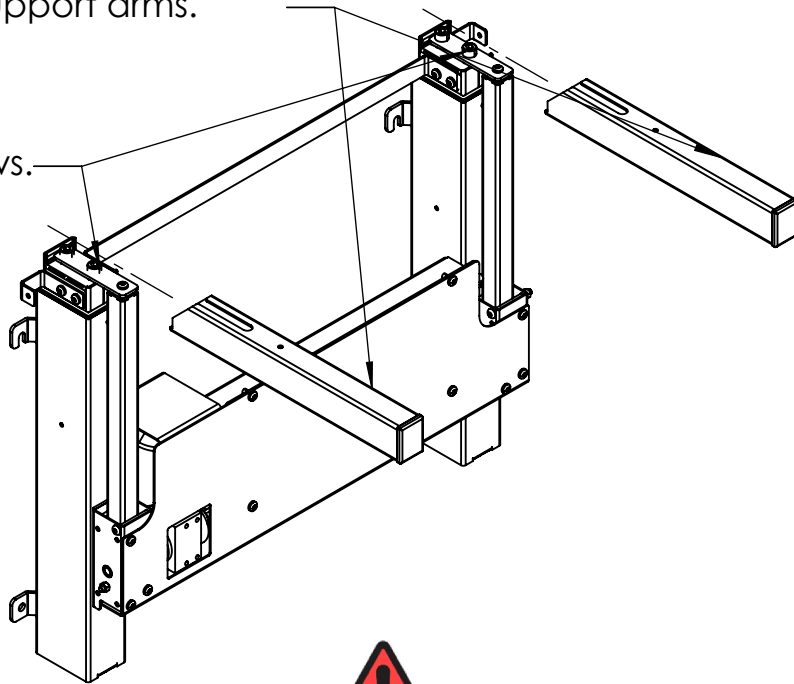


Install the top screws. Please leave a 10 mm gap between the wall and the screw head.

3.

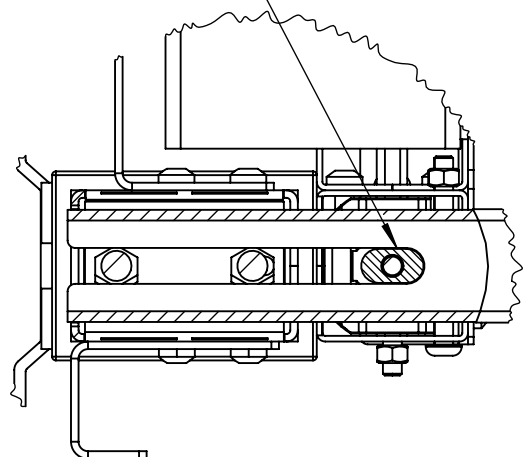
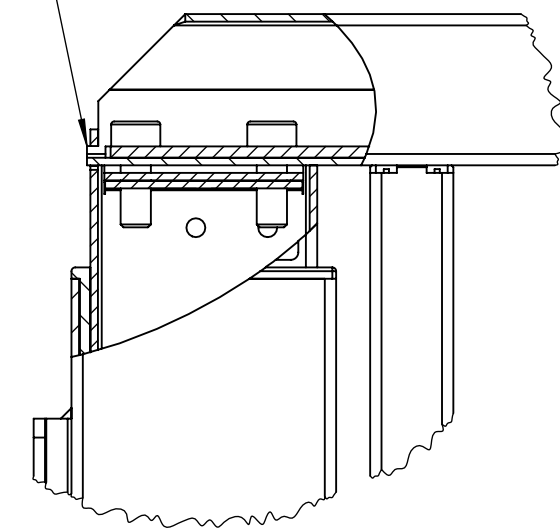
3.1 Install the basin support arms.

3.2 Tighten the screws.



Ensure the basin support arms are pushed to the rear most position before tightening the screws.

Ensure the lifting screw spline is in the cutout.



4.

4.2 Tighten the top screws.

4.1 Slide the lifting unit on top of the top screws. Use a spirit level to ensure the unit is installed level.

4.3 Insert and tighten the bottom screws.

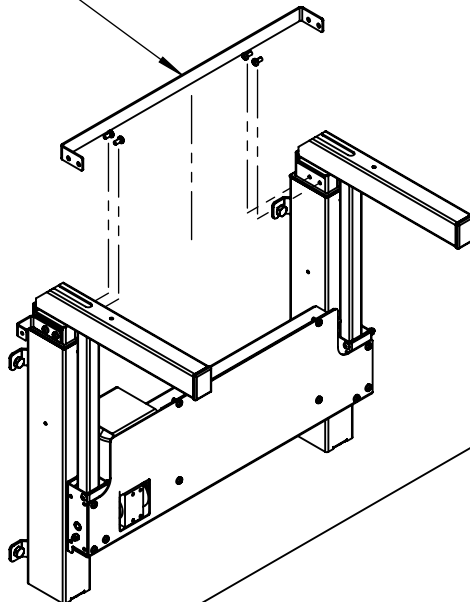


4.4 Plug the unit to an outlet and test the unit.

IMPORTANT NOTICE! While testing, keep hands and tools away from the open mechanism. Before continuing work, unplug the unit.

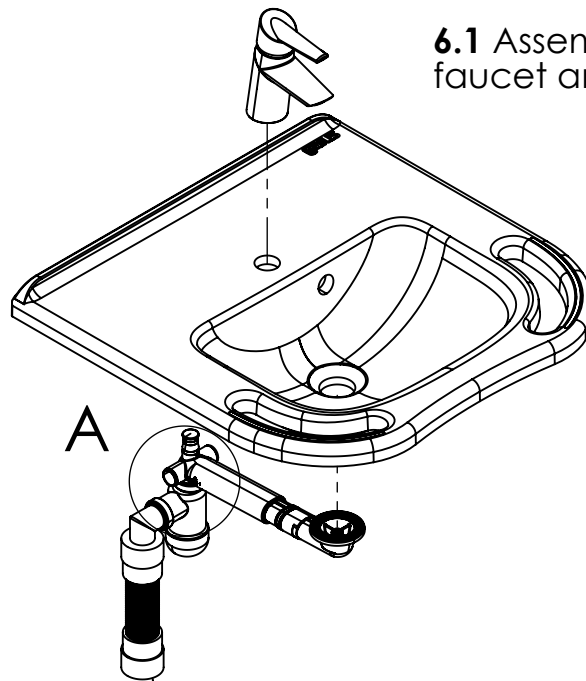
5.

Remove the shipping support and discard it.



6.

6.1 Assemble the basin, faucet and plumbing.

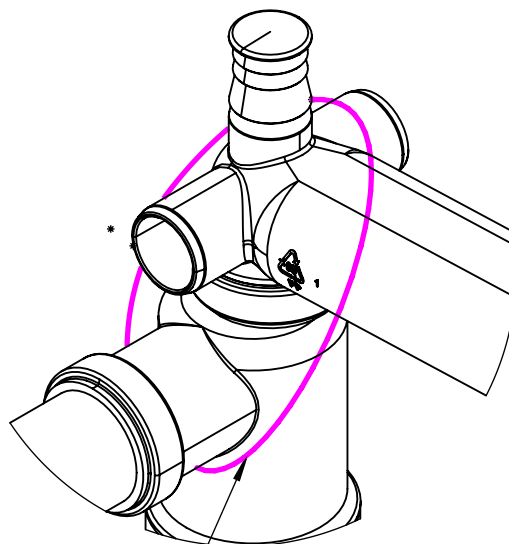


The flexible drain tube must be fastened with hose clamps from both ends.

NOTICE! Please use a faucet with flexible 350 mm inlet tubing with a G 1/2 fitting.

DETAIL A

SCALE 1 : 2



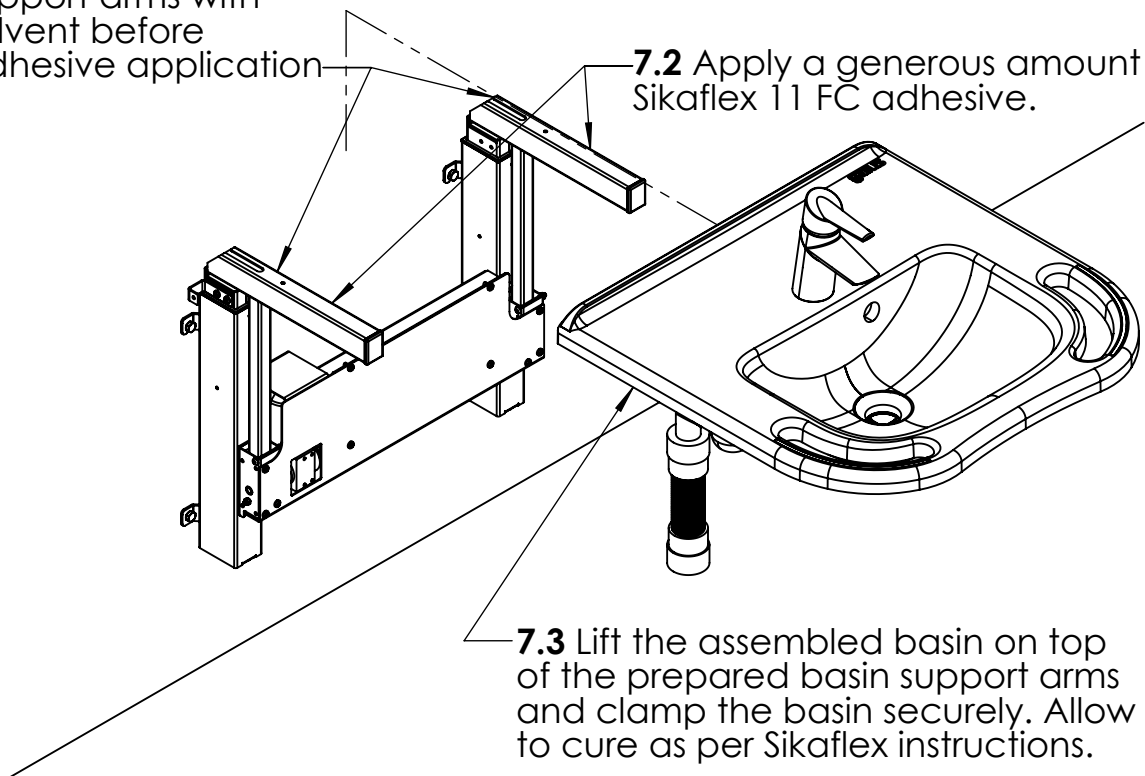
6.2 Fasten the water-lock to the top position with a zip-tie.

7.

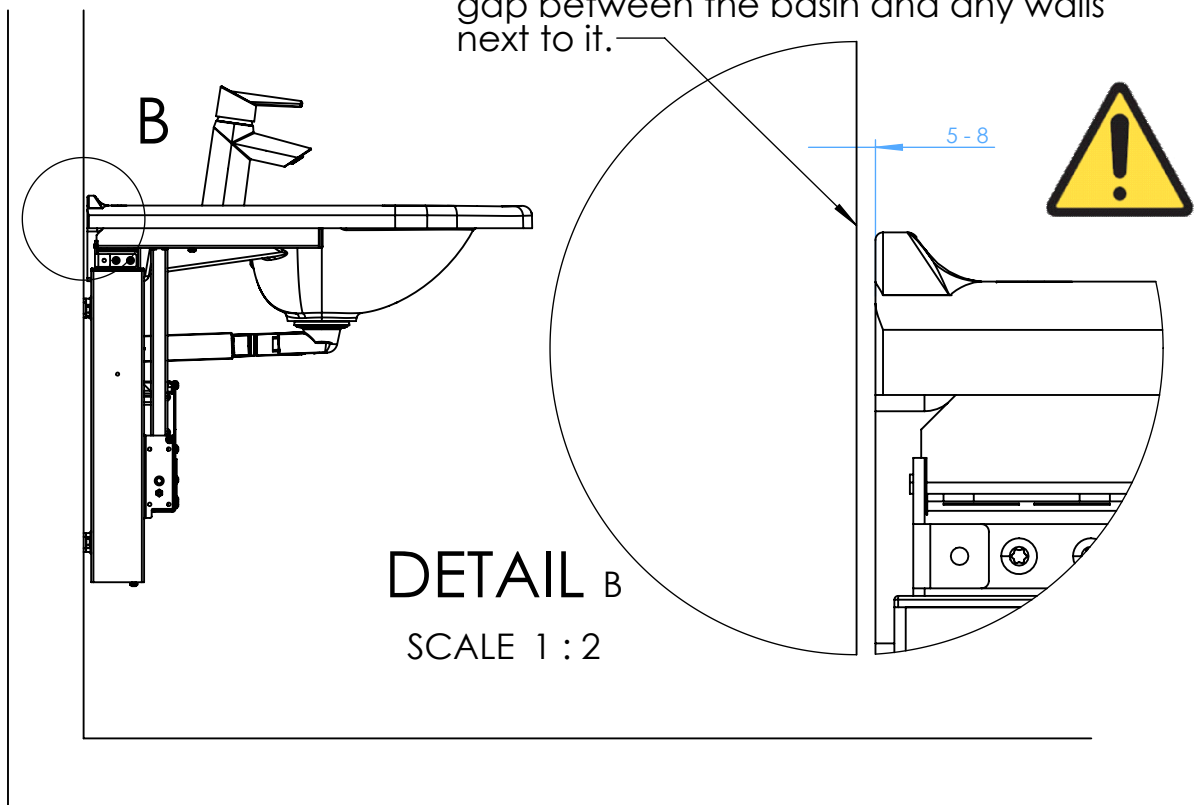
7.1 Clean the basin support arms with solvent before adhesive application

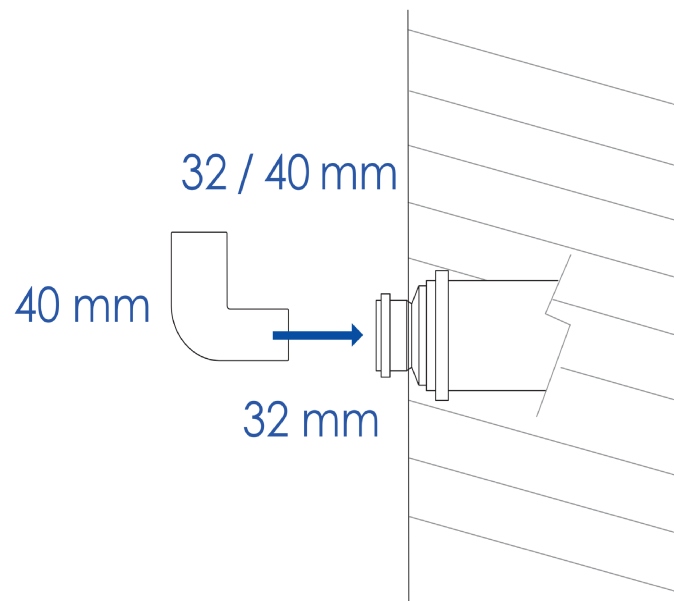
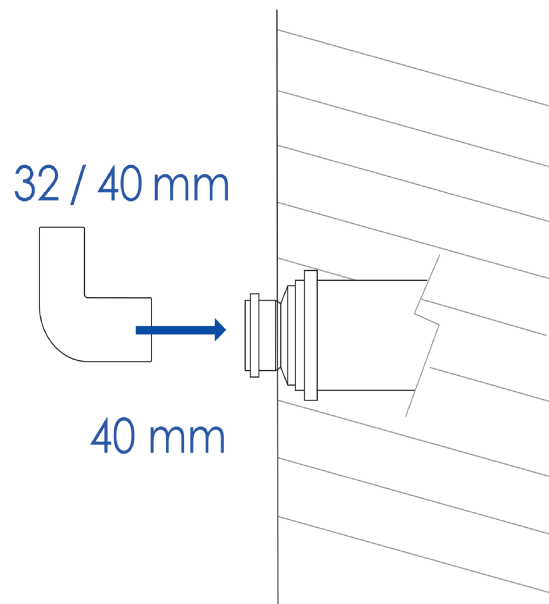
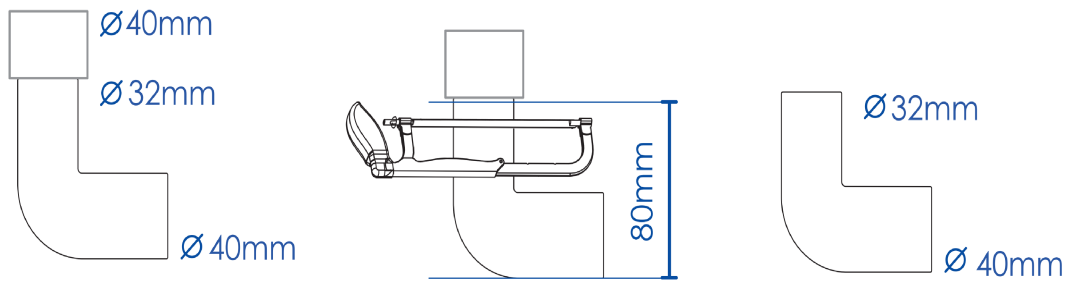
7.2 Apply a generous amount of Sikaflex 11 FC adhesive.

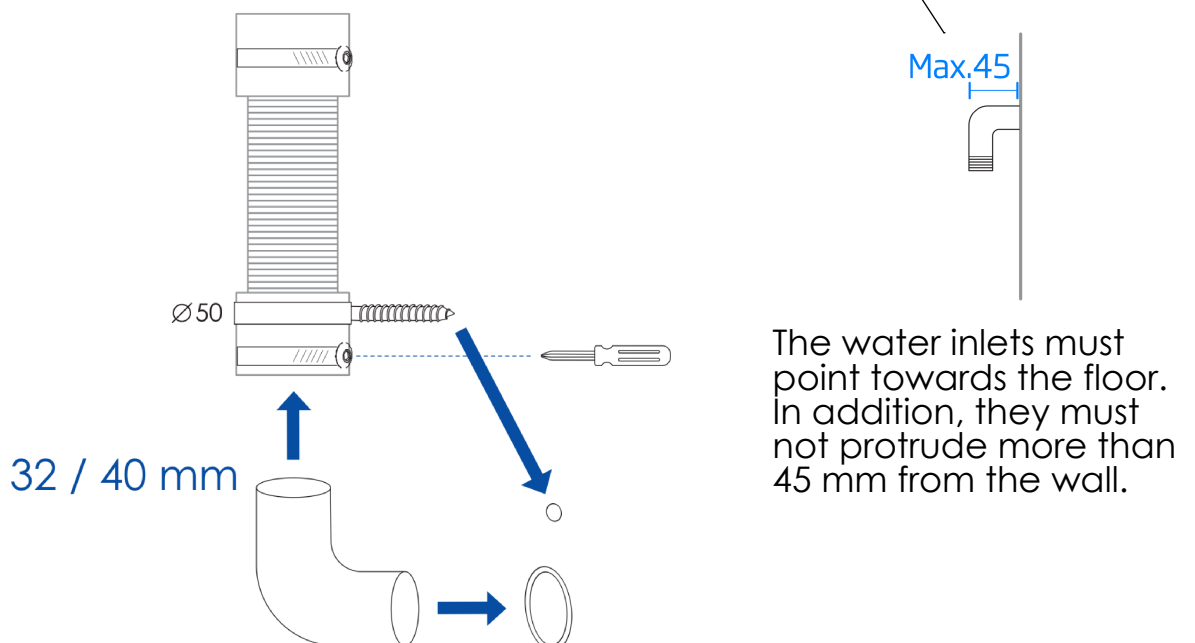
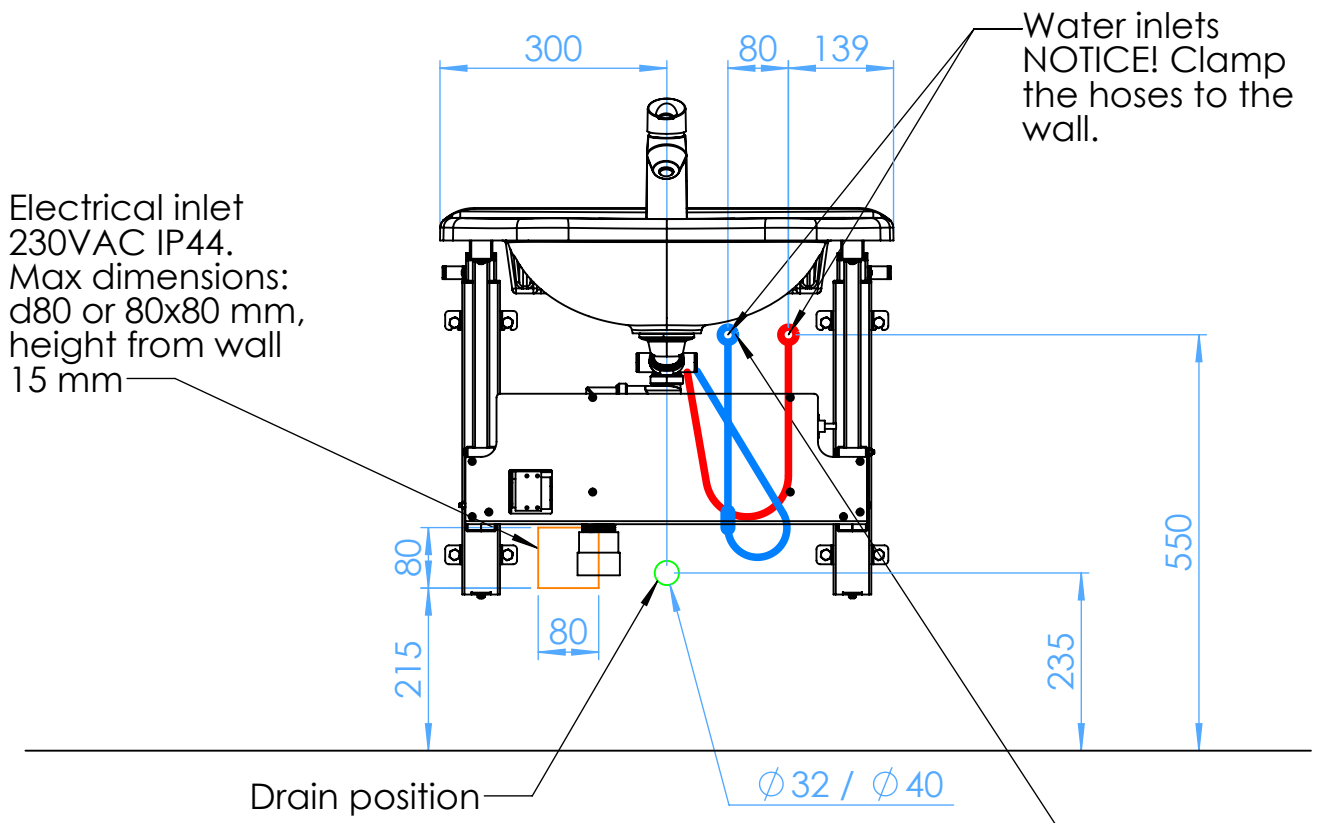
7.3 Lift the assembled basin on top of the prepared basin support arms and clamp the basin securely. Allow to cure as per Sikaflex instructions.



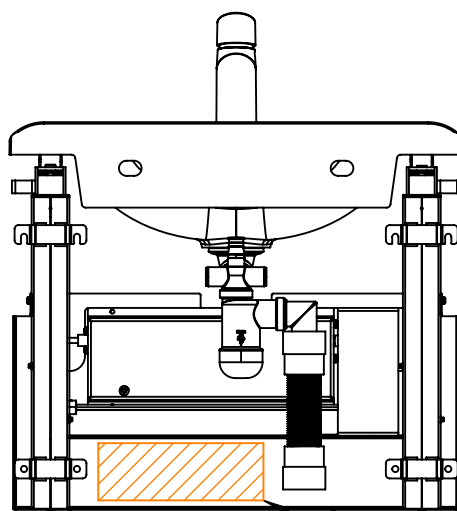
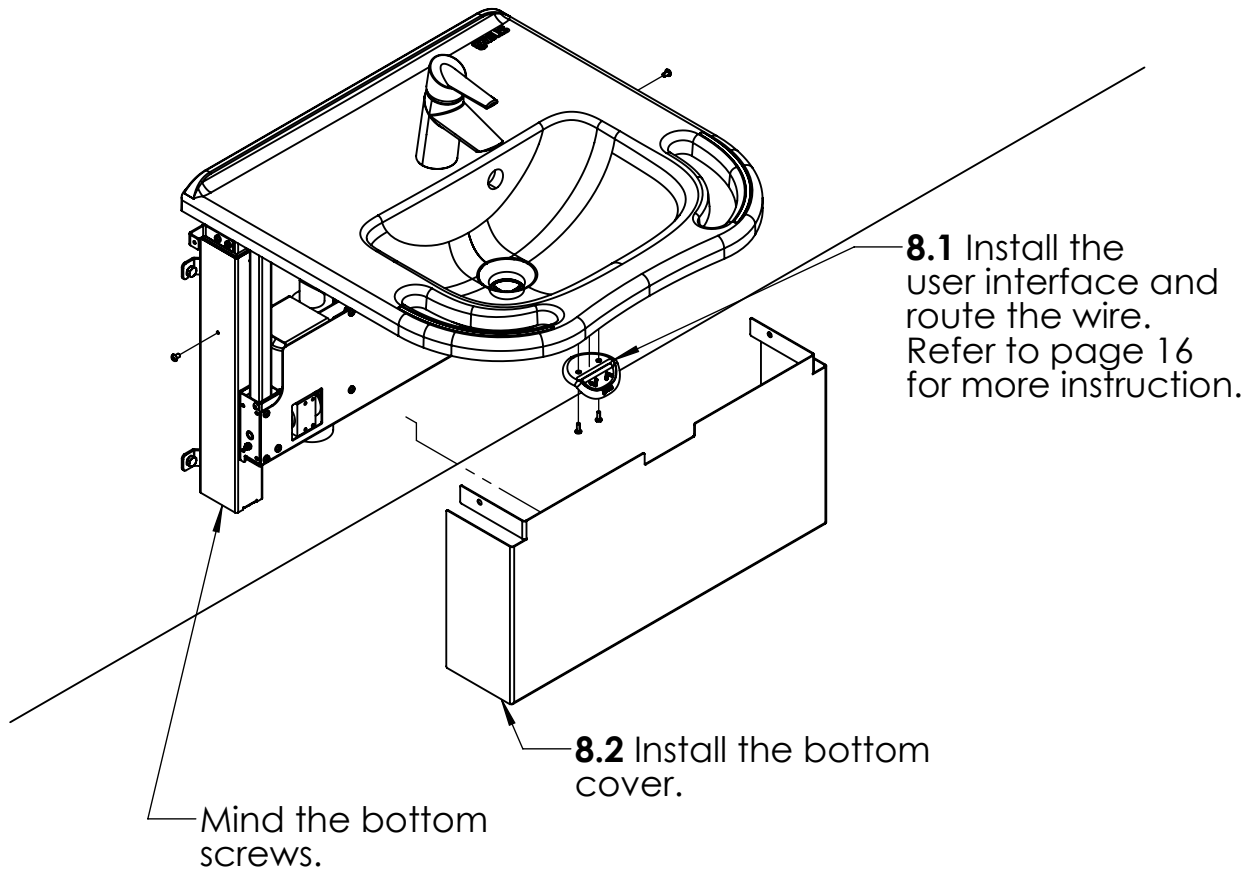
IMPORTANT NOTICE! Leave a 5-8 mm gap between the basin and any walls next to it.



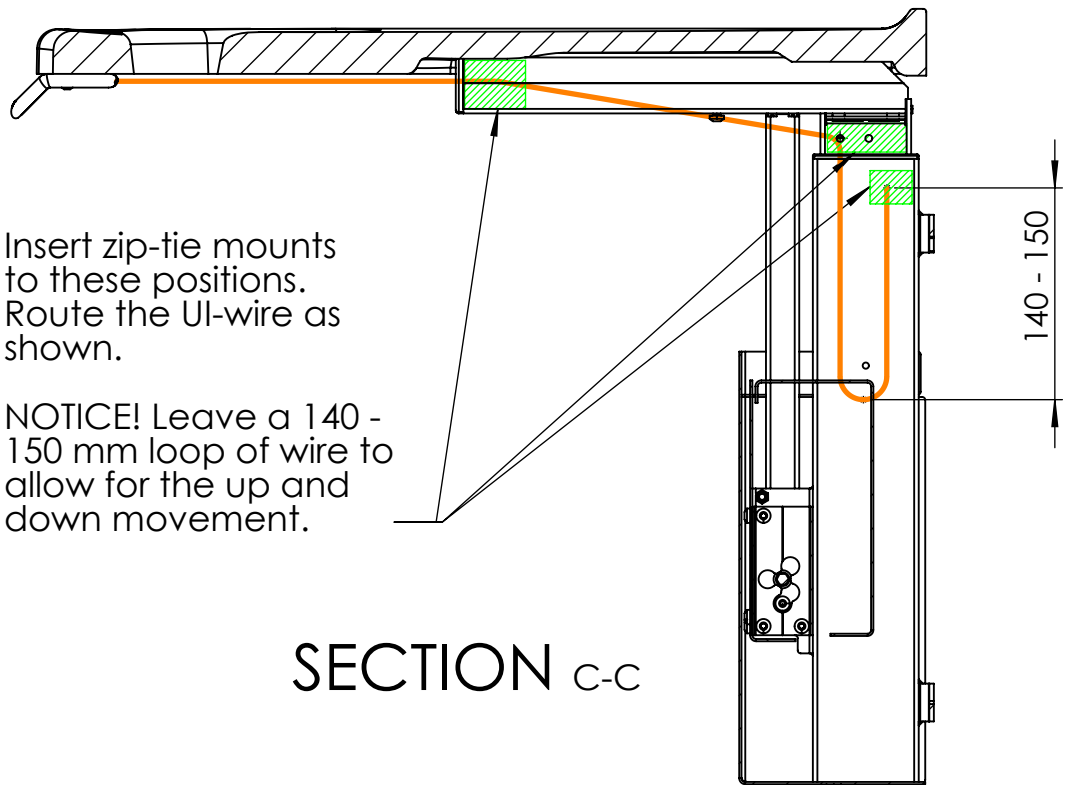
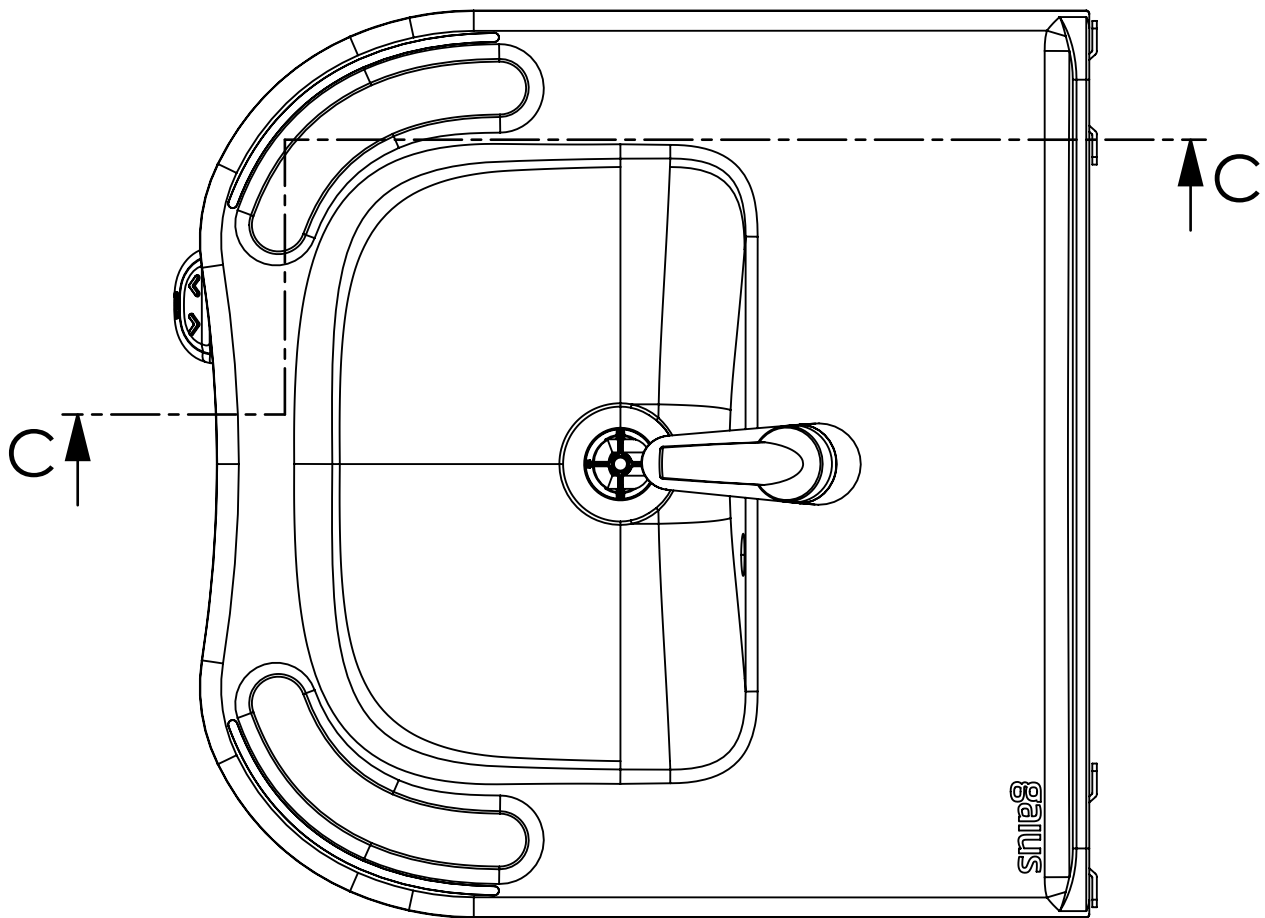




8.



8.3 Gather and fasten the excess power cord here.

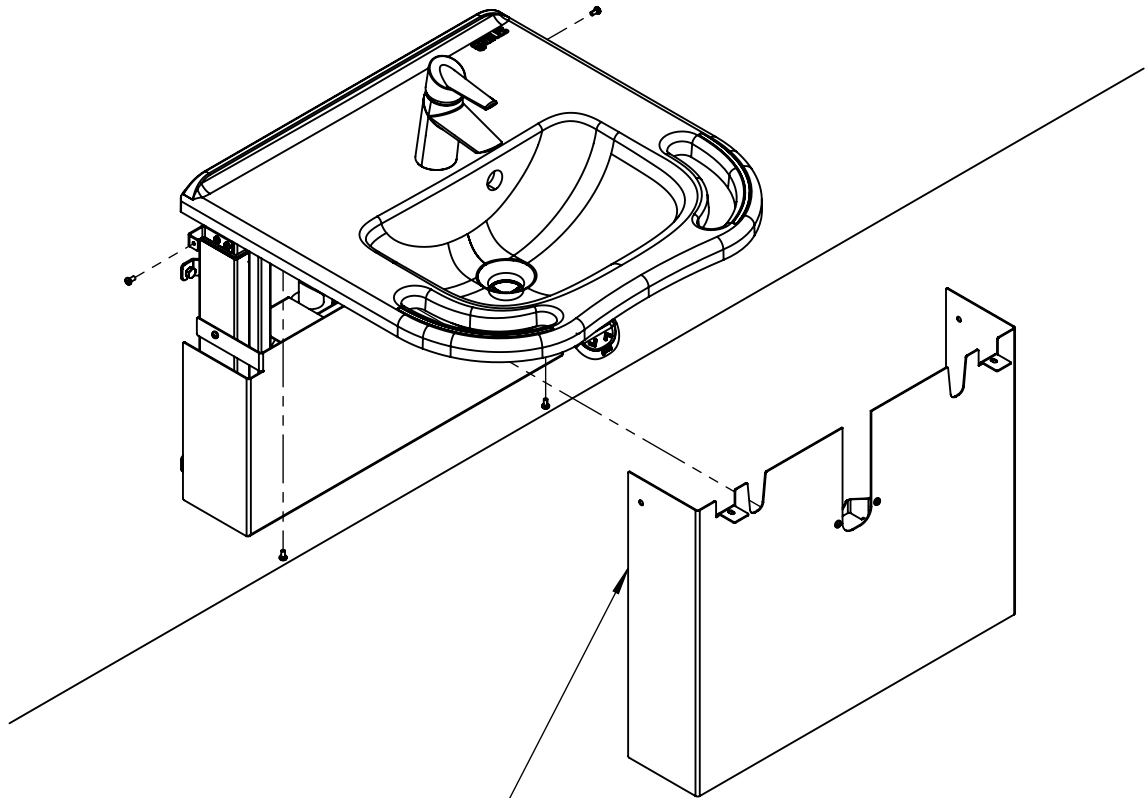


Insert zip-tie mounts to these positions. Route the UI-wire as shown.

NOTICE! Leave a 140 - 150 mm loop of wire to allow for the up and down movement.

SECTION C-C

9.



9.1 Install the top cover.

9.2 Perform a final test to ensure full function