

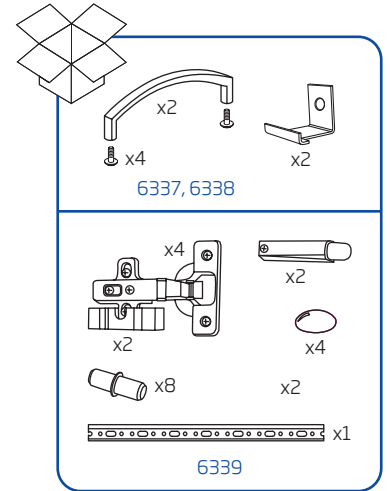
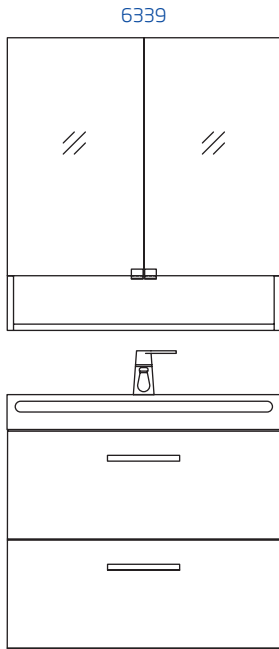
Life & Senior cabinets

INSTALLATION INSTRUCTIONS

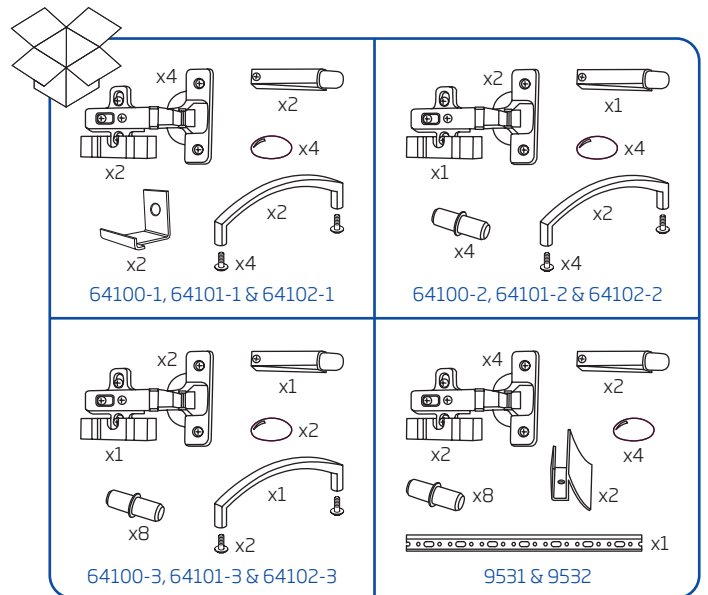
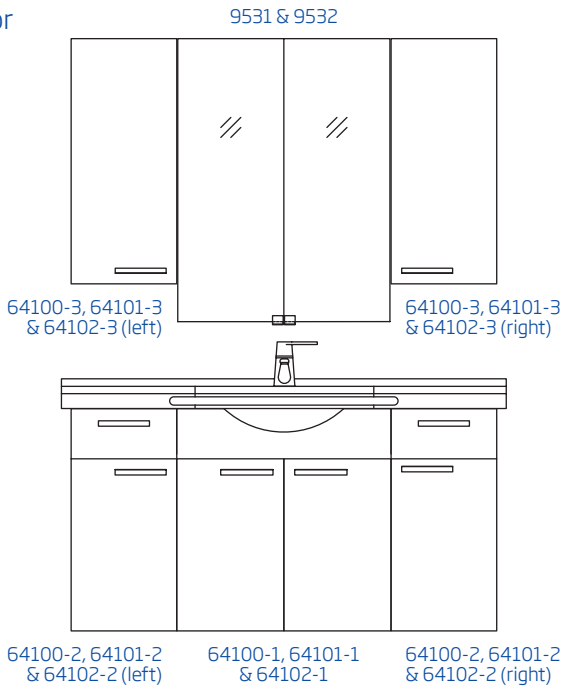
Life 6337, 6338 & 6339

Senior 64100-1, 64101-1, 64102-1, 64100-2, 64101-2, 64102-2, 64100-3, 64101-3, 64102-3, 9531 & 9532

Life

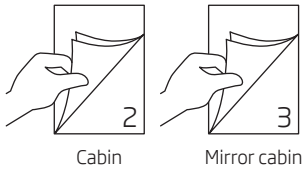


Senior

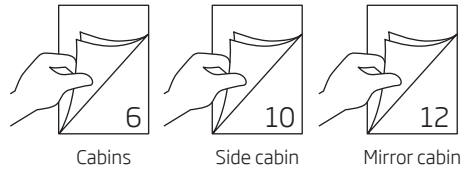


The installer must be a professional.

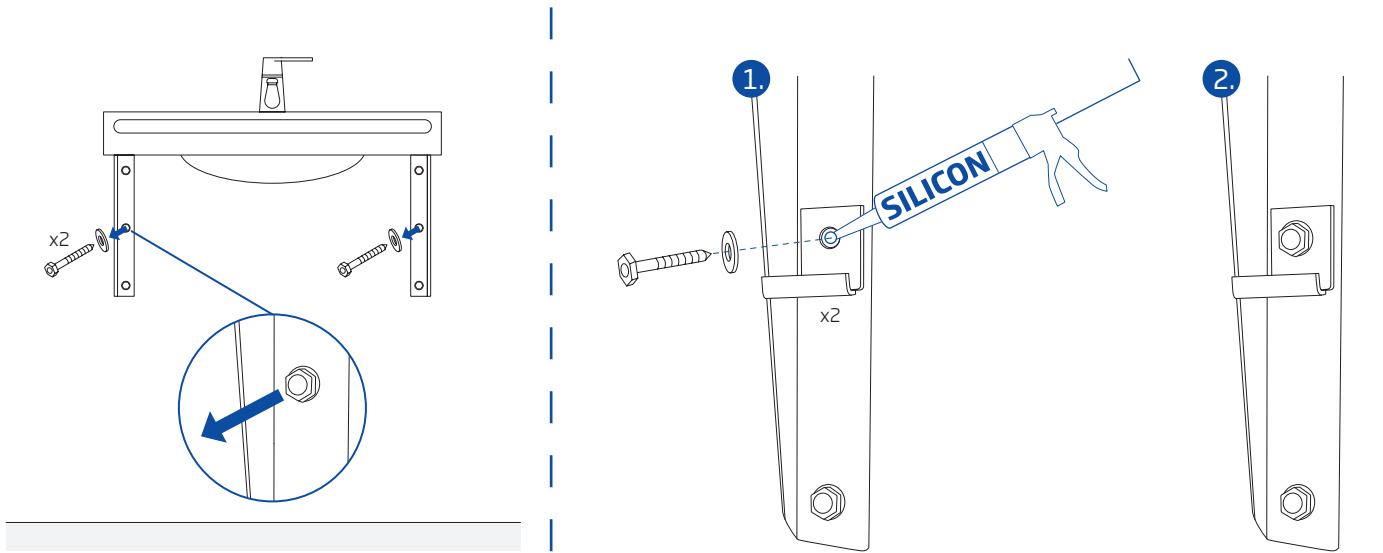
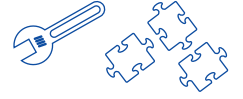
Life



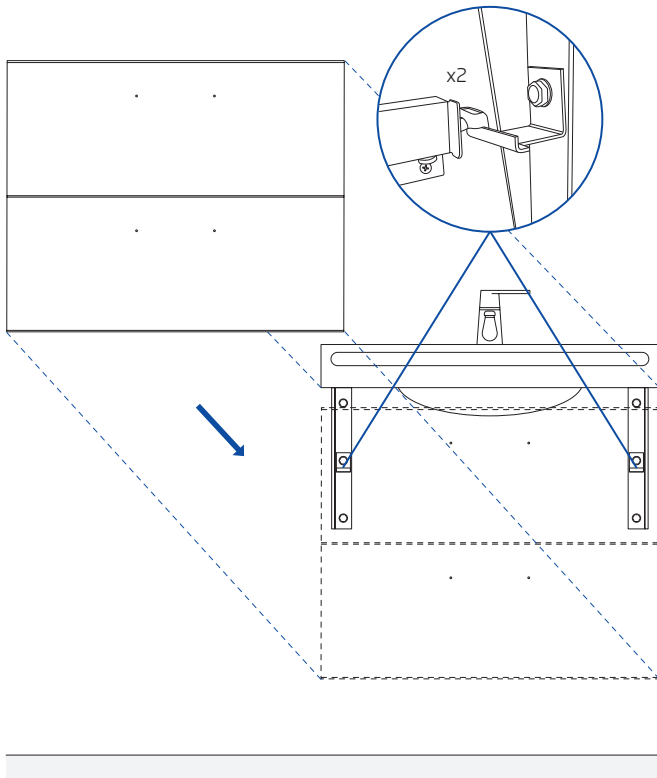
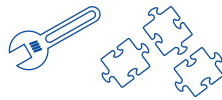
Senior



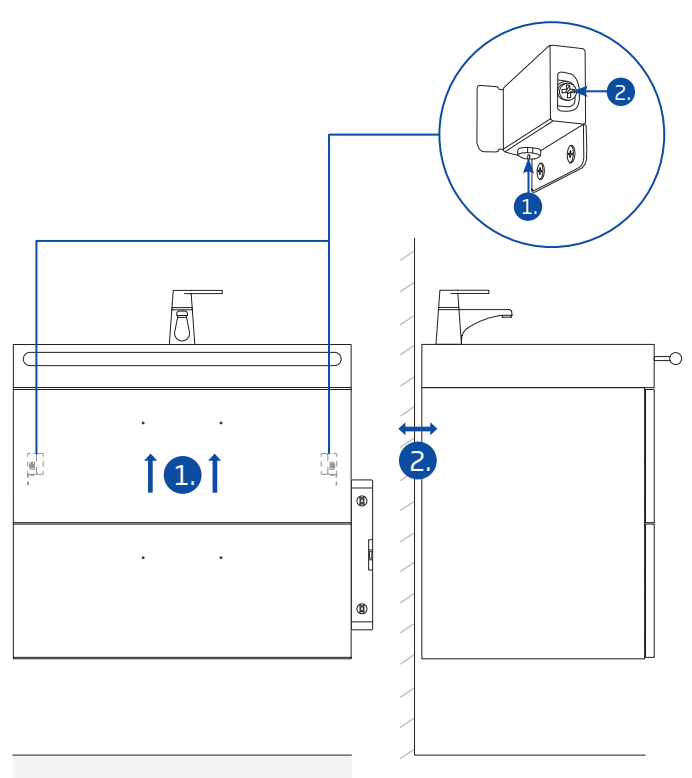
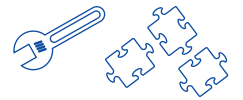
A Life



B Life



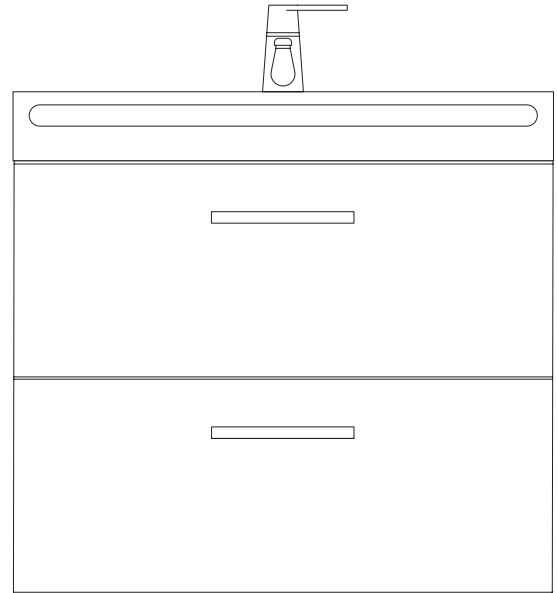
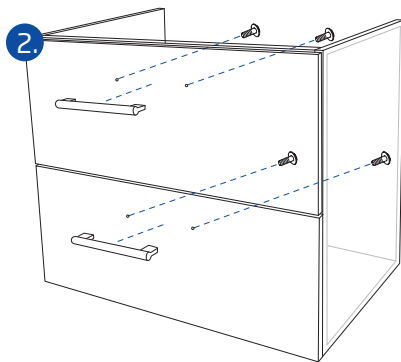
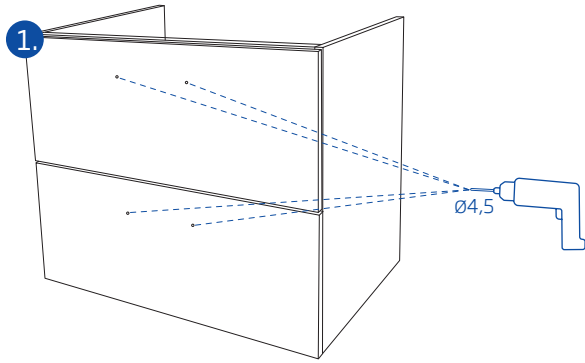
C Life



D Life



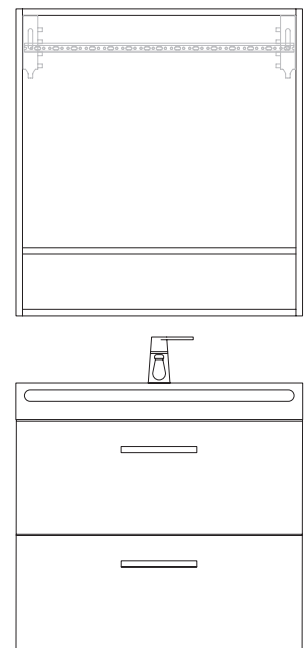
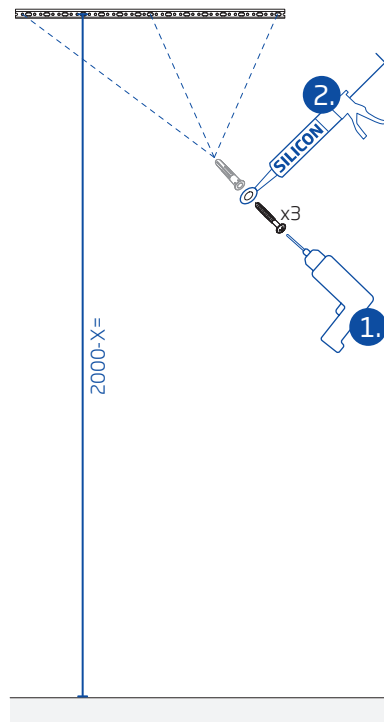
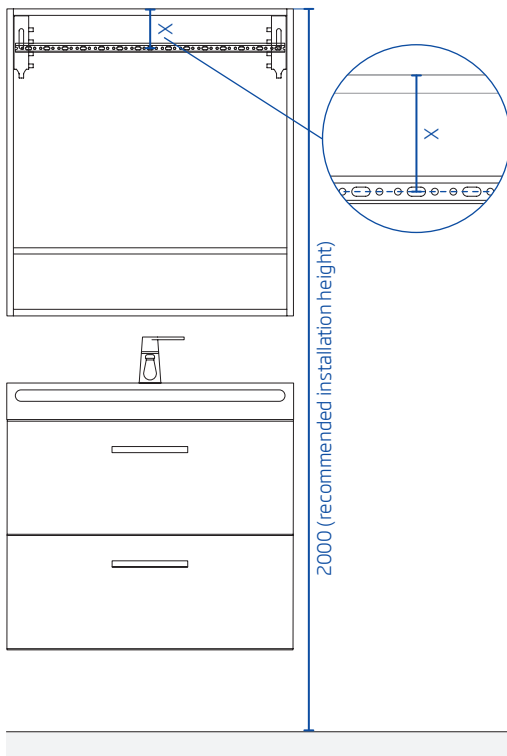
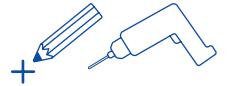
Life 6337, 6338 & 6340



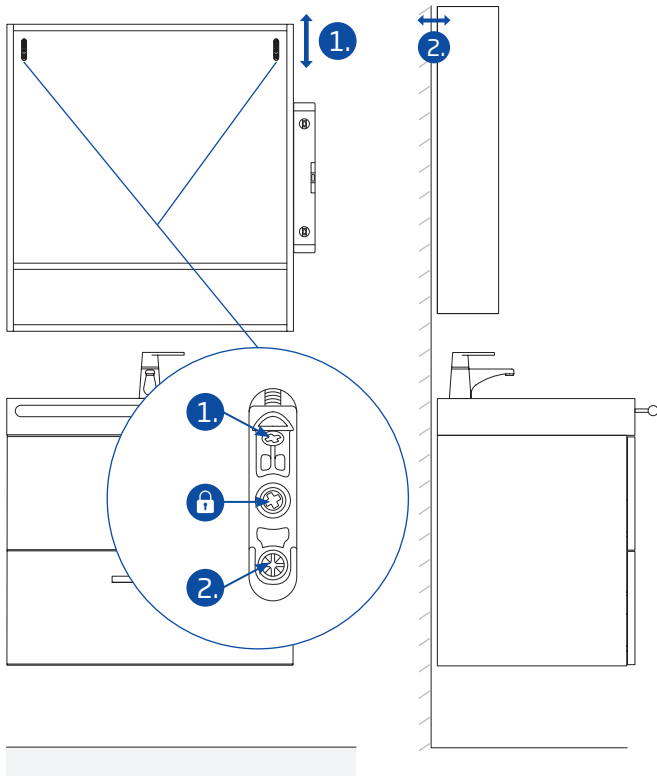
E1 Life



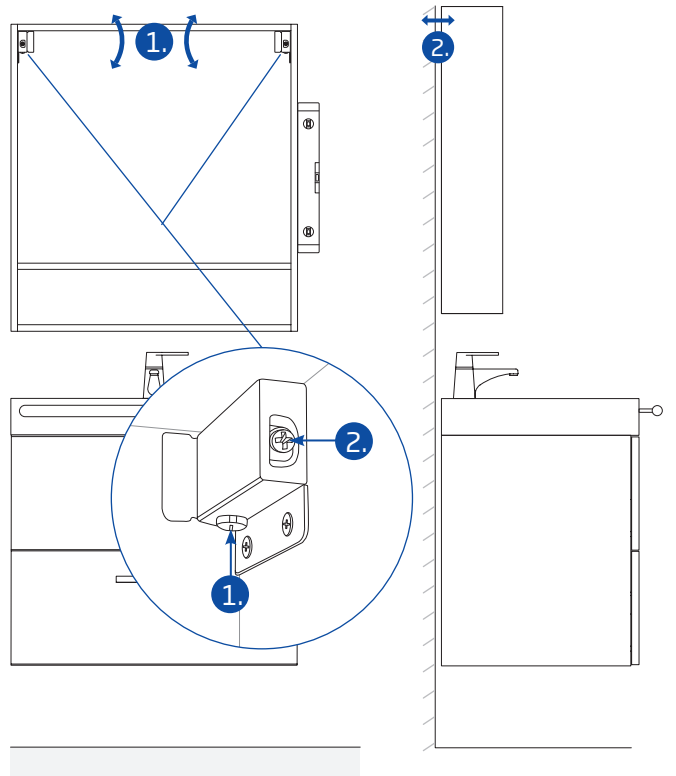
E2 Life



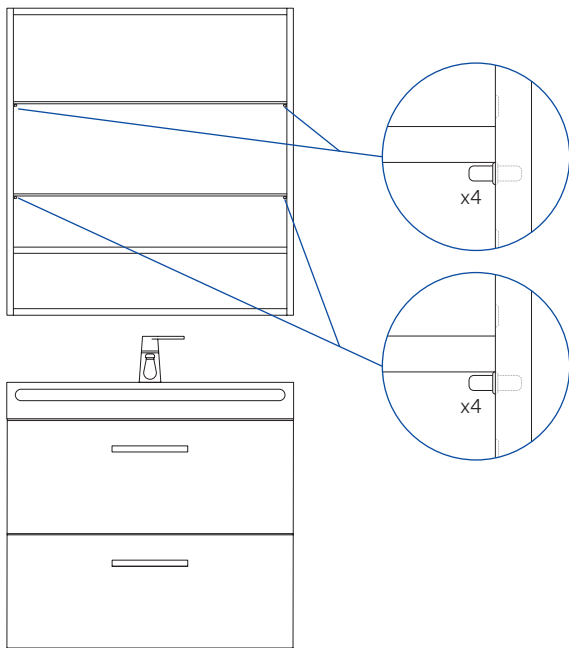
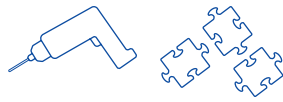
F1 Life, type A



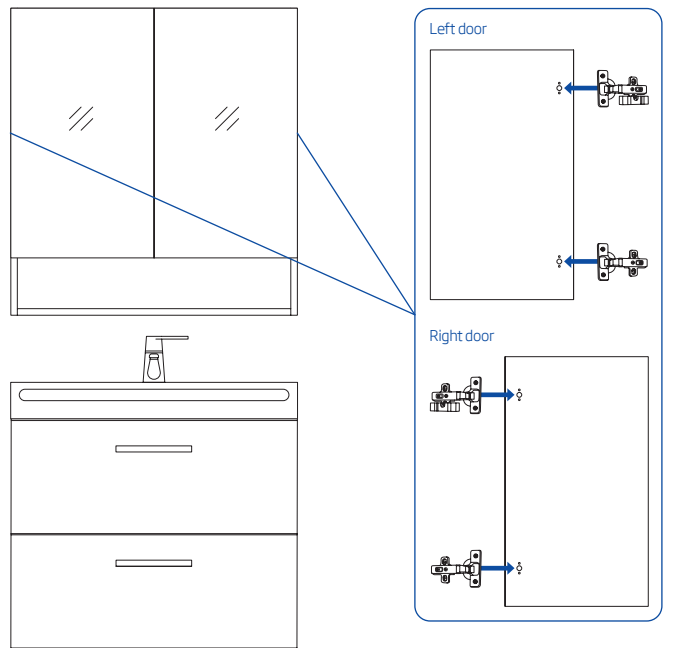
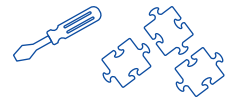
F2 Life, type B



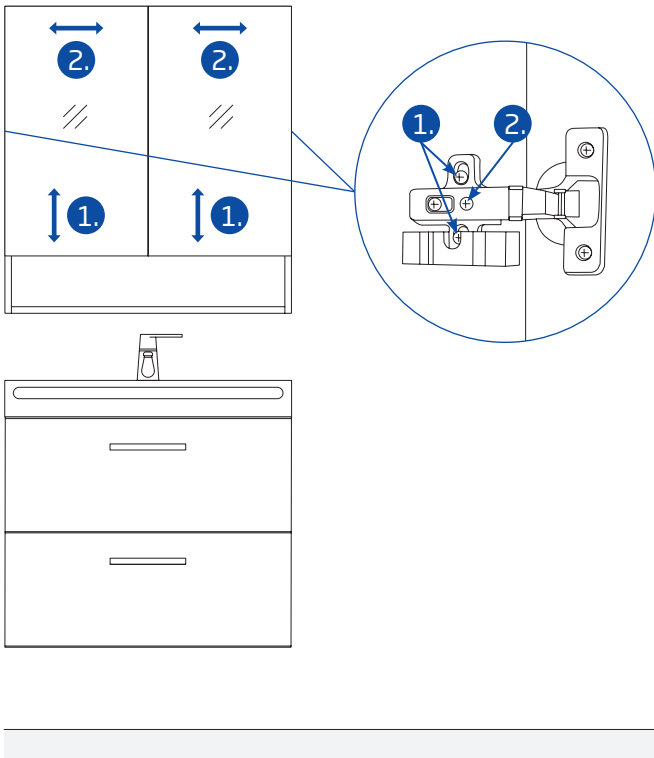
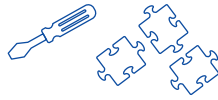
G Life



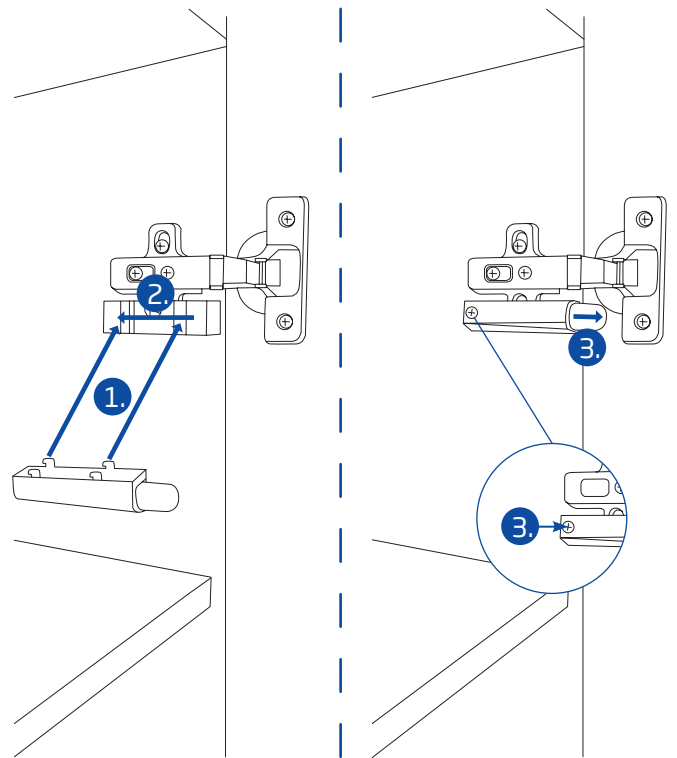
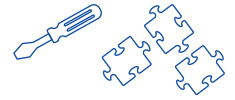
H1 Life



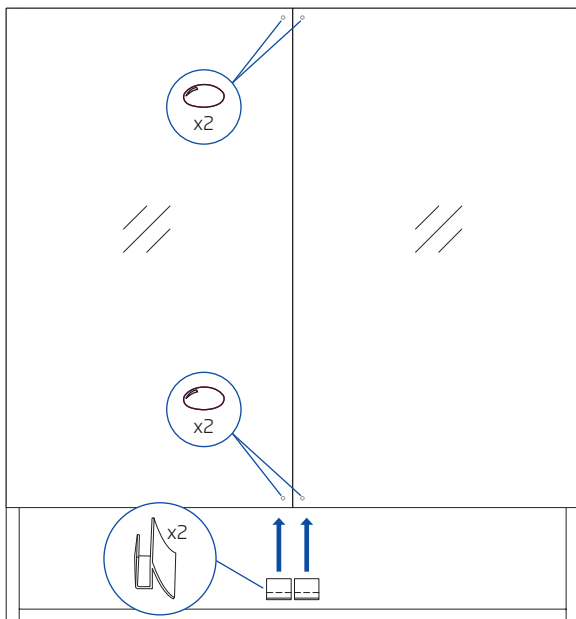
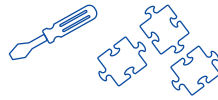
H2 Life



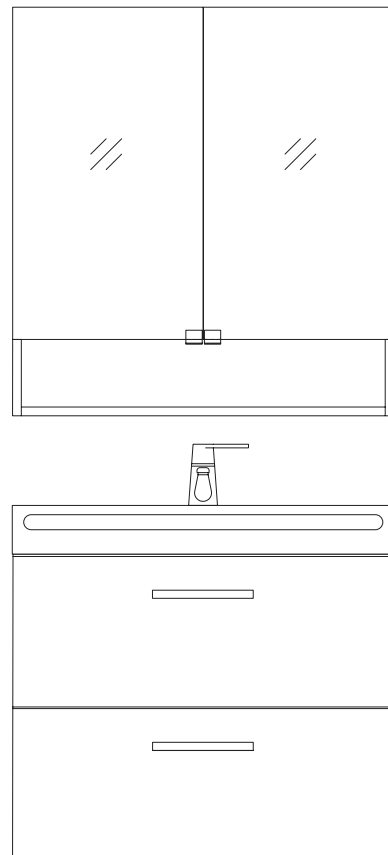
Life



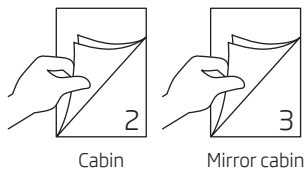
J Life



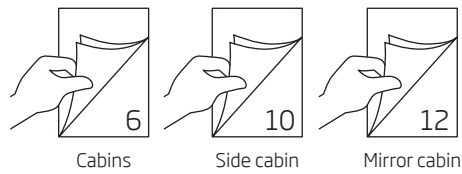
Life 6339



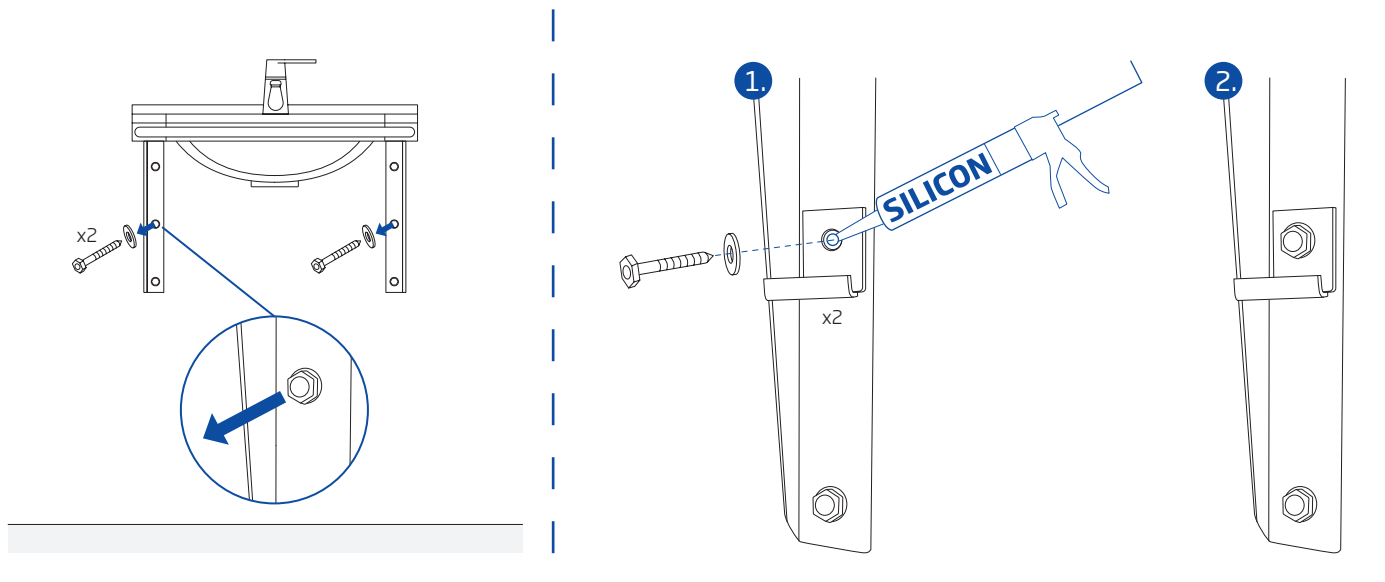
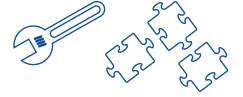
Life



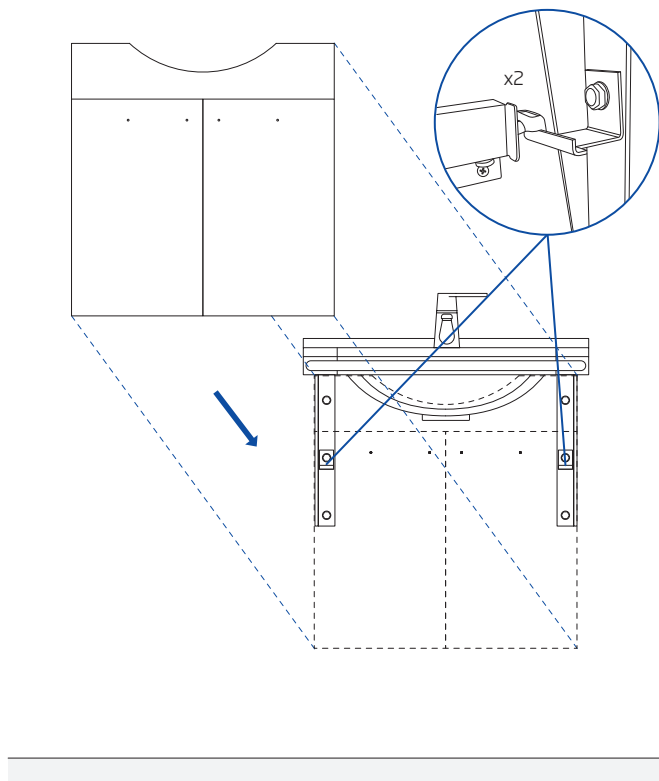
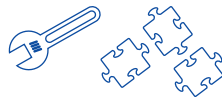
Senior



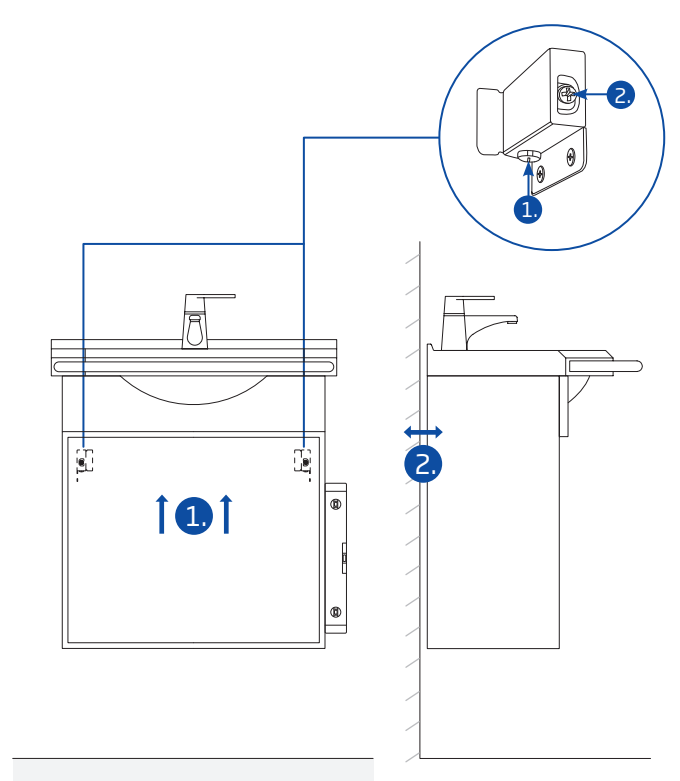
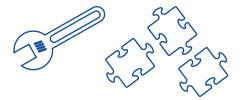
A Senior



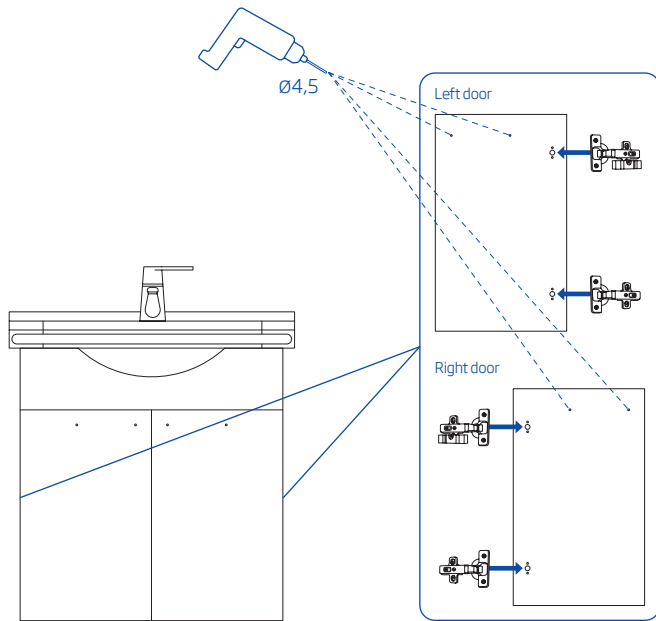
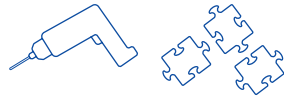
B Senior



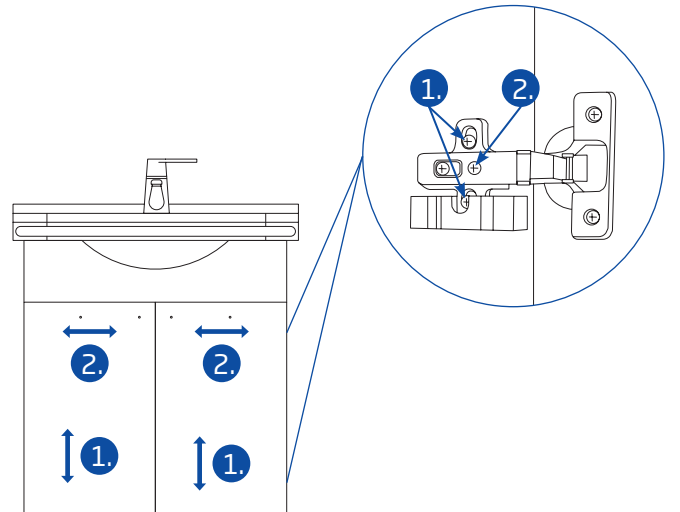
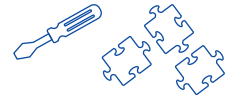
C Senior



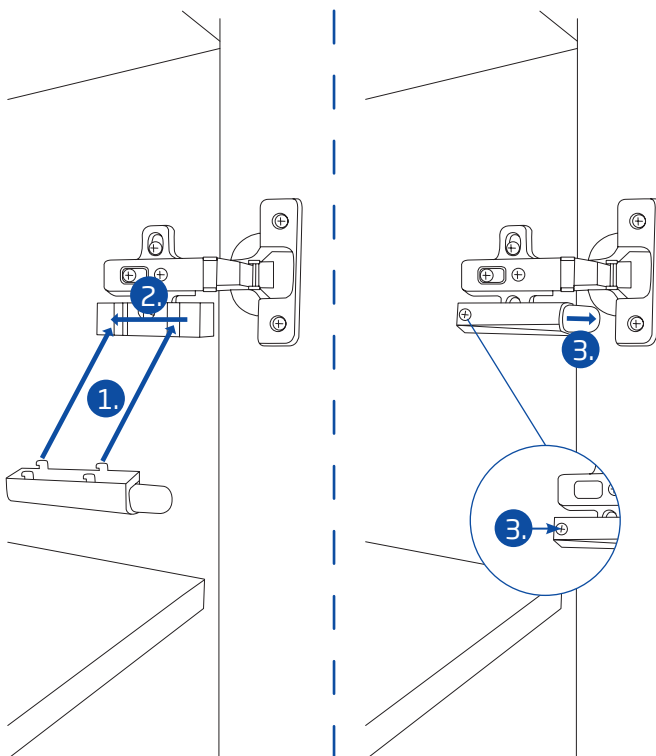
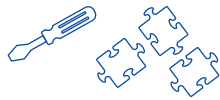
D1 Senior



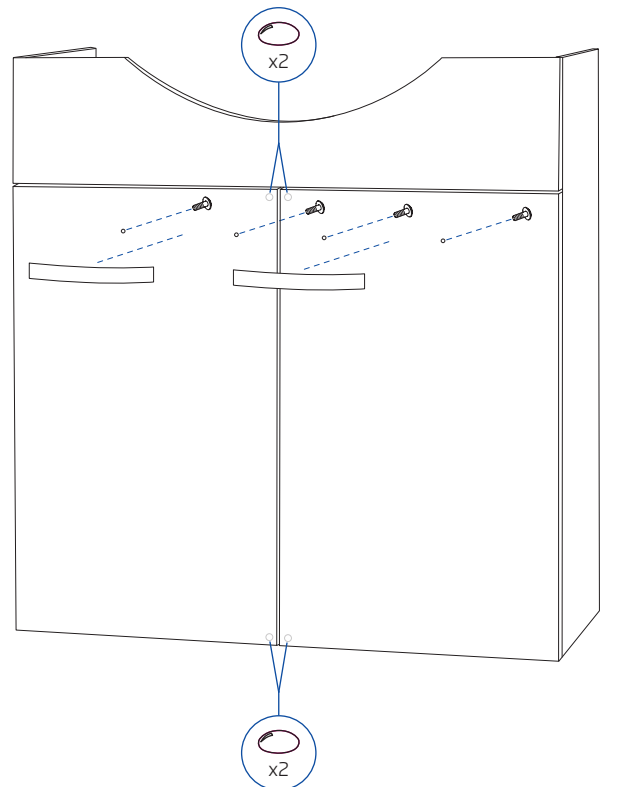
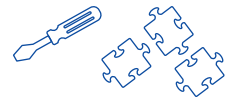
D2 Senior



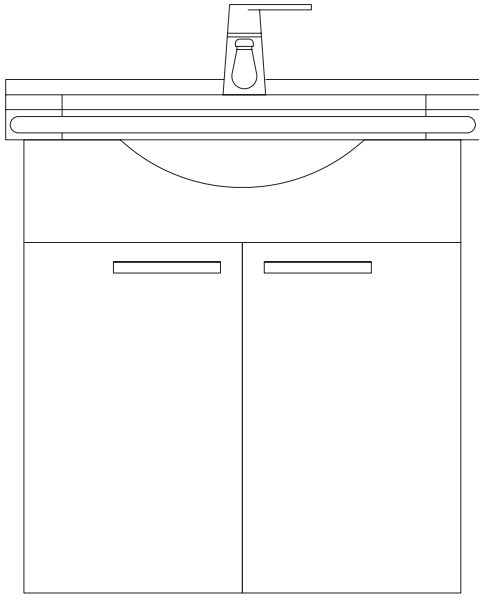
E Senior



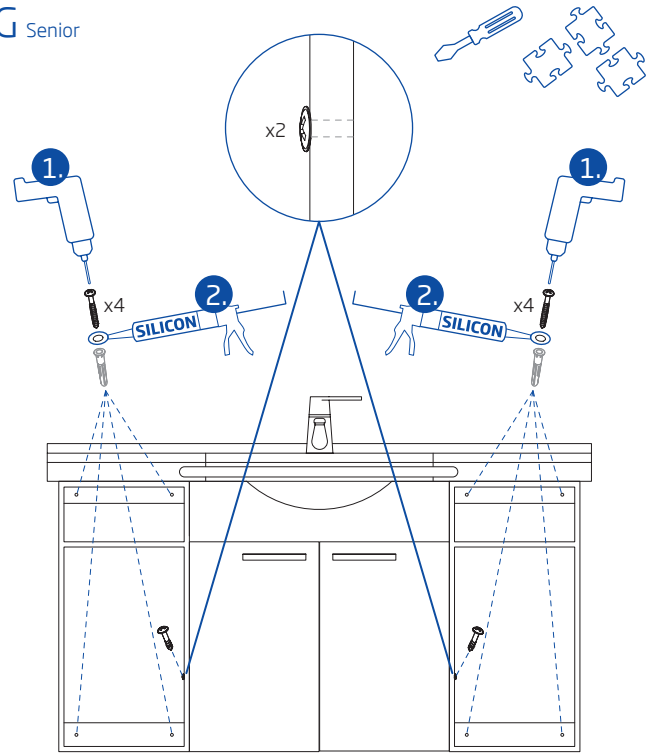
F Senior



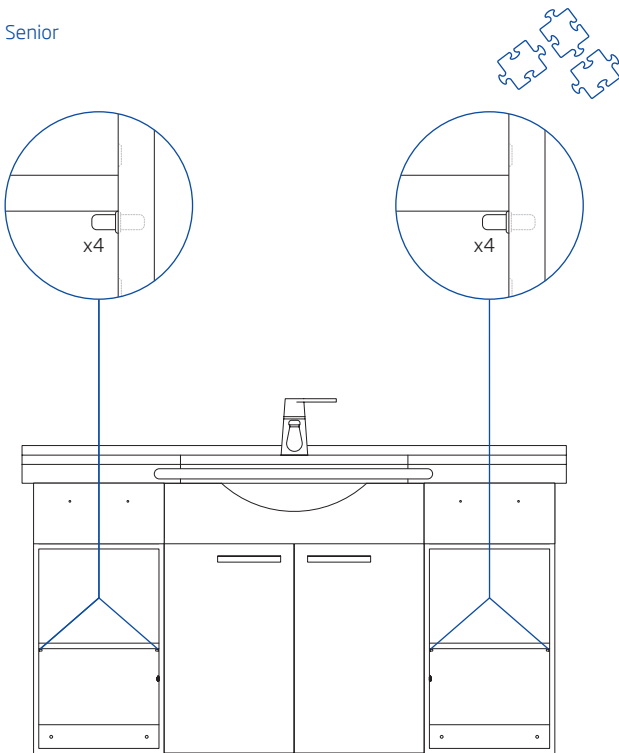
Senior 64100-1/64101-1/64102-1



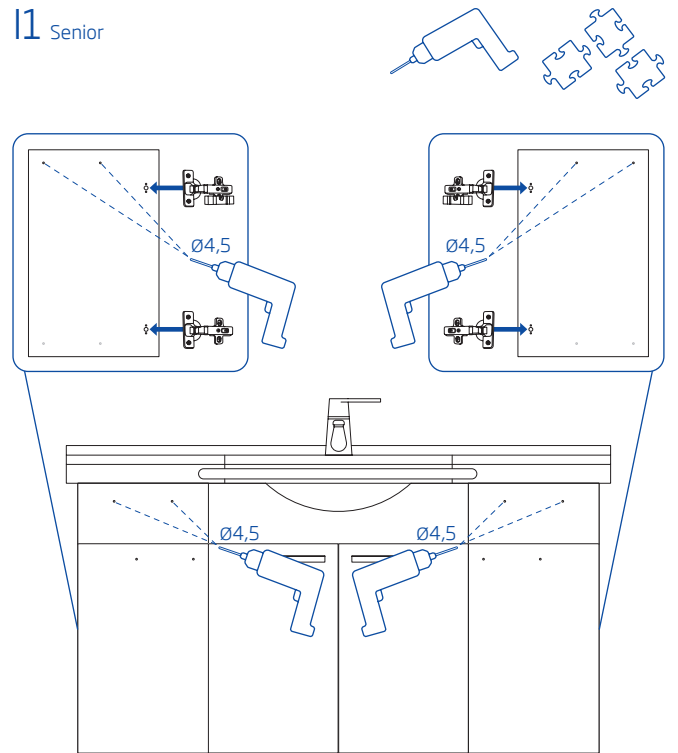
G Senior



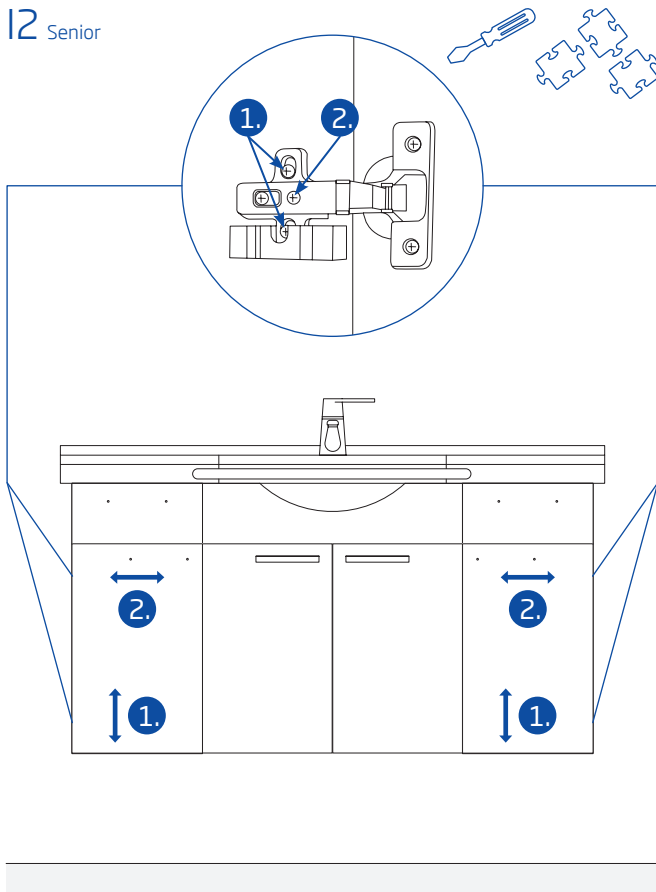
H Senior



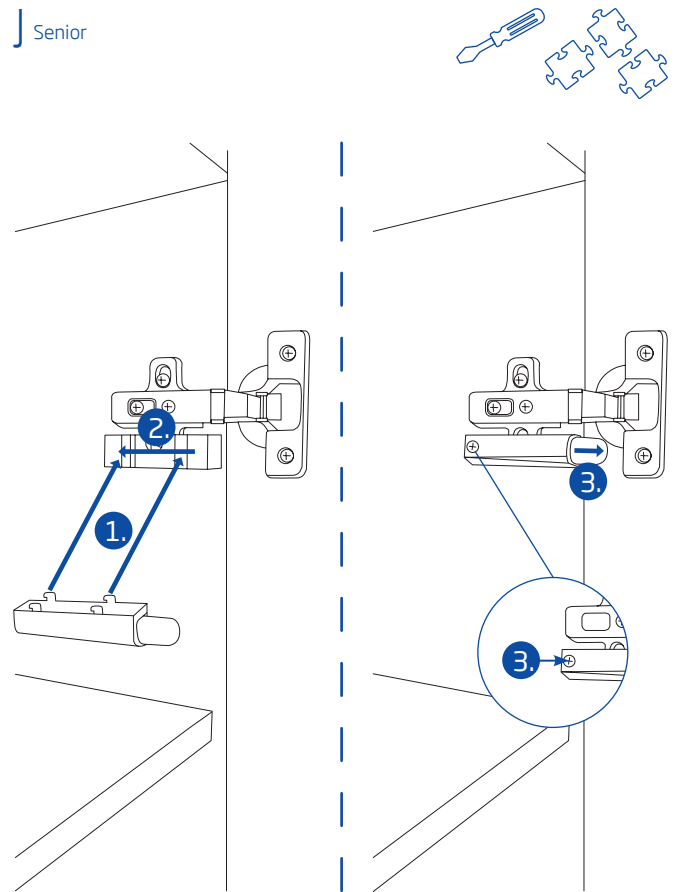
I Senior



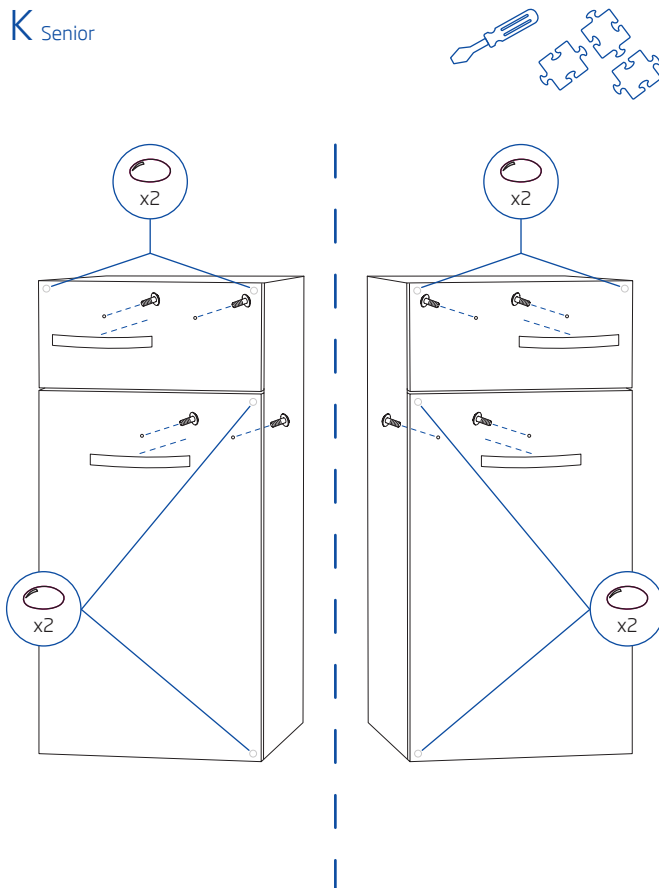
I2 Senior



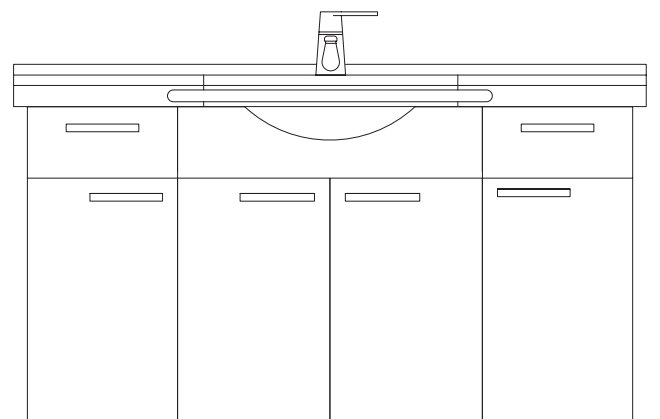
J Senior



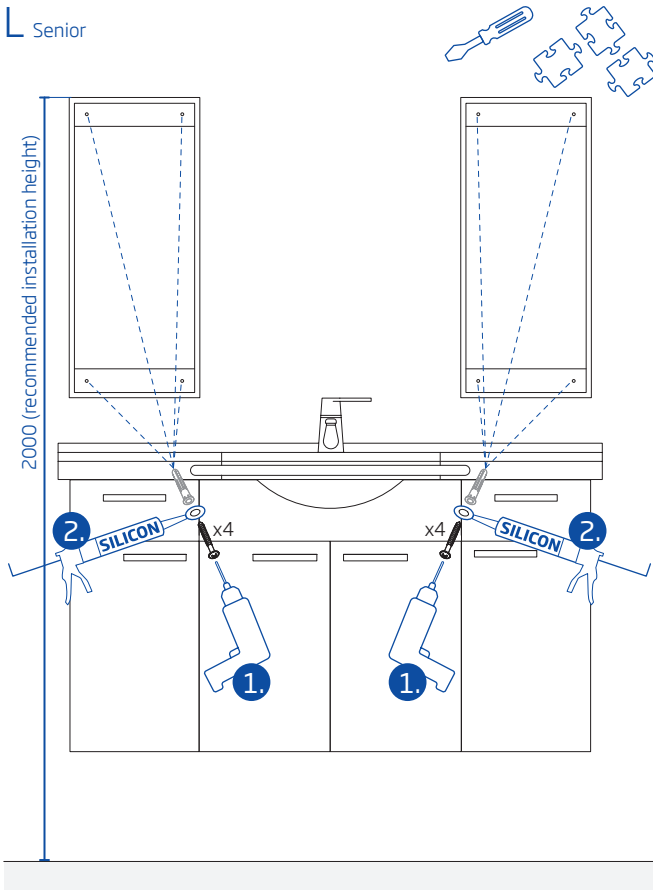
K Senior



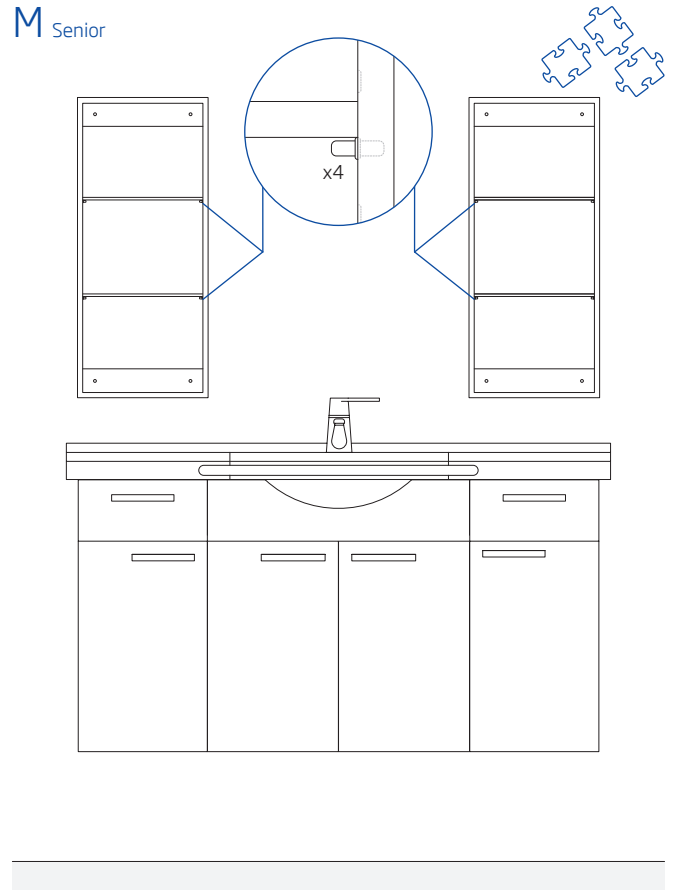
Senior 64100-1/64101-1/64102-1 & 64100-2/64101-2/64102-2



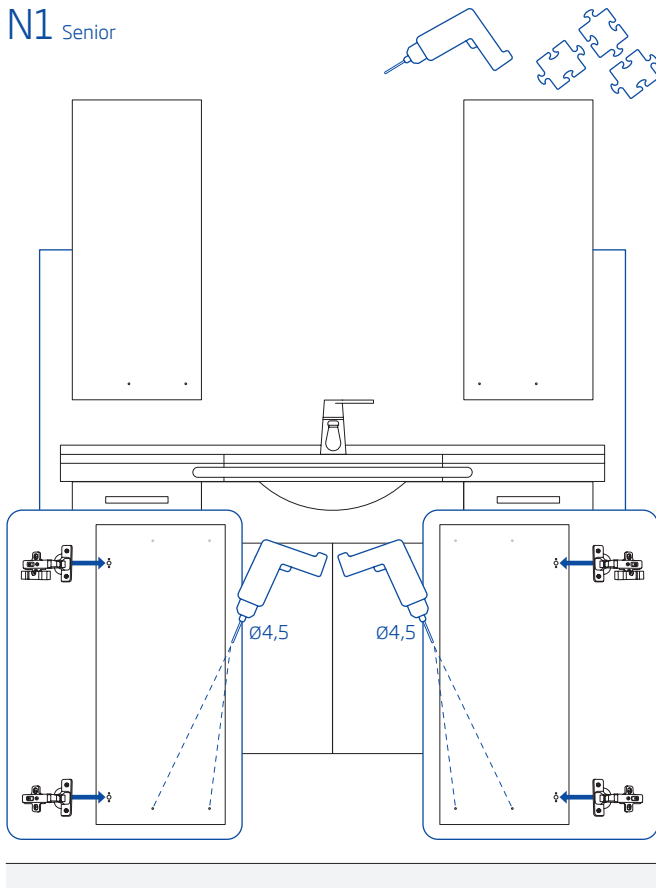
L Senior



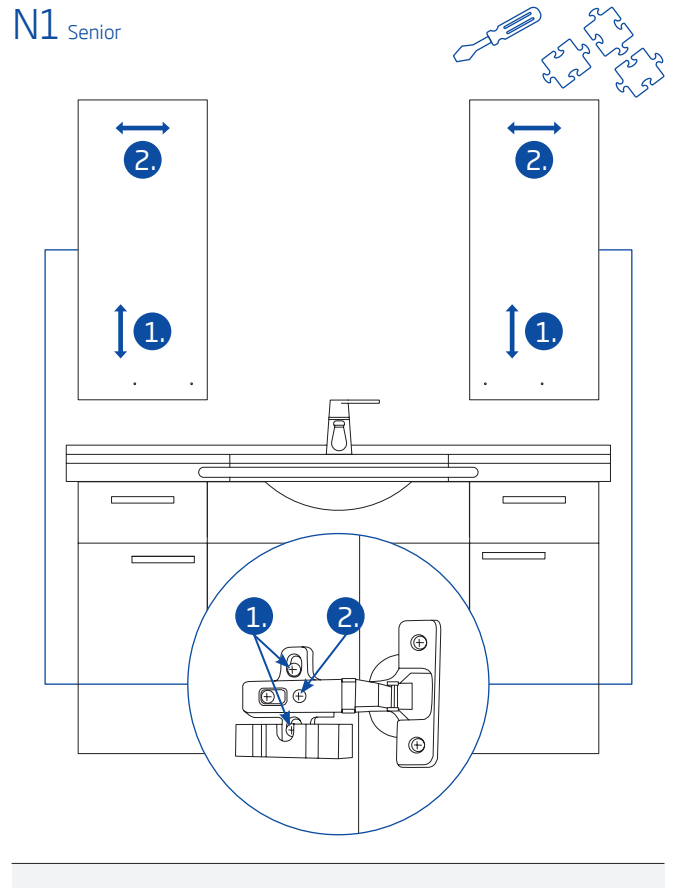
M Senior



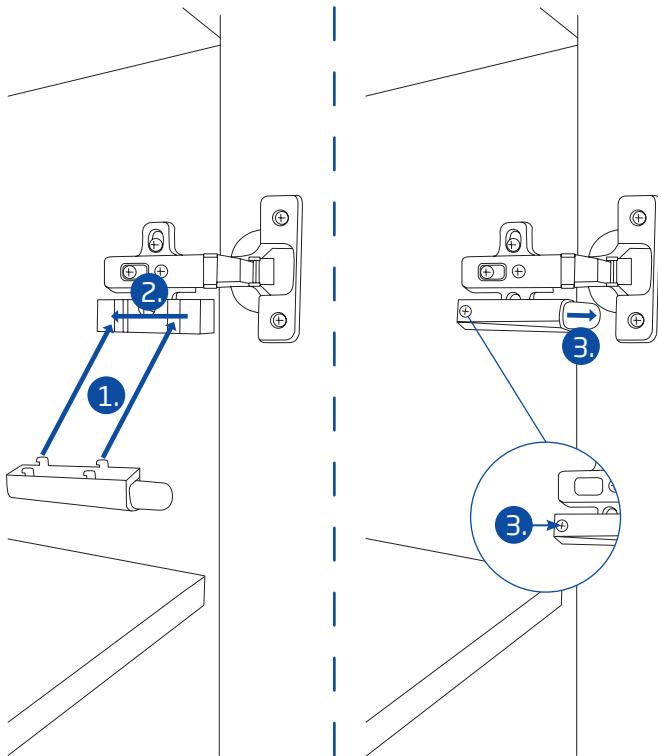
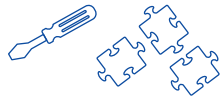
N1 Senior



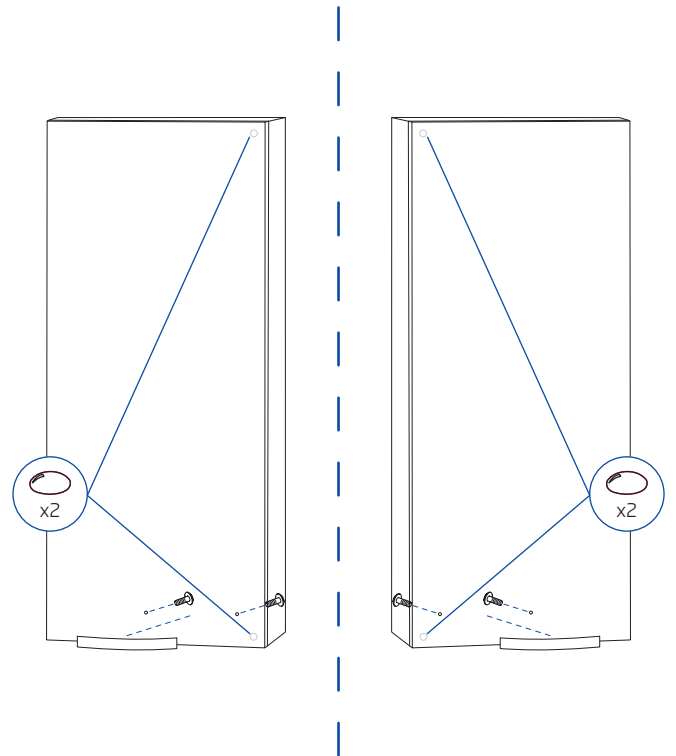
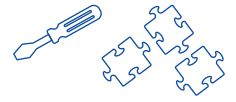
N1 Senior



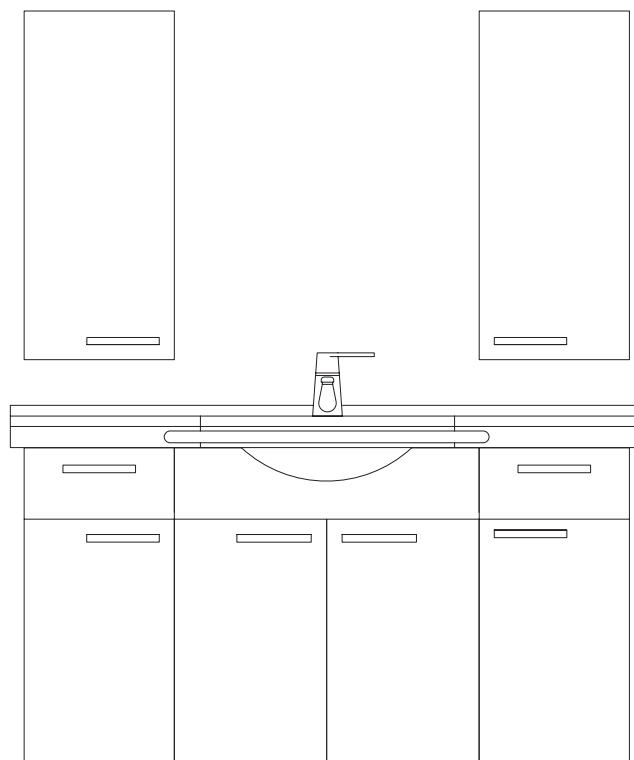
O Senior



P Senior



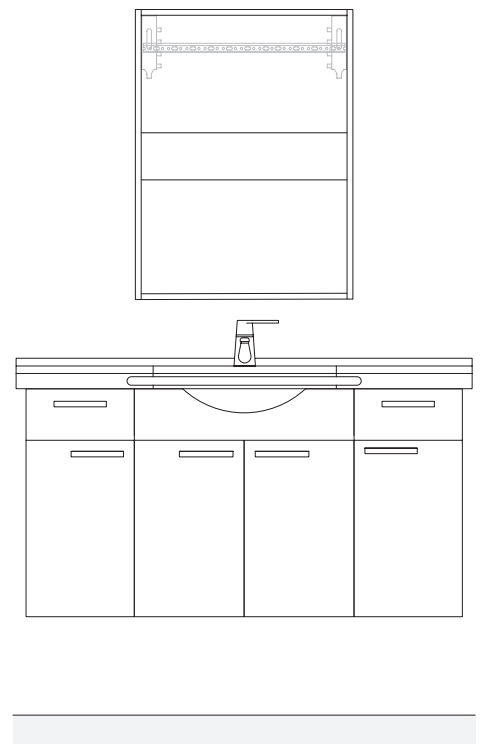
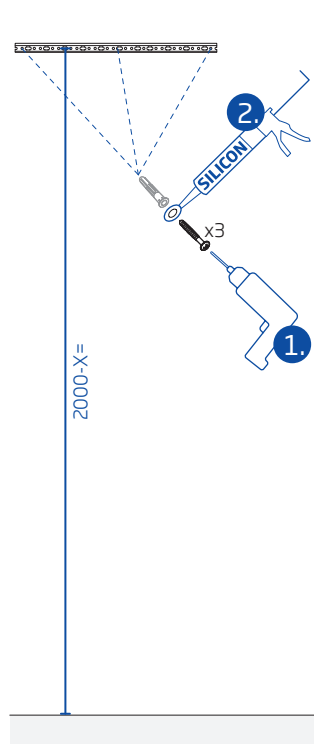
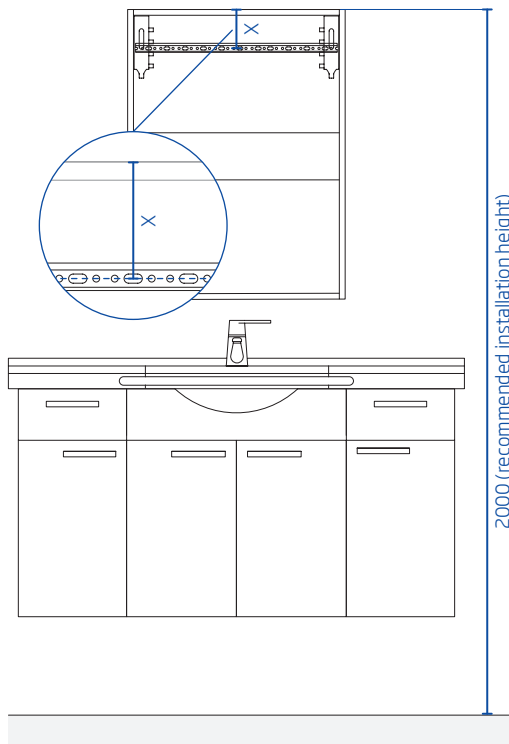
Senior 64100-1/64101-1/64102-1, 64100-2/64101-2/64102-2 & 64100-3/64101-3/64102-3



Q1 Senior



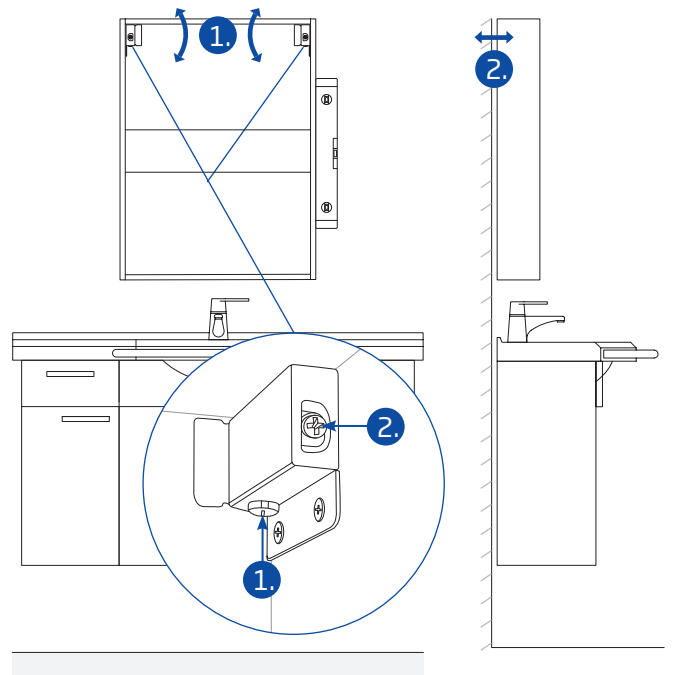
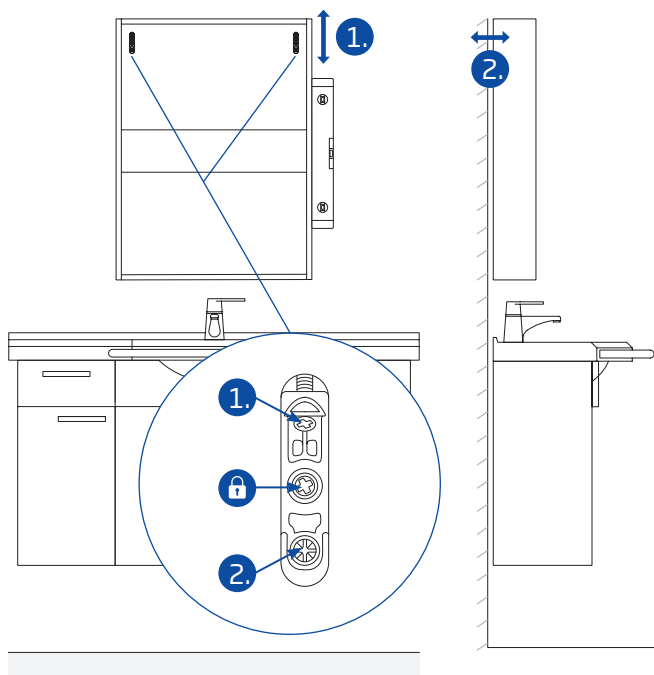
Q2 Senior



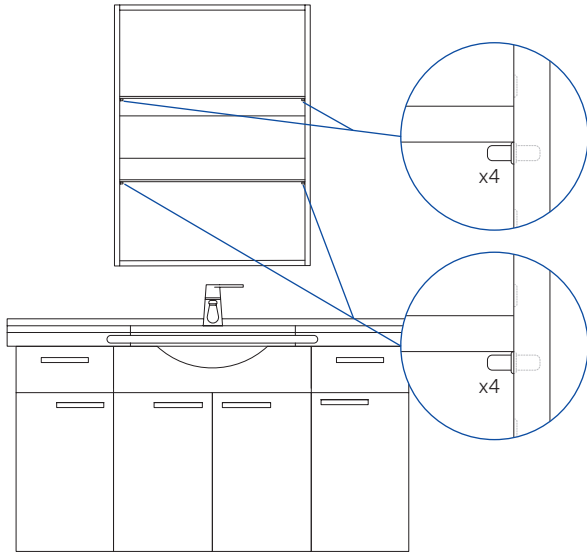
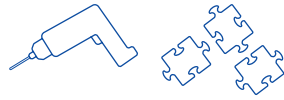
R1 Senior, type A



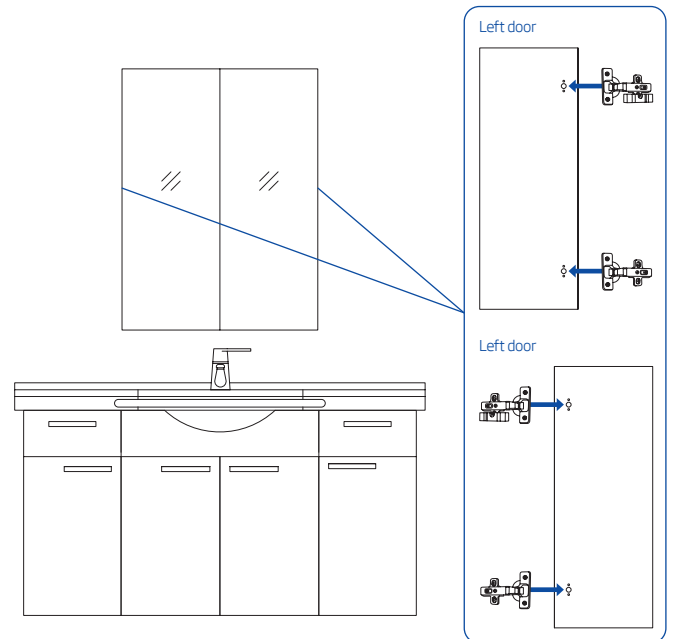
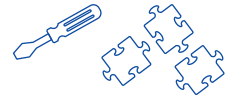
R2 Senior, type B



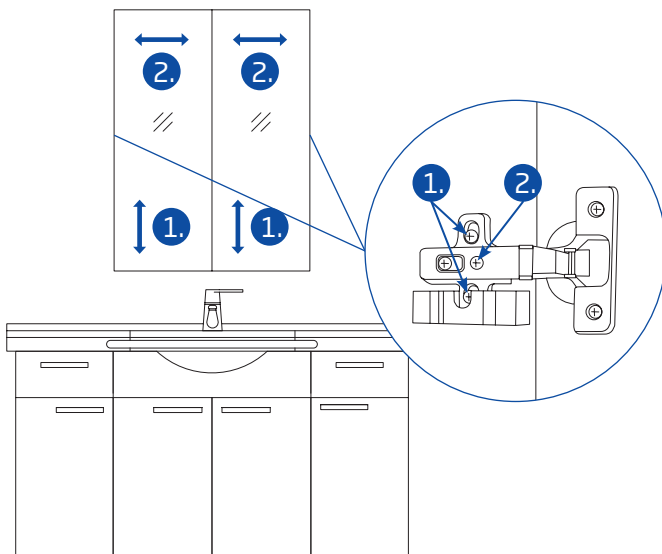
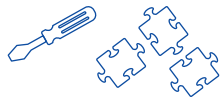
S Senior



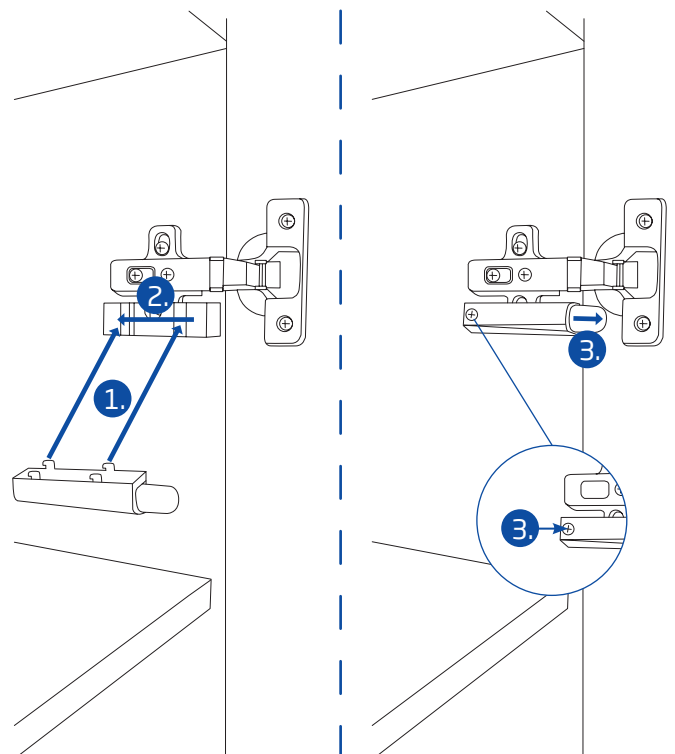
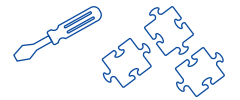
T1 Senior



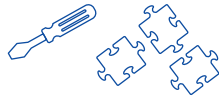
T2 Senior



U Senior



V Senior



Senior 64100-1/64101-1/64102-1, 64100-2/
64101-2/64102-2 & 9531/9532

