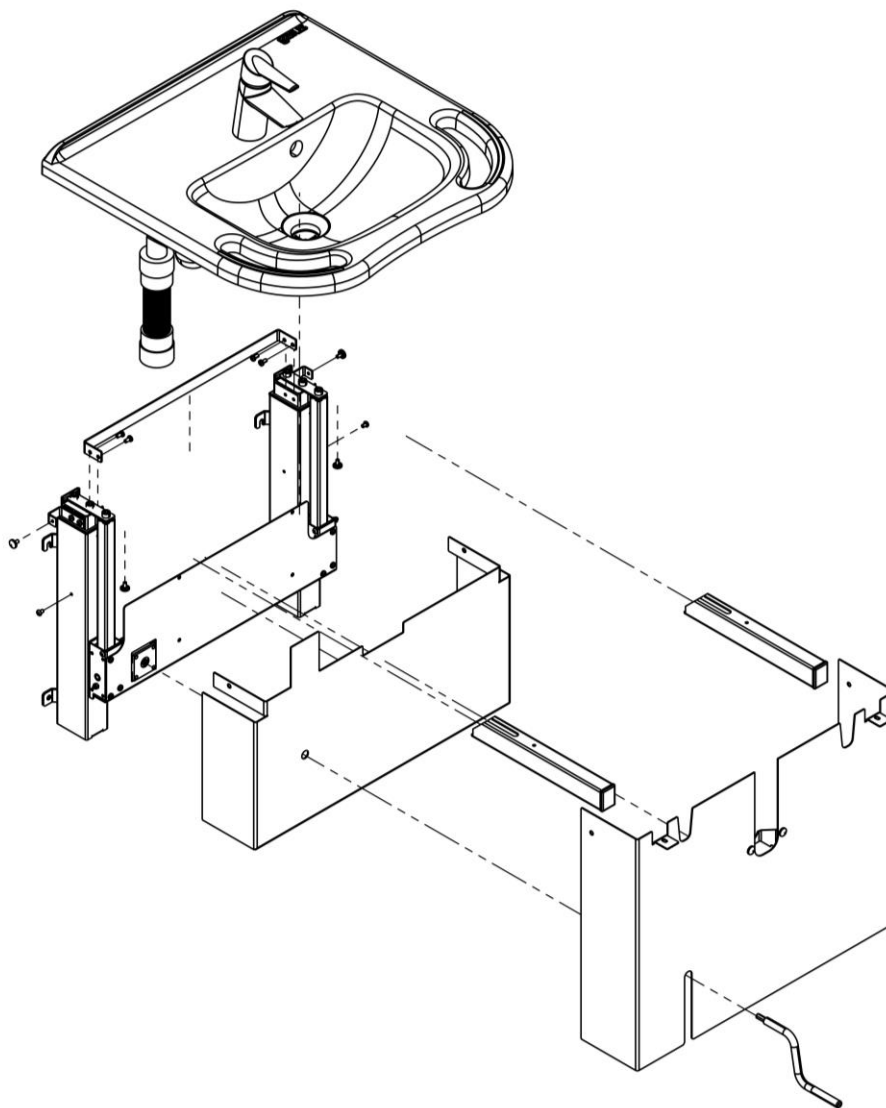





21273113-00 Royal basin manual lifter installation guide




Description

ID	Item Revision	
D012219	A.3	
Type	Installation instructions	
Subject		
Owner	korpinen_admin	
Owning Group	Korpinen	

Symbols used in this manual

Warning! Indication of potentially hazardous situation. If not avoided, it can result in serious injury or death.	
Caution! Indication of potentially hazardous situation which may result in minor or moderate injury. It may also be used to alert against unsafe practices.	
Notification! This symbol is used to notify correct use and handling of the product.	

General safety

	<p>This manual must be read and understood before use and installation. Always keep this manual in close proximity of the product.</p> <p>The use, installation and service of this product must follow this manual to avoid accidents and serious personal injury.</p> <p>Never use or handle this product in other ways specified in this manual as it can result in personal safety hazards and/or cause damage to the product.</p> <p>Persons installing and/or using this product either as operator or user should have the necessary safety information and access to this manual.</p> <p>If the supply cord is damaged, it must be replaced by the manufacturer, its service agent or duly qualified designated persons in order to avoid a hazard.</p>
---	---



Do not perform unauthorized repairs, disassembly or assembly operations, add-ons, re-adjustments or modification of the product beyond what is described in this manual. Any use, modification or adjustment not described in the most recent approved revision of the manual is strictly forbidden. Do not perform service while the product is connected to the mains power.

This appliance can be used by children aged from 8 years and above and persons with reduced physical, sensory or mental capabilities or lack of experience and knowledge if they have been given adequate supervision or instruction concerning the safe use of the appliance and they understand the hazards involved. Children shall not play with the appliance. Cleaning and user maintenance shall not be performed by children without supervision.

Do not use the product if it has defects or signs of damage are present. If the device makes unusual noise or smells, switch off the mains voltage immediately.

Take care that the cables are not damaged. Unplug the mains cable on mobile equipment before it is moved.













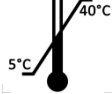
The products must only be used in an environment that corresponds to their IP protection.



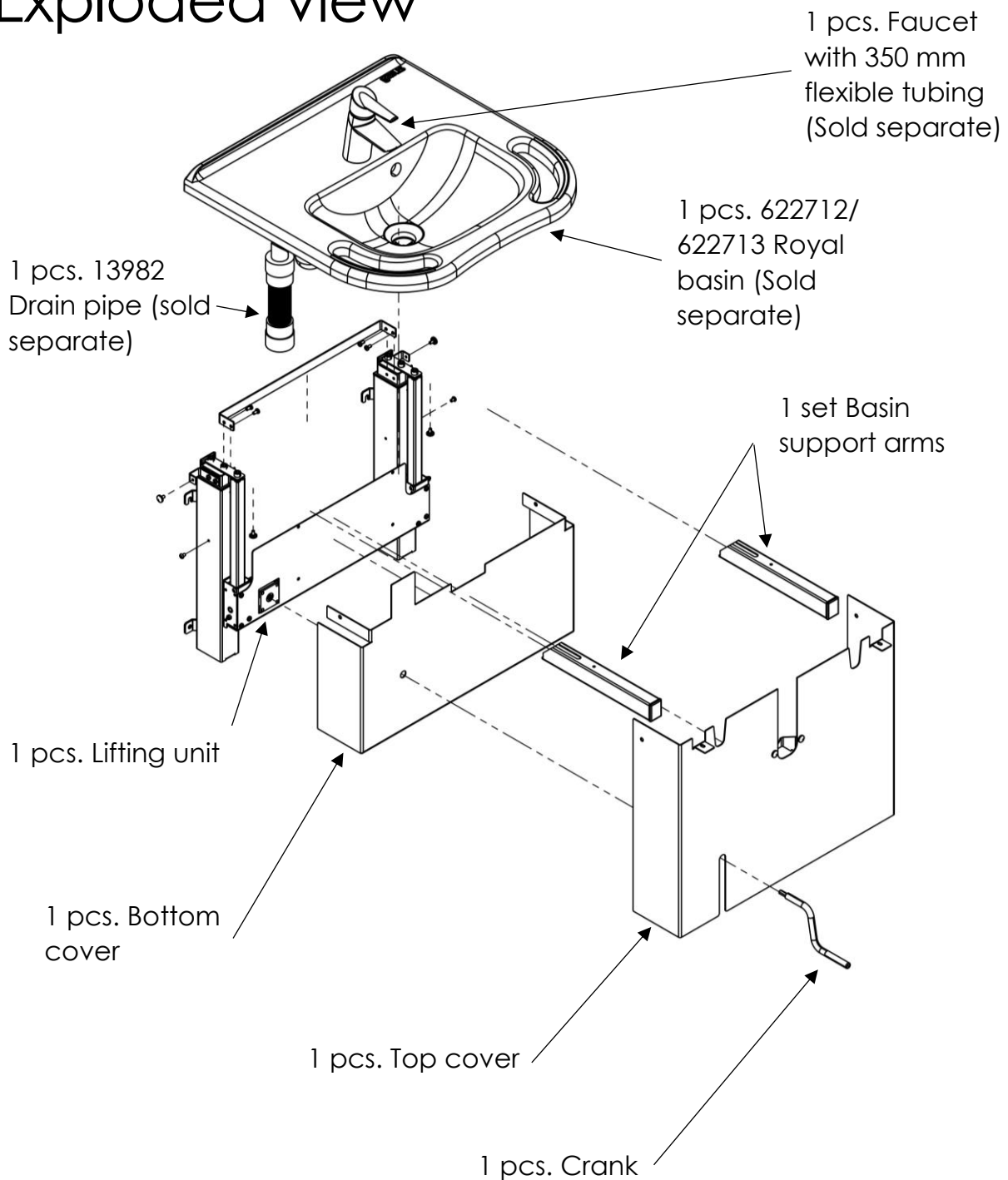
The information in this manual is based on correct installation in accordance with installation instructions for this product.

Korpinen cannot be held liable if the product is used in any way that differs from stated in this manual and/or installation instruction. Korpinen reserves the right to amend this manual and reference documents without prior notice.

Product label symbols

	<p>This product is CE-marked in accordance with:</p> <p>Council Directive 2006/42/EC on machinery</p> <p>Council Directive 2011/65/EU, RoHS</p>
	<p>Manufacturer name and address</p>
	<p>Date of production</p>
	<p>Stock number</p>
	<p>Serial number</p>
	<p>Consult manual before use</p>
	<p>Operating interval of electrically operated equipment. The use of electrical height adjustable equipment can run at maximum 2 minutes, followed by an 18-minute break.</p>
	<p>Type B applied part. The product complies with IEC 60601-1 requirements to provide protection against electric shock.</p>
	<p>Consult manual for important safety related information, warnings, and safety precautions.</p>
	<p>Class II, double isolated electrical components.</p>
	<p>Do not dispose as unsorted municipal waste. Product must be returned to a designated recycling station.</p>
	<p>Mobile phones or other portable RF emitting equipment should be no closer to the product than 30cm.</p>
	<p>Operating and storing temperatures may not exceed 5-40°C</p>

Exploded view



NOTICE! Mounting hardware sold separate

Korpinen part no. 6219-Z

Or 8 pcs. Full thread 8x60mm deck screws with adequate wall plugs

IMPORTANT NOTICE! Floor drain should extend at least 235 mm from the floor.
Tube diameter 32 – 40 mm. Tube center distance from wall 50-60 mm.

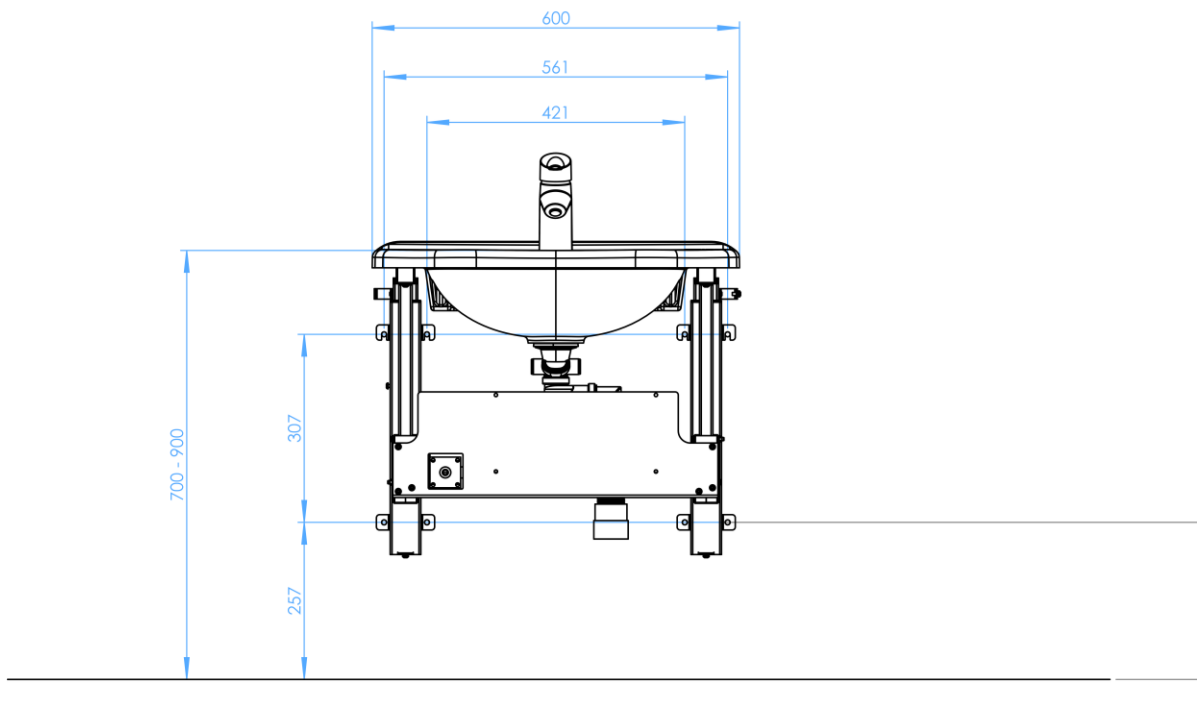
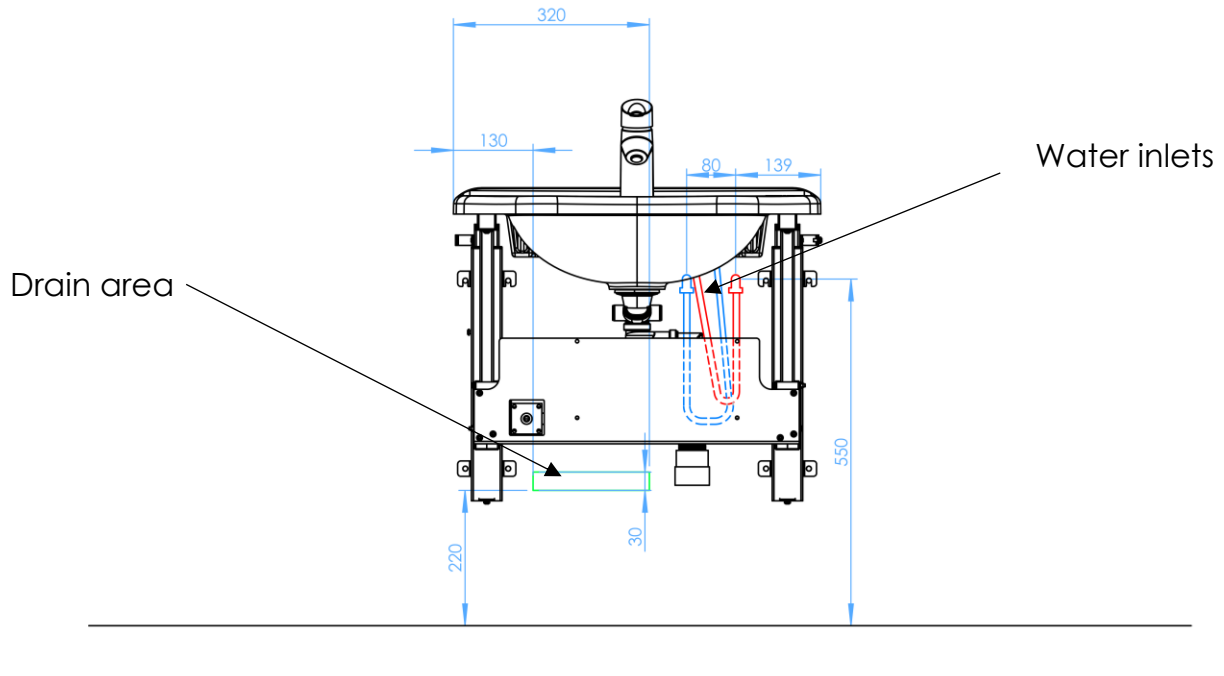


Figure 1. Plumbing & mounting hole placement

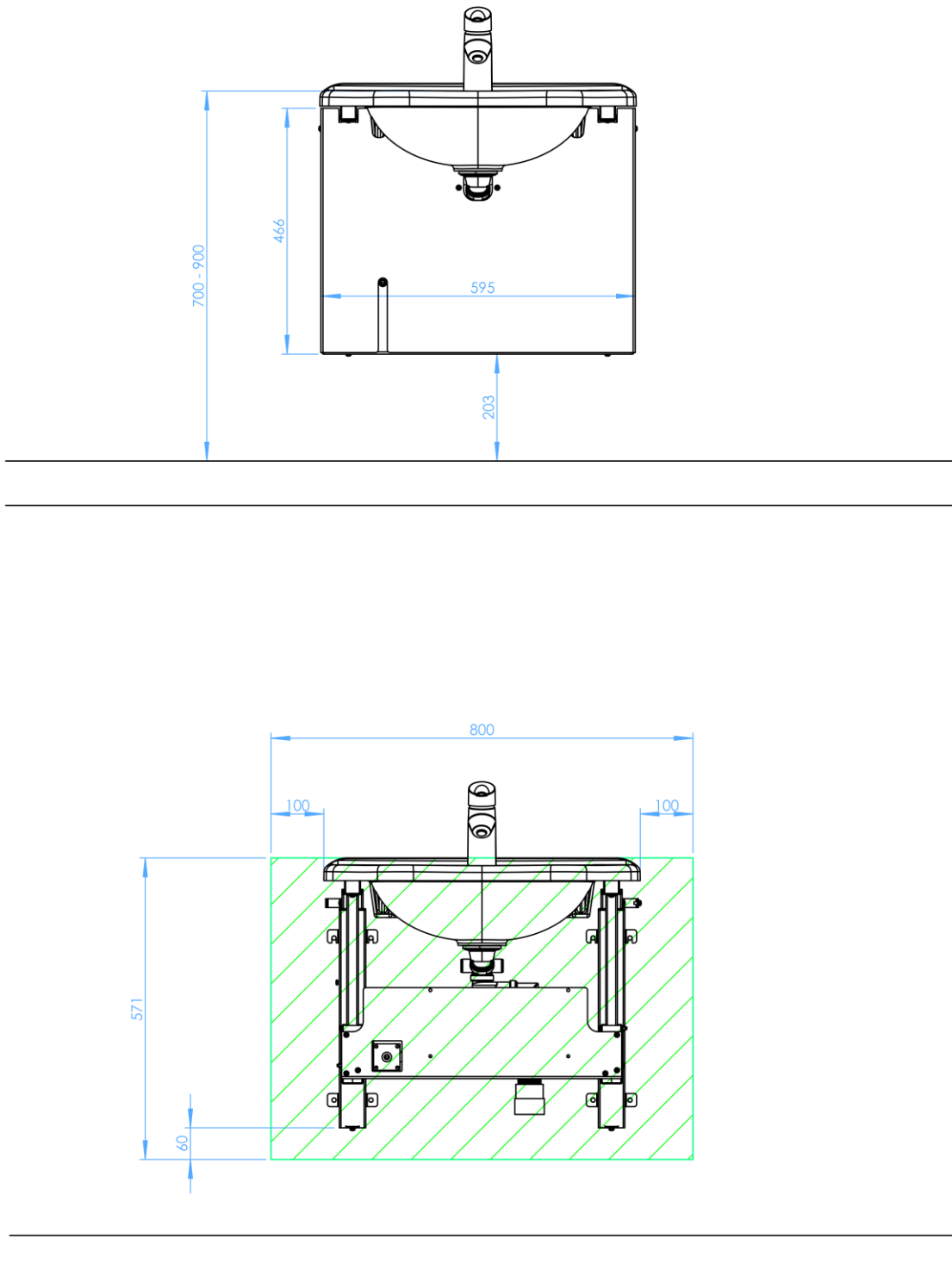
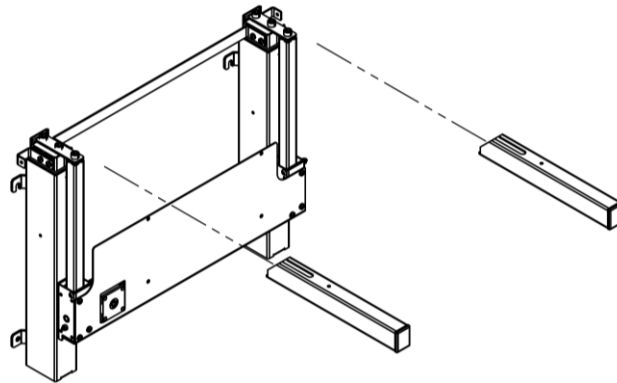
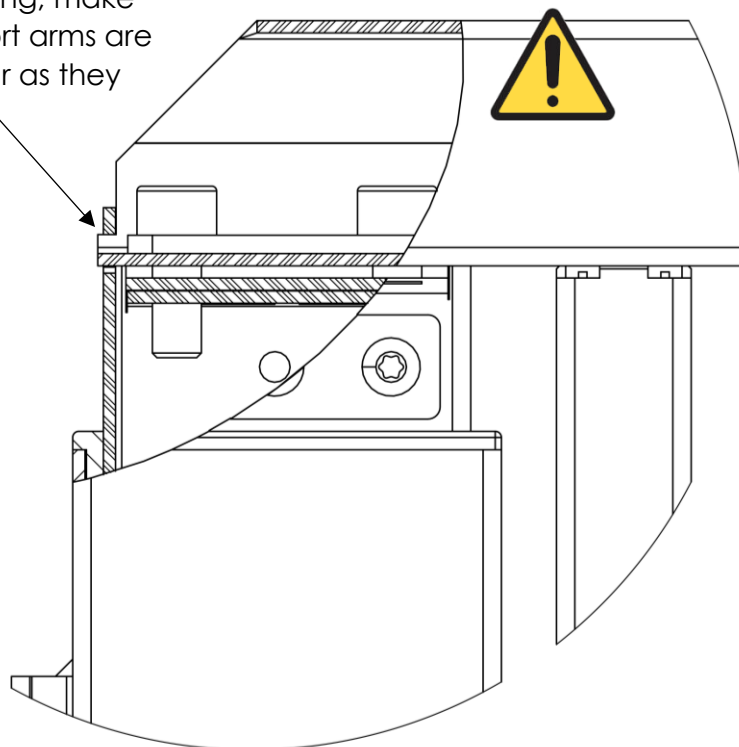


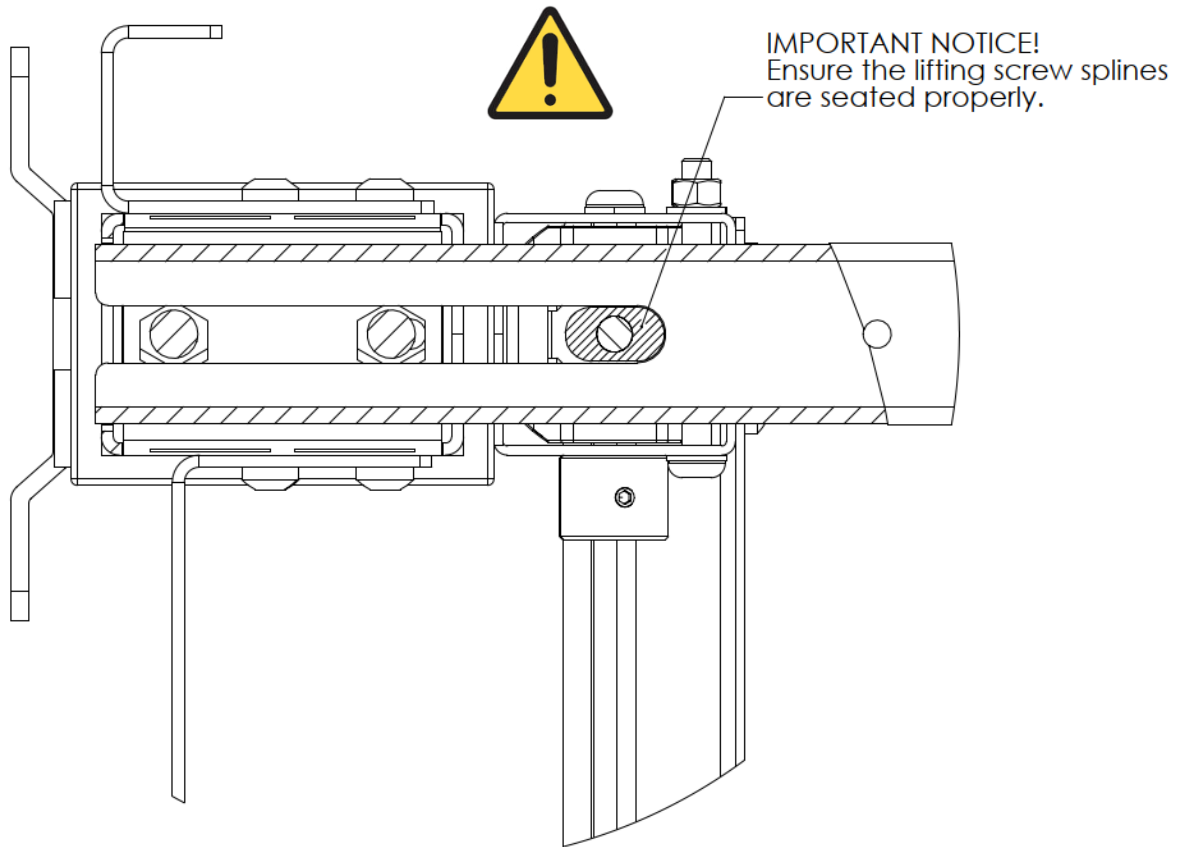
Figure 2. External dimensions and minimum reinforced area (Plywood 20 mm with full thread screws)

1. Install the basin support arms and tighten the mounting screws

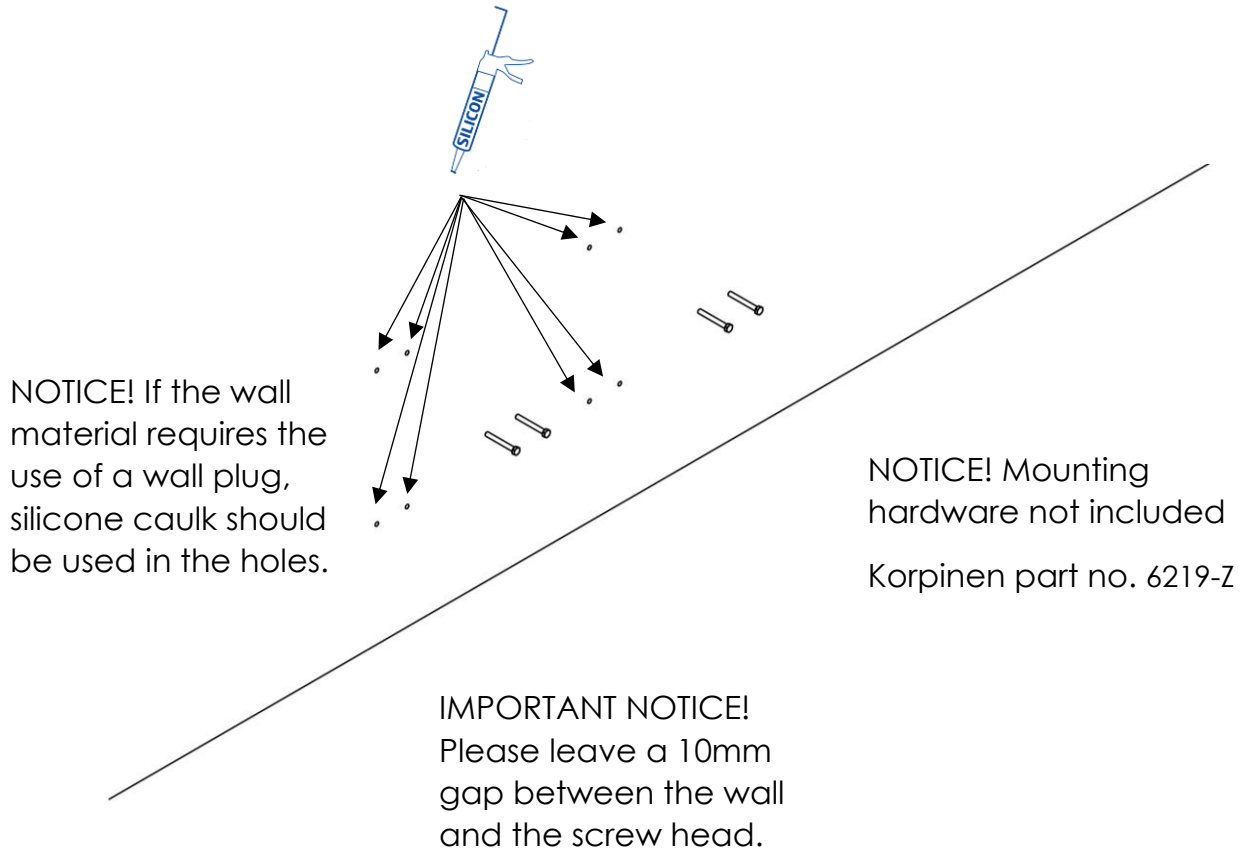


Before tightening, make sure the support arms are mounted as far as they will go.



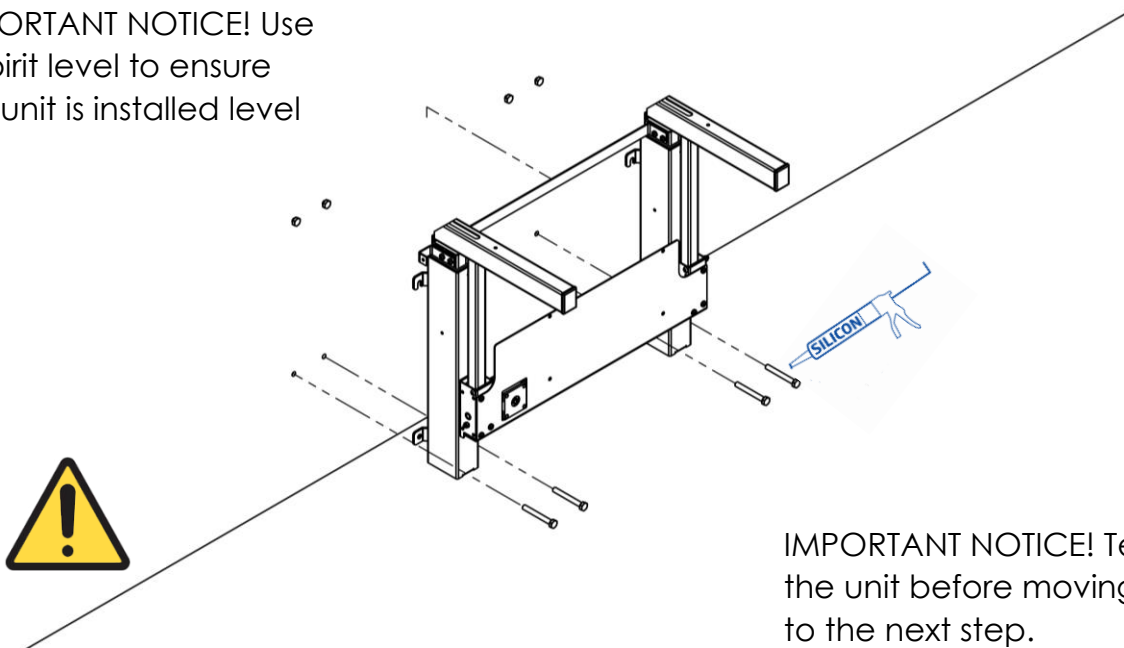


2. Predrill all necessary holes and install the top mounting screws into the wall.



3. Lift the basin lifter on top of the top screws in the wall.
Using a spirit level, ensure that the unit is installed level.
When the unit is level, tighten the top screws; insert and tighten the bottom screws. Test the lifter before adhering the basin.

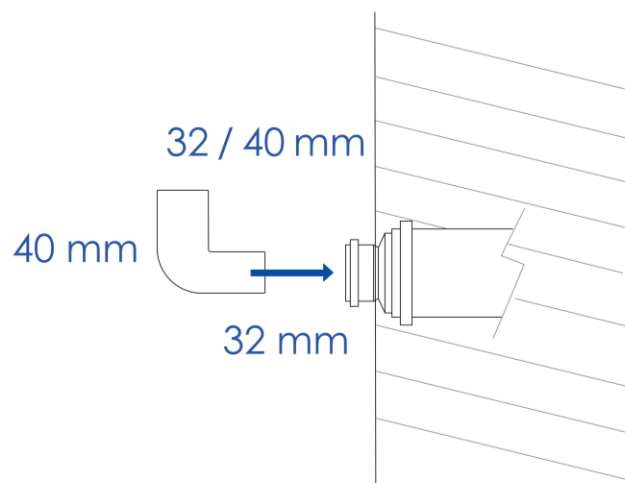
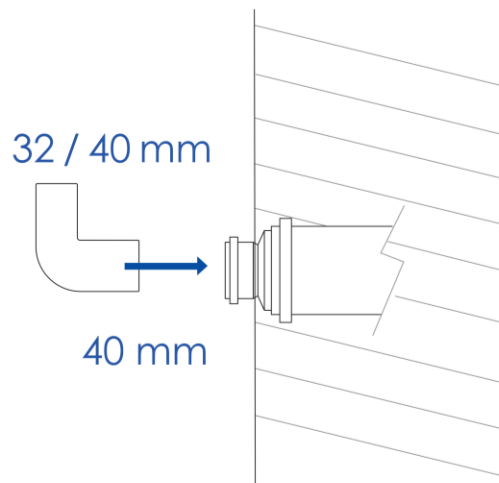
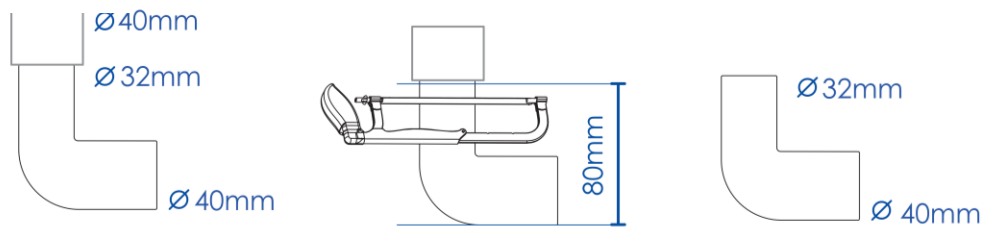
IMPORTANT NOTICE! Use a spirit level to ensure the unit is installed level

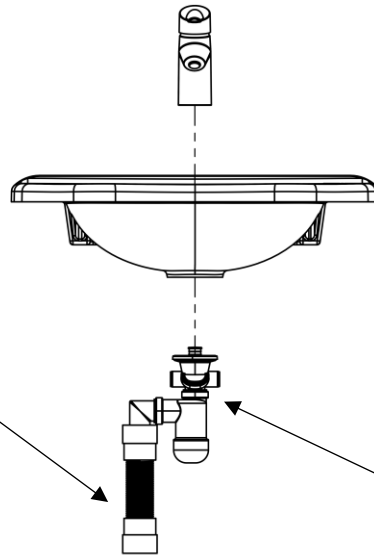


IMPORTANT NOTICE! Test the unit before moving to the next step.

IMPORTANT NOTICE! While testing, keep hands and tools away from the open mechanism.

4. Assemble the faucet, basin and plumbing





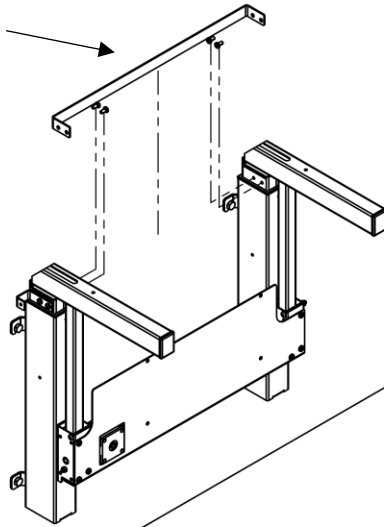
IMPORTANT NOTICE!
Use a faucet with flexible water inlet tubing with a length of 350 mm.

NOTICE! 13982 Flexible drain pipe sold separate.

NOTICE! Air lock must be pressed and fixed to the top position with a cable tie. Flexible drain pipe must be held in place with hose clamps.

5. After testing the unit and cleaning the underside of the basin; remove the shipping support, adhere the basin to the lifter frame and install the plumbing.

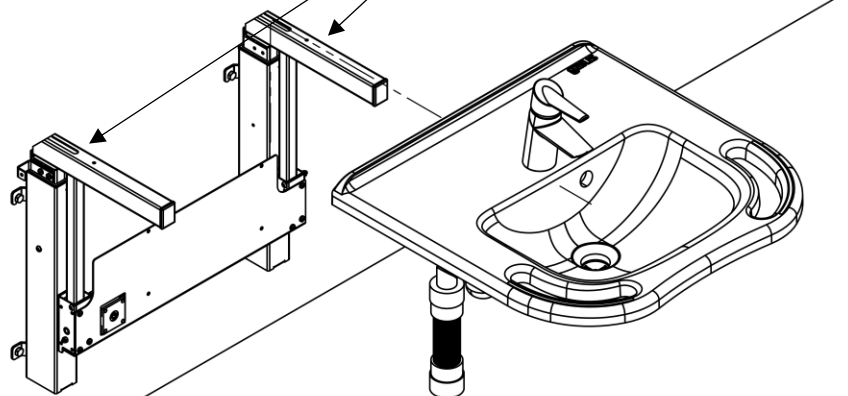
Remove the shipping support after mounting the unit.



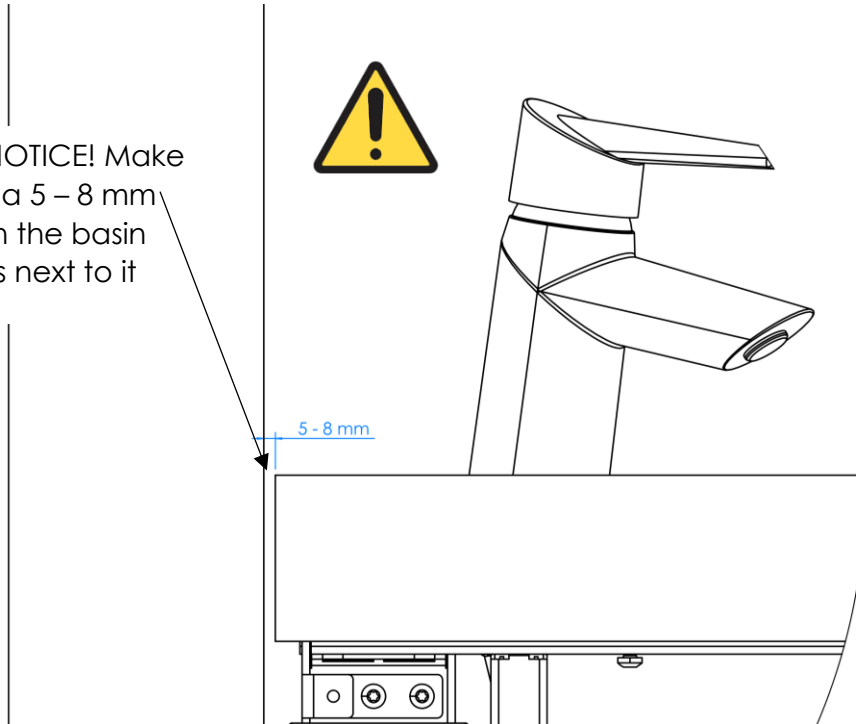
IMPORTANT NOTICE! The bond will be permanent.

Before continuing, allow the adhesive to cure according to the manufacturer's instructions

Use Sikaflex FC11 to adhere the basin. Clamp the basin to the frame to ensure a good bond

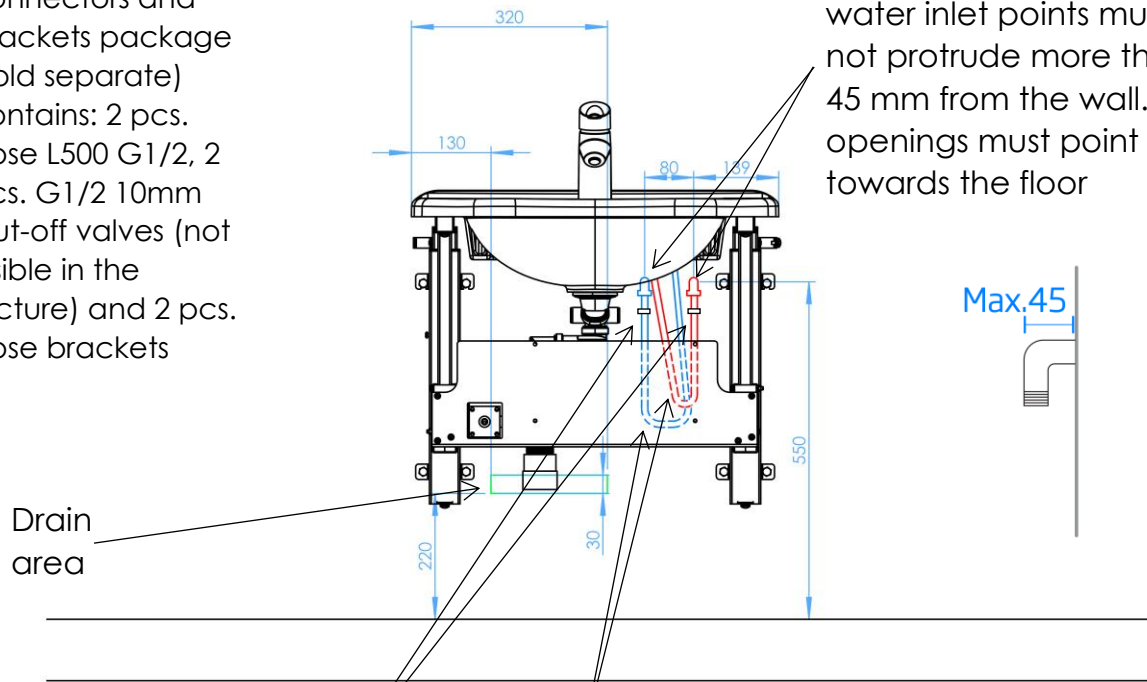


IMPORTANT NOTICE! Make sure to leave a 5 – 8 mm gap between the basin and any walls next to it



13970 Water hoses, connectors and brackets package (sold separate) contains: 2 pcs. Hose L500 G1/2, 2 pcs. G1/2 10mm Cut-off valves (not visible in the picture) and 2 pcs. Hose brackets

IMPORTANT NOTICE! The water inlet points must not protrude more than 45 mm from the wall. The openings must point towards the floor

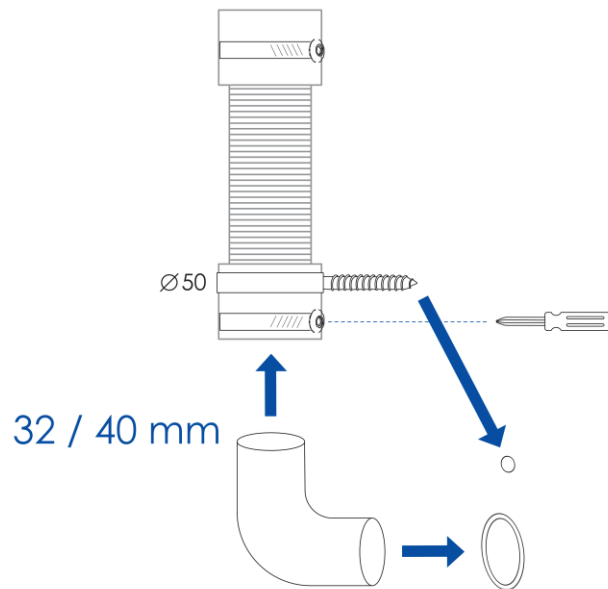


Drain area

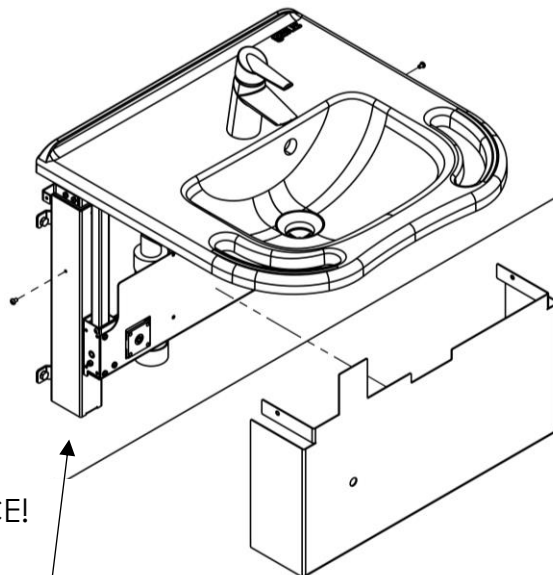
2x Hose brackets

Hose: L500 G1/2 or Total L650-700mm

IMPORTANT NOTICE! Floor drain should extend at least 235 mm from the floor. Tube diameter 32 – 40 mm. Distance from wall 50 - 70 mm



6. Install the bottom cover



IMPORTANT NOTICE!
Mind the bottom screws when sliding the bottom cover to place; remember to tighten the bottom screws.

7. Install the top cover and crank. Test the unit to ensure full functionality.

