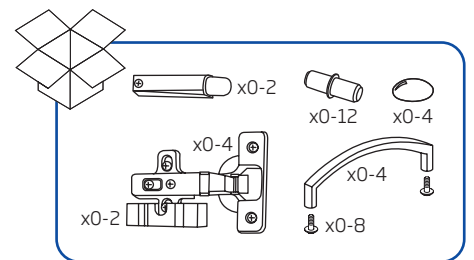
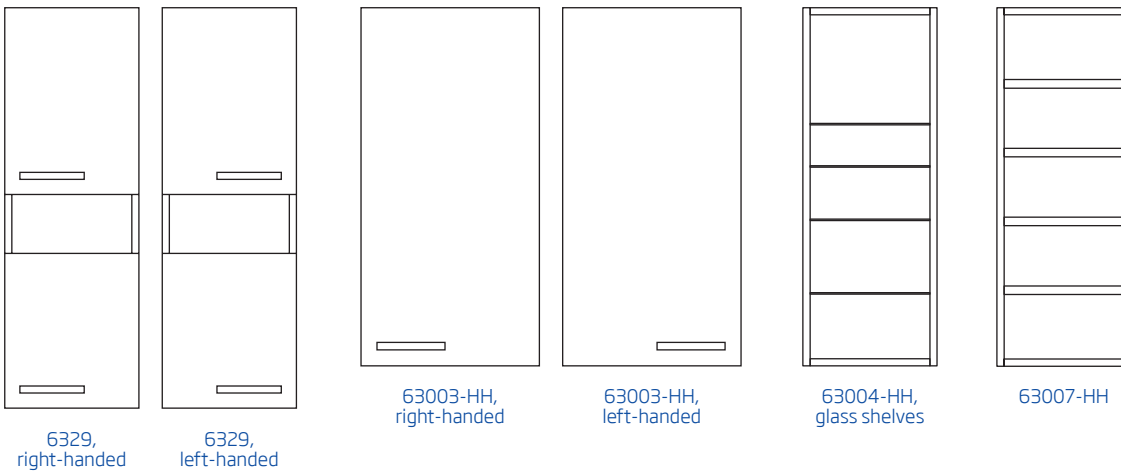
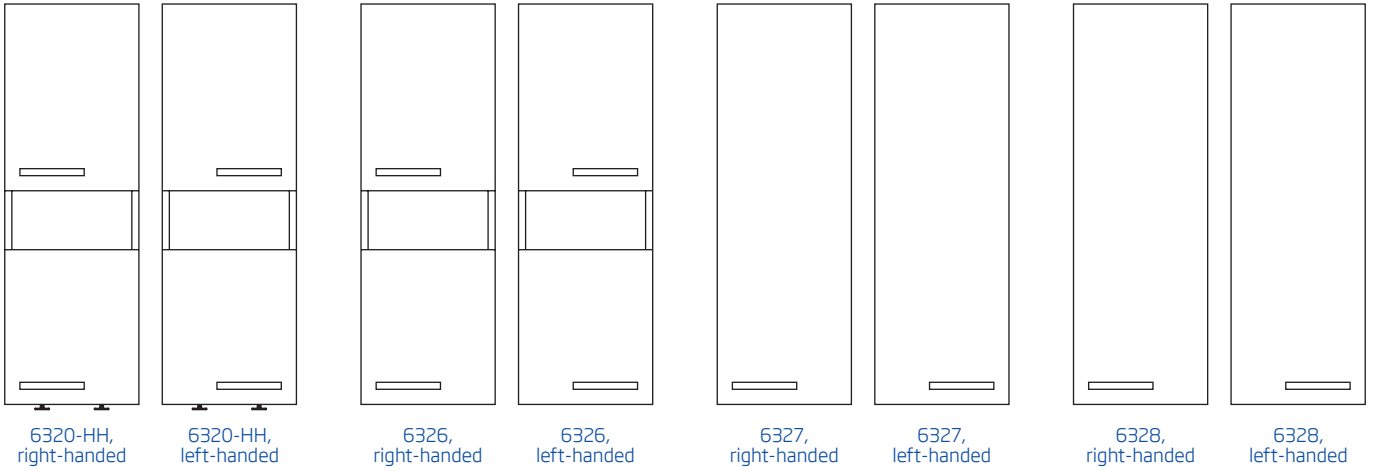
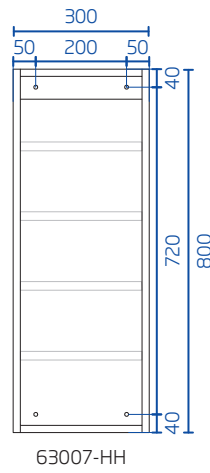
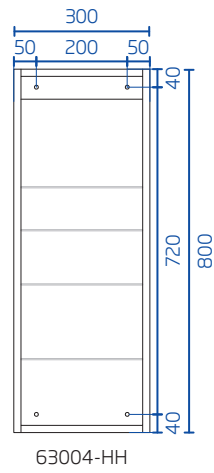
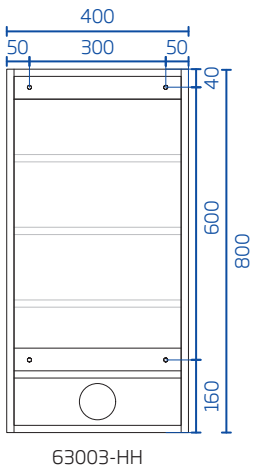
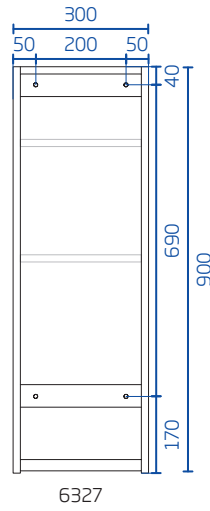
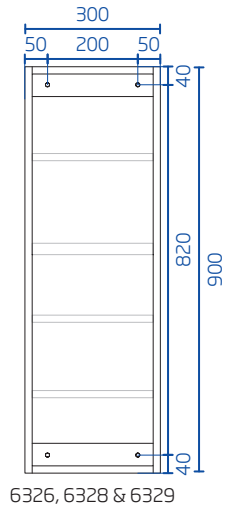
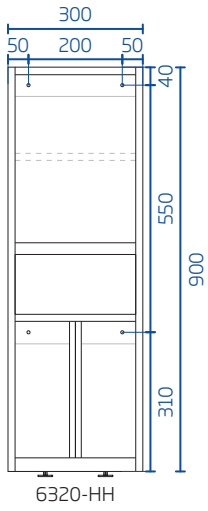


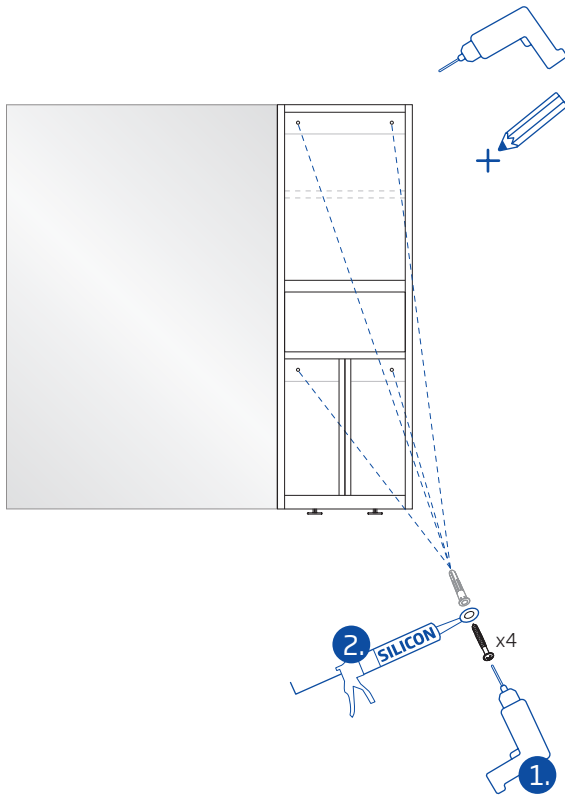
# Paper towel, Dispenser & Equipment cabinets



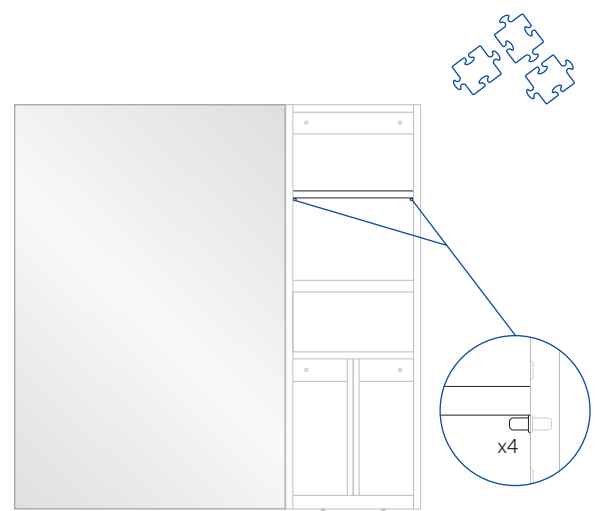
The installer must be a professional.



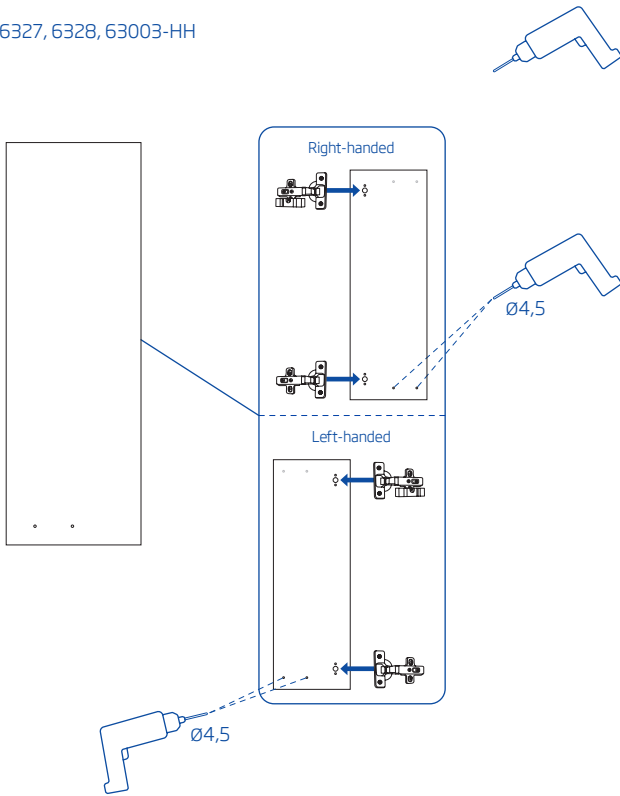
A



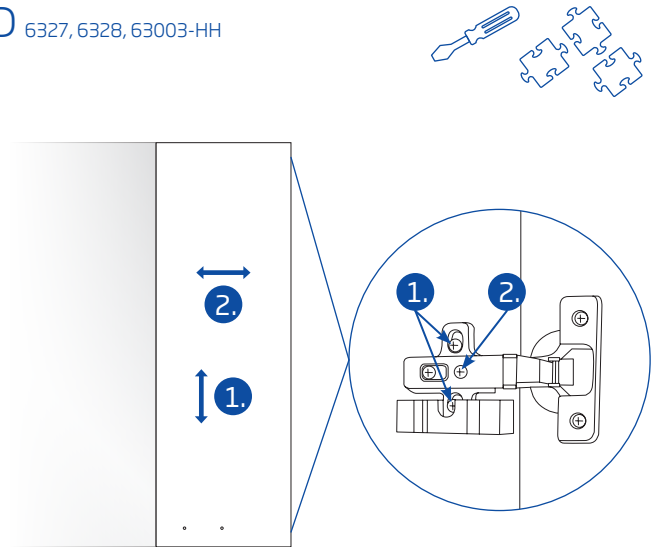
B



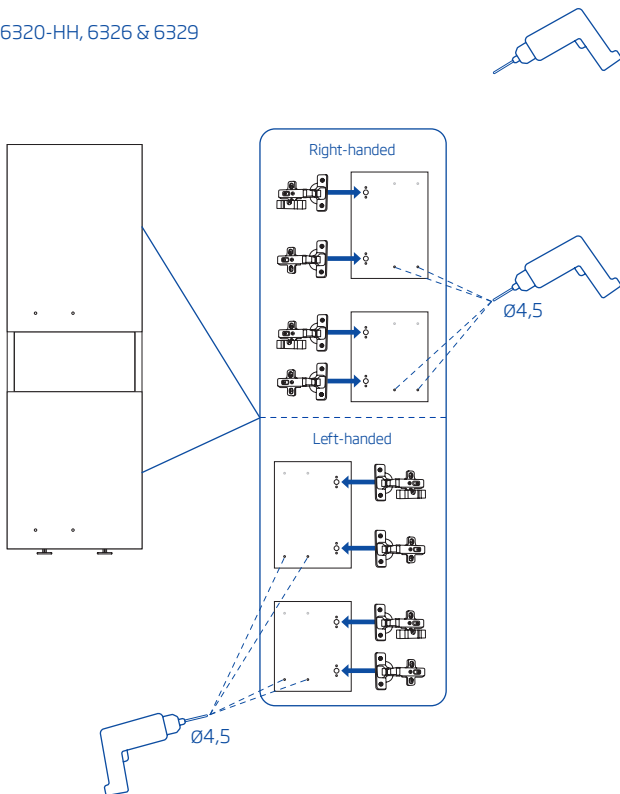
C 6327, 6328, 63003-HH



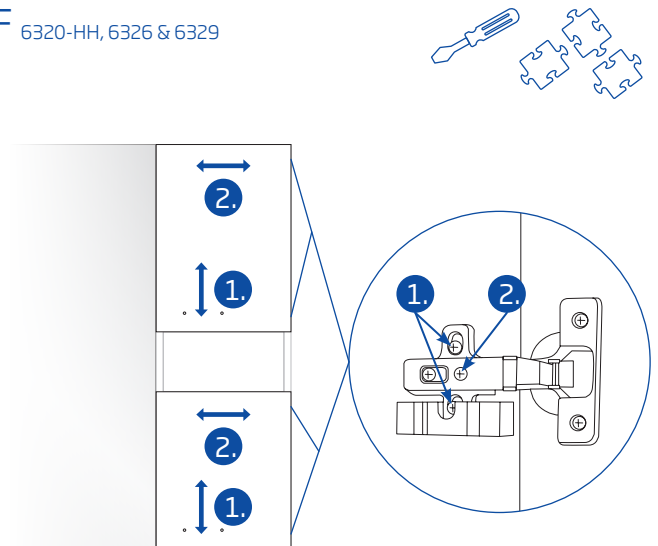
D 6327, 6328, 63003-HH



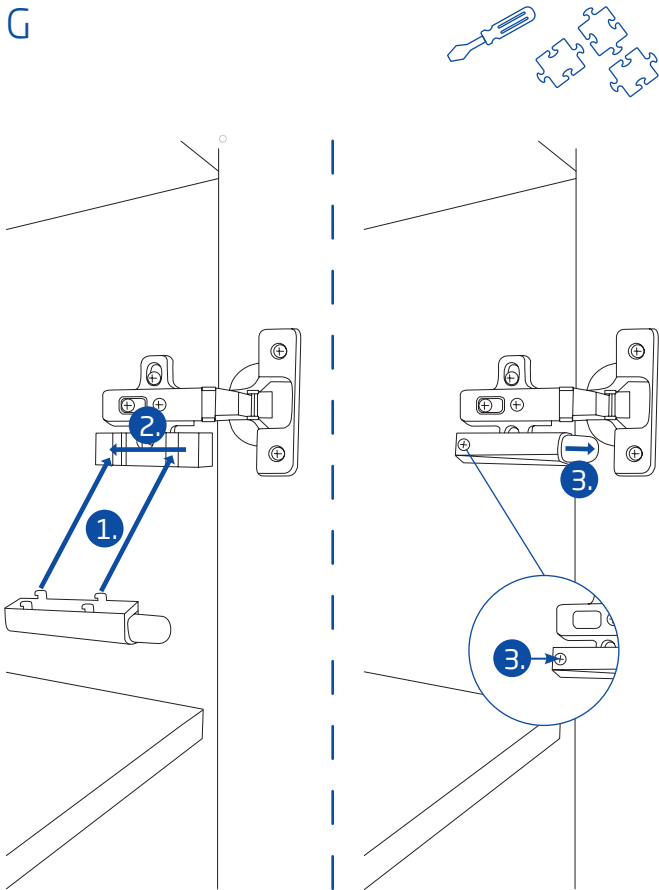
E 6320-HH, 6326 & 6329



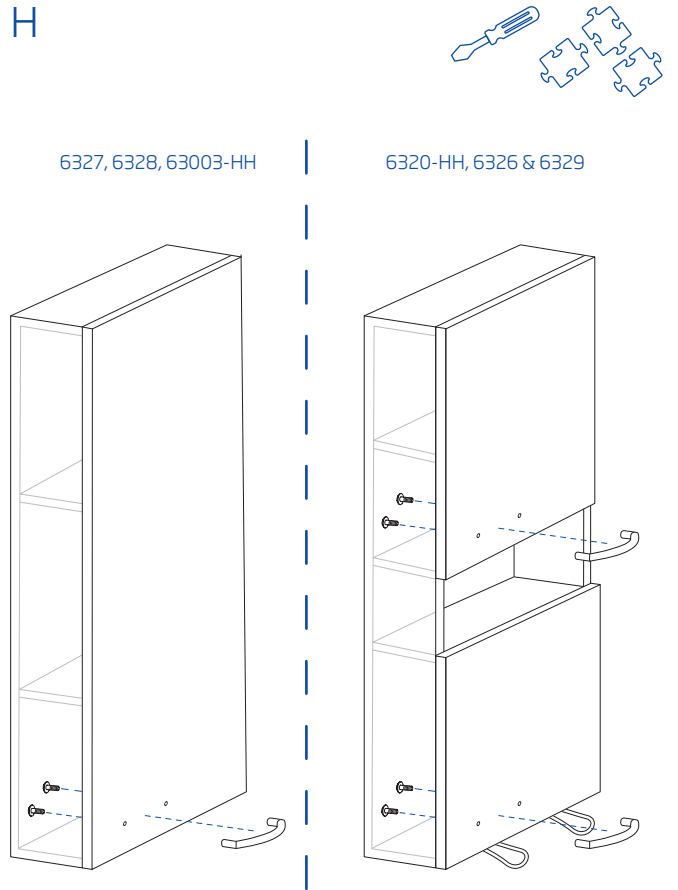
F 6320-HH, 6326 & 6329



G



H



6327, 6328, 63003-HH



6320-HH, 6326 & 6329

