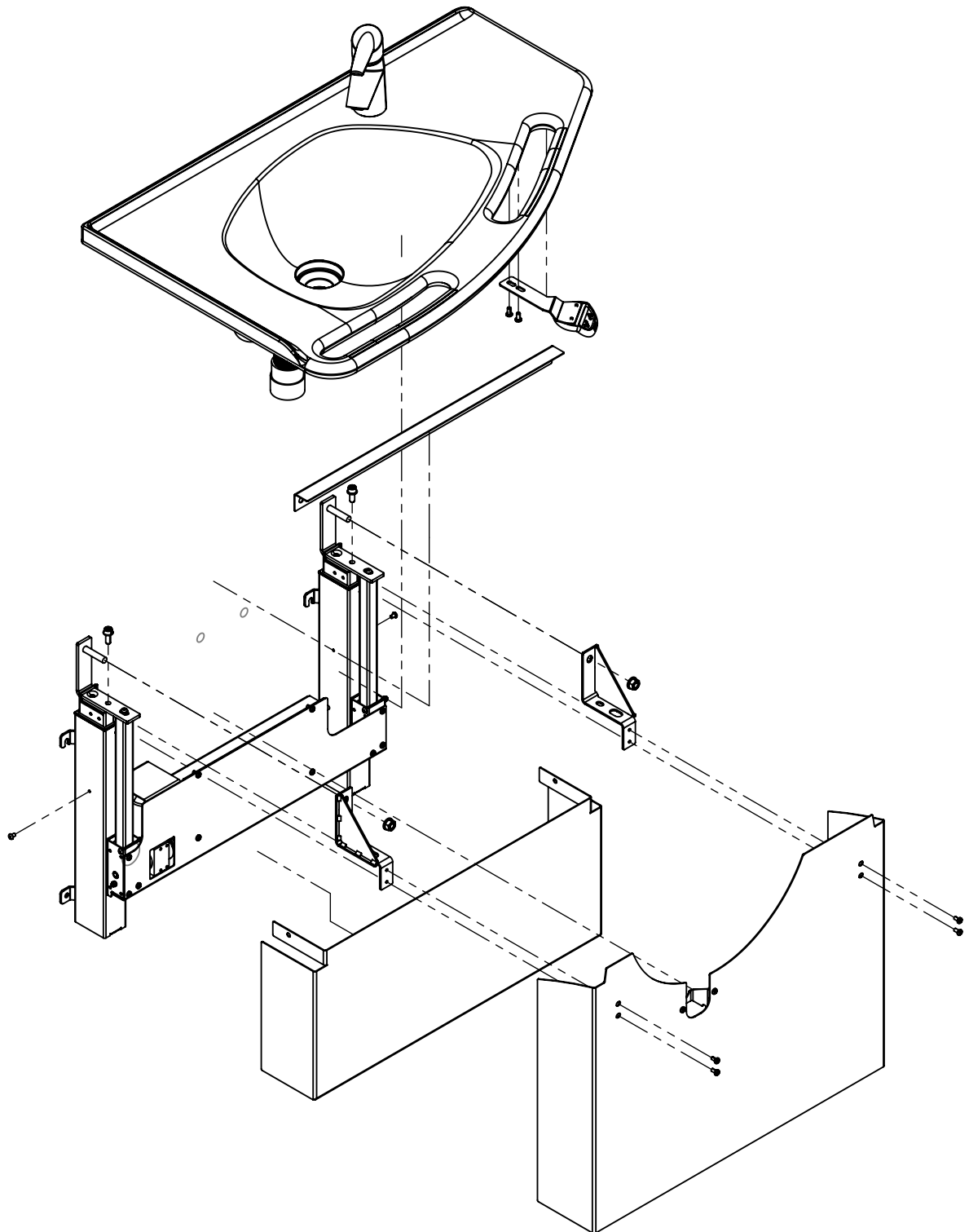






21273100 Electric Sense basin lifter installation guide





Symbols used in this manual












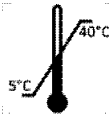
<p>Warning! Indication of potentially hazardous situation. If not avoided, it can result in serious injury or death.</p>	
<p>Caution! Indication of potentially hazardous situation which may result in minor or moderate injury. It may also be used to alert against unsafe practices.</p>	
<p>Notification! This symbol is used to notify correct use and handling of the product.</p>	

General safety

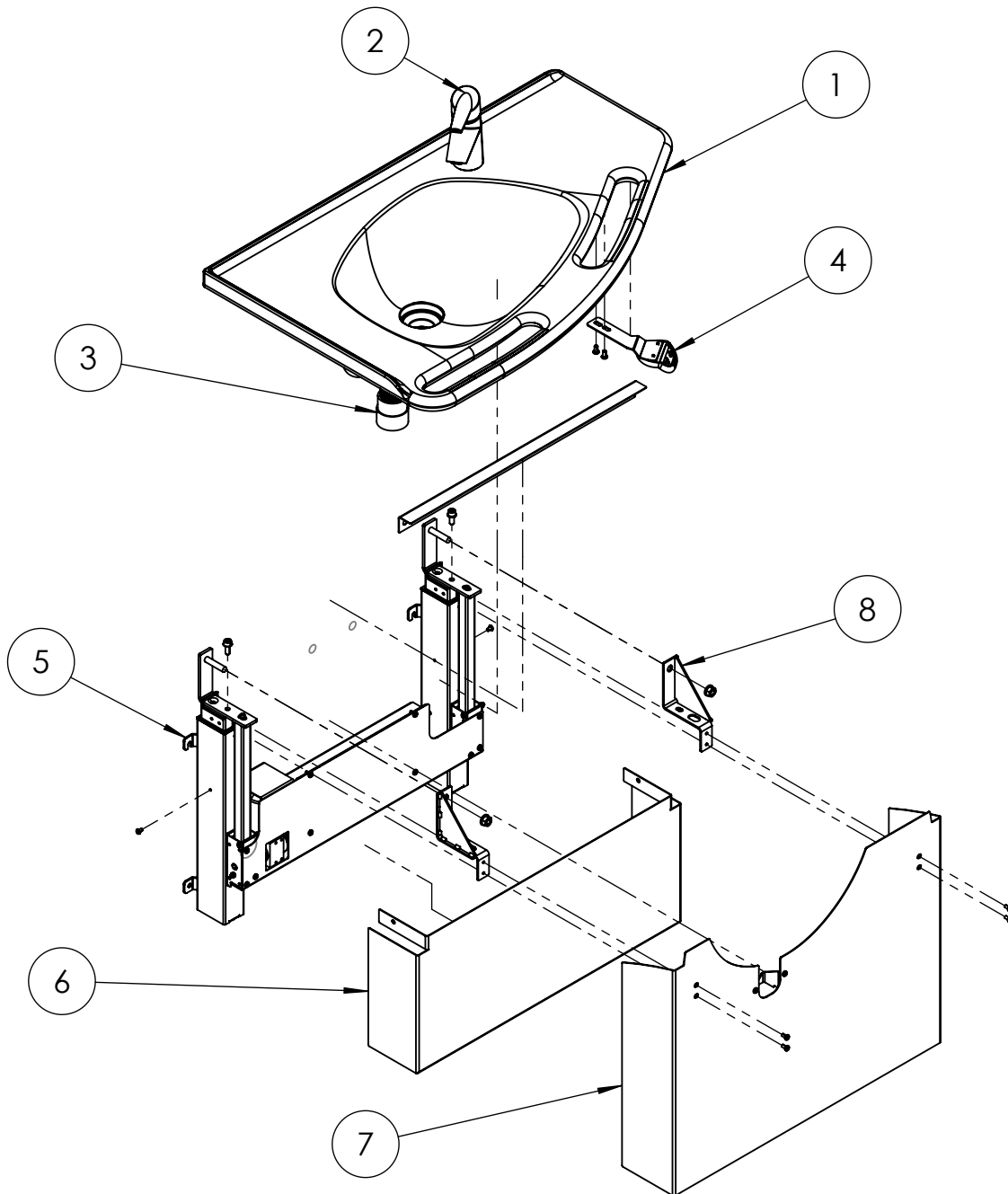
<p>This manual must be read and understood before use and installation. Always keep this manual in close proximity of the product.</p> <p>The use, installation and service of this product must follow this manual to avoid accidents and serious personal injury.</p> <p>Never use or handle this product in other ways specified in this manual as it can result in personal safety hazards and/or cause damage to the product.</p> <p>Persons installing and/or using this product either as operator or user should have the necessary safety information and access to this manual.</p> <p>If the supply cord is damaged, it must be replaced by the manufacturer, its service agent or duly qualified designated persons in order to avoid a hazard.</p>	
---	---

<p>Do not perform unauthorized repairs, disassembly or assembly operations, add-ons, re-adjustments or modification of the product beyond what is described in this manual. Any use, modification or adjustment not described in the most recent approved revision of the manual is strictly forbidden. Do not perform service while the product is connected to the mains power.</p> <p>This appliance can be used by minors aged above 8 years and persons with reduced physical, sensory or mental capabilities only under adequate supervision and instruction concerning the safe operation of the appliance. The user must understand the hazards involved. Children shall not play with the appliance.</p> <p>Do not use the product if it is defective or signs of damage are present. If the device produces unusual noise or smells, switch off the mains voltage immediately.</p> <p>Take care that the cables are not damaged. Unplug the mains cable on mobile equipment before it is moved.</p> <p>The products must only be used in an environment that corresponds to their IP protection</p>	
<p>Korpinen cannot be held liable if the product is used in any way that differs from what is stated in this manual and/or installation instruction. Korpinen reserves the right to amend this manual and reference documents without prior notice.</p> <p>Latest instructions are available on Korpinen's website: https://www.korpinen.com/</p>	

Product label symbols

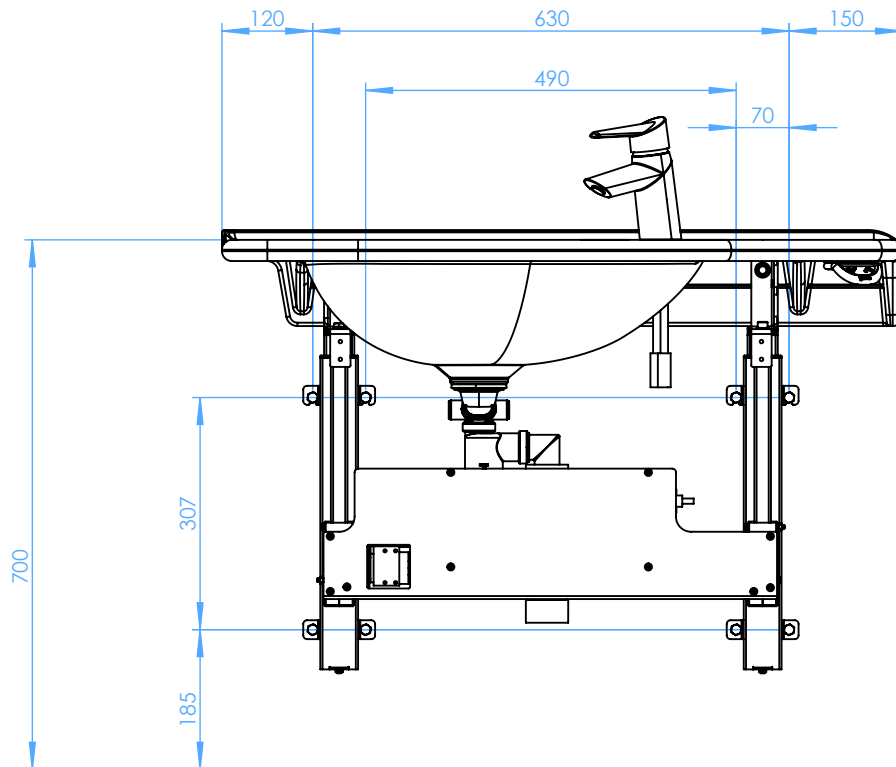
<p>This product is CE-marked in accordance with: Council Directive 2006/42/EC on machinery Council Directive 2011/65/EU, RoHS</p>	
<p>Manufacturer name and address</p>	
<p>Date of manufacture</p>	
<p>Reference number</p>	
<p>Serial number</p>	
<p>Consult manual before use</p>	
<p>Operating interval of electrically operated equipment. The use of electrical height adjustable equipment can run at maximum 2 minutes, followed by an 18-minute break.</p>	
<p>Consult manual for important safety related information, warnings, and safety precautions.</p>	
<p>Class II, double isolated electrical components.</p>	
<p>Do not dispose as unsorted municipal waste. Product must be returned to a designated recycling station.</p>	
<p>Mobile phones or other portable RF emitting equipment should be no closer to the product than 30cm.</p>	
<p>Operating and storing temperatures may not fall outside 5-40°C</p>	

Exploded view

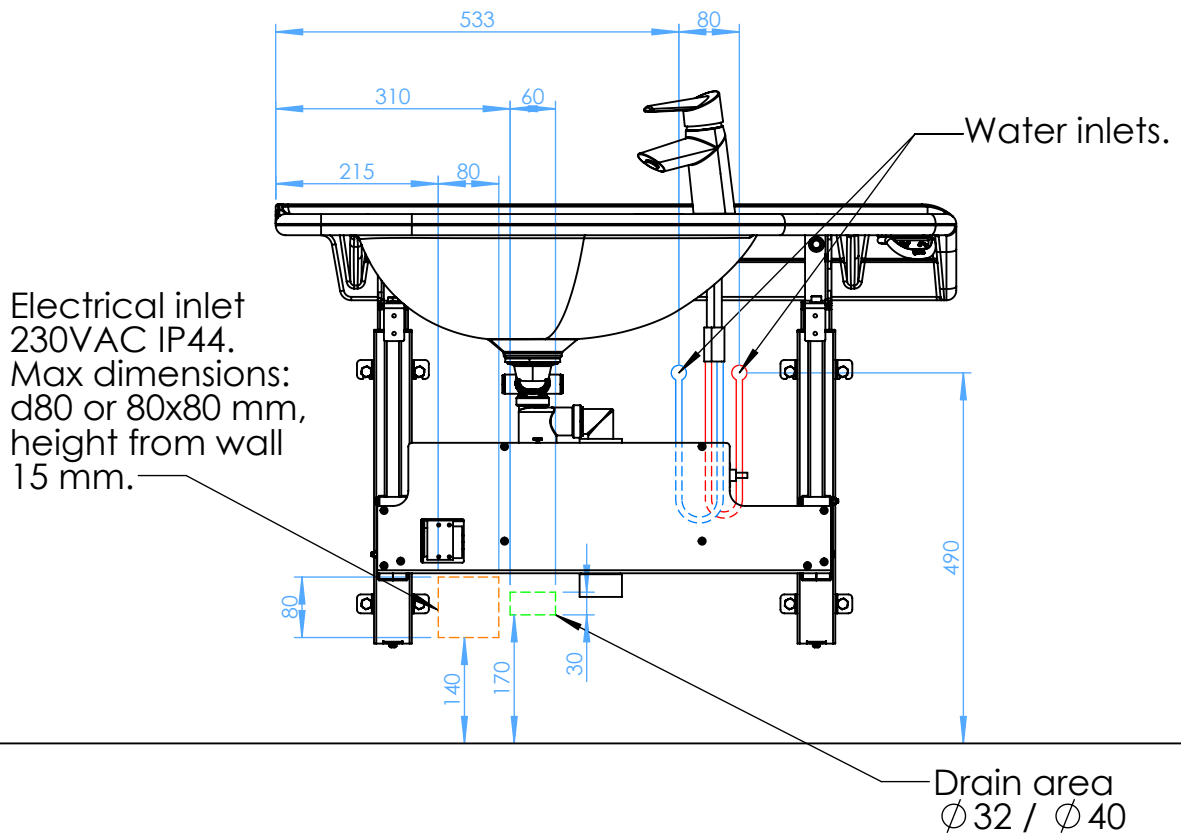


	Item name	Part no.	Qty.	Notes
1	Gaius Sense basin	62022 or 62023	1	Not included
2	Faucet with 10mm inlet tubing		1	Not included
3	Flexible drain pipe and inlet hoses	13982 + 13970		Not included
4	User interface		1	
5	Lifting unit		1	
6	Bottom cover		1	
7	Top cover		1	
8	Basin mount		2	
	Mounting hardware	6219-Z	1	Not included

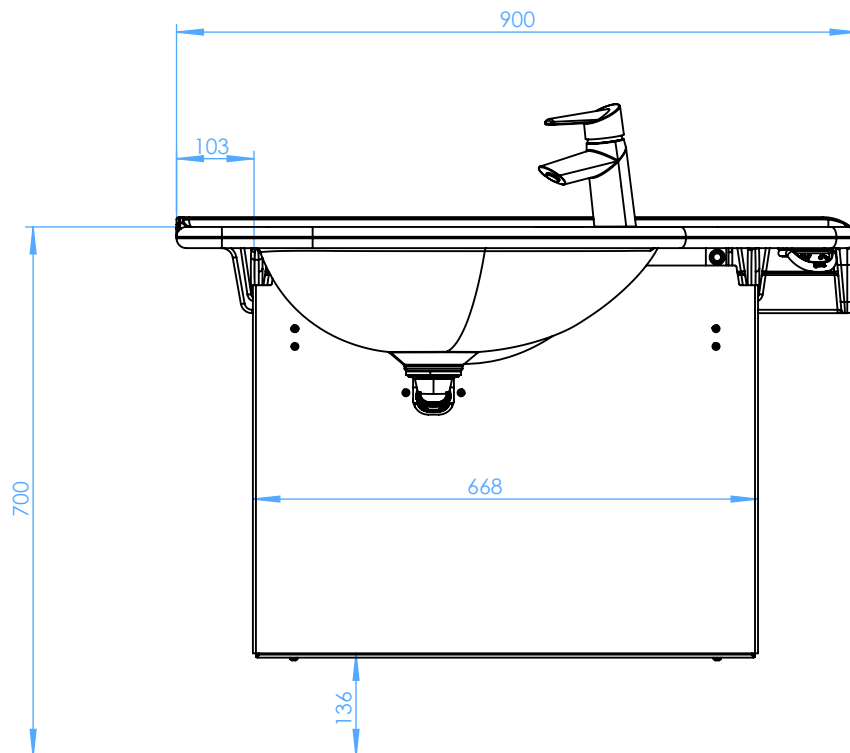
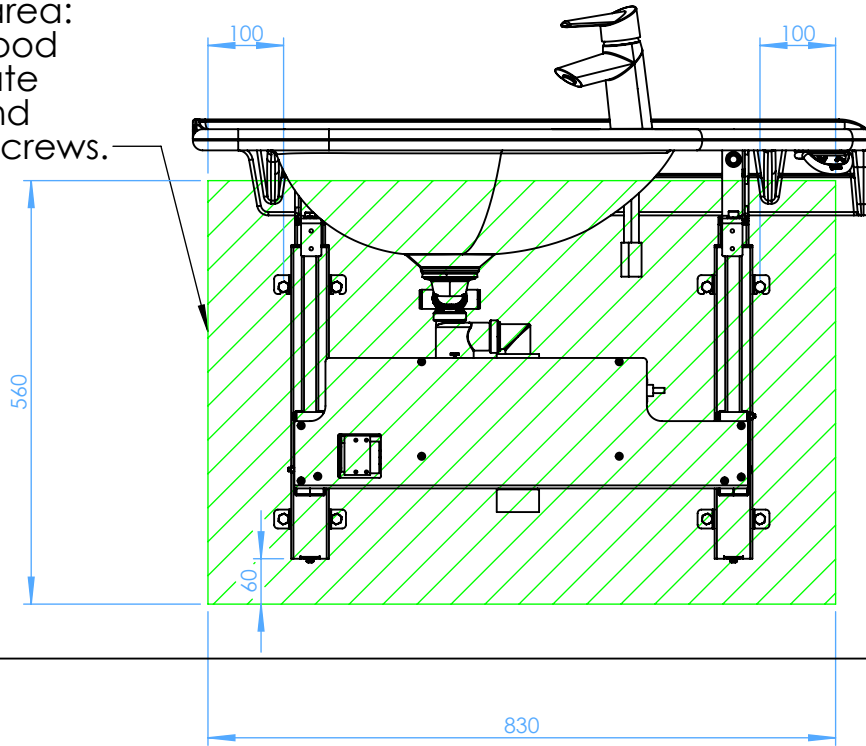
Mounting hole positions



IMPORTANT NOTICE! Leave a 5-8 mm gap between the basin and any walls next to it.



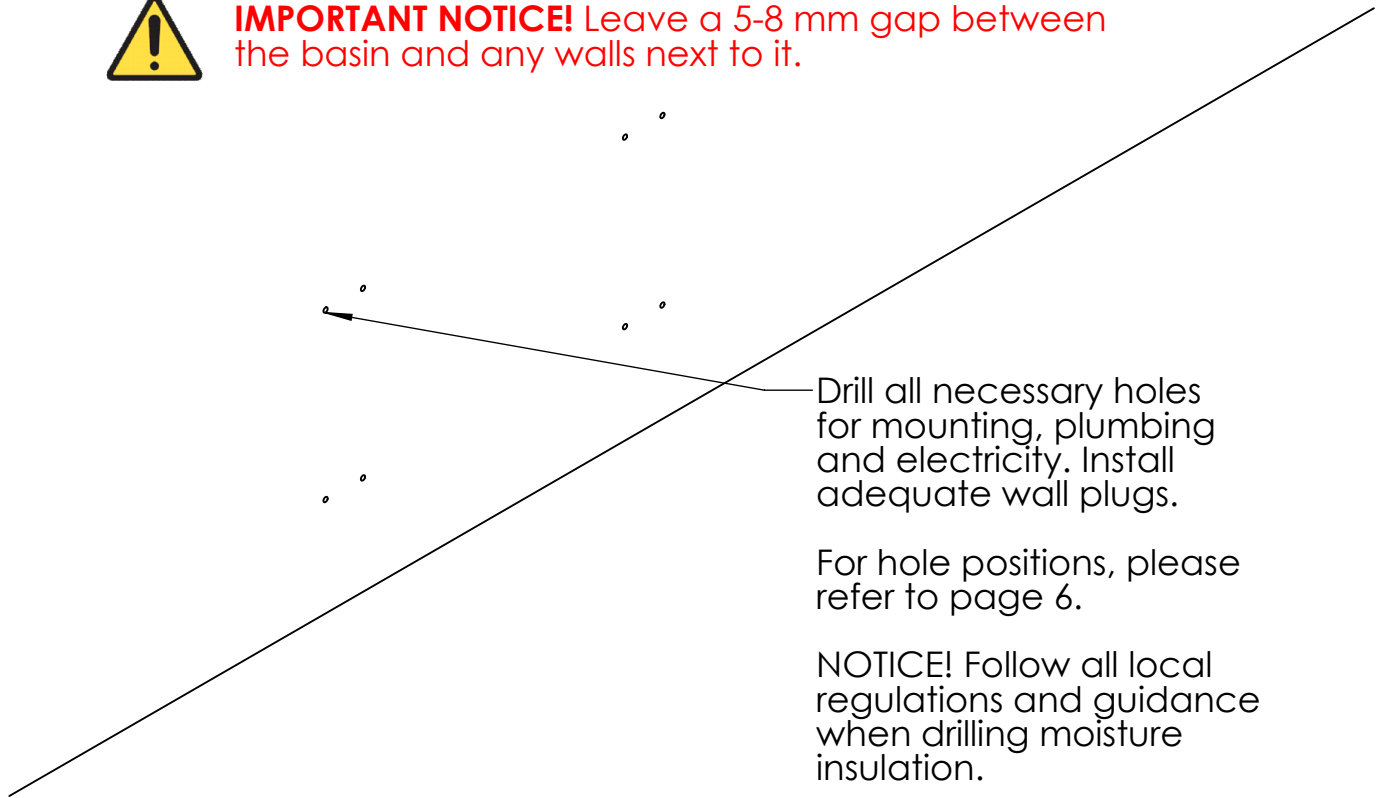
Reinforced area:
20 mm plywood
with adequate
wall plugs and
8 mm deck screws.



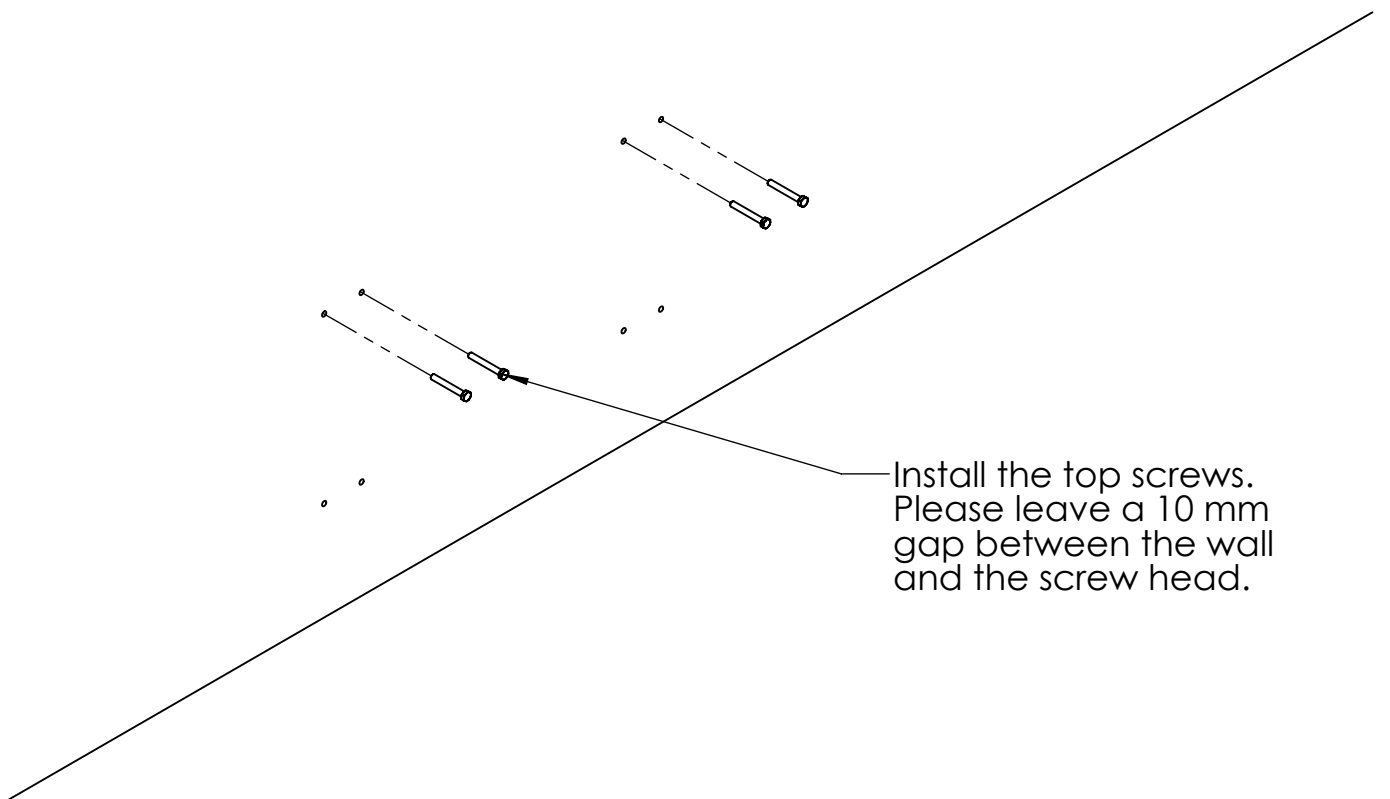
1.



IMPORTANT NOTICE! Leave a 5-8 mm gap between the basin and any walls next to it.



2.

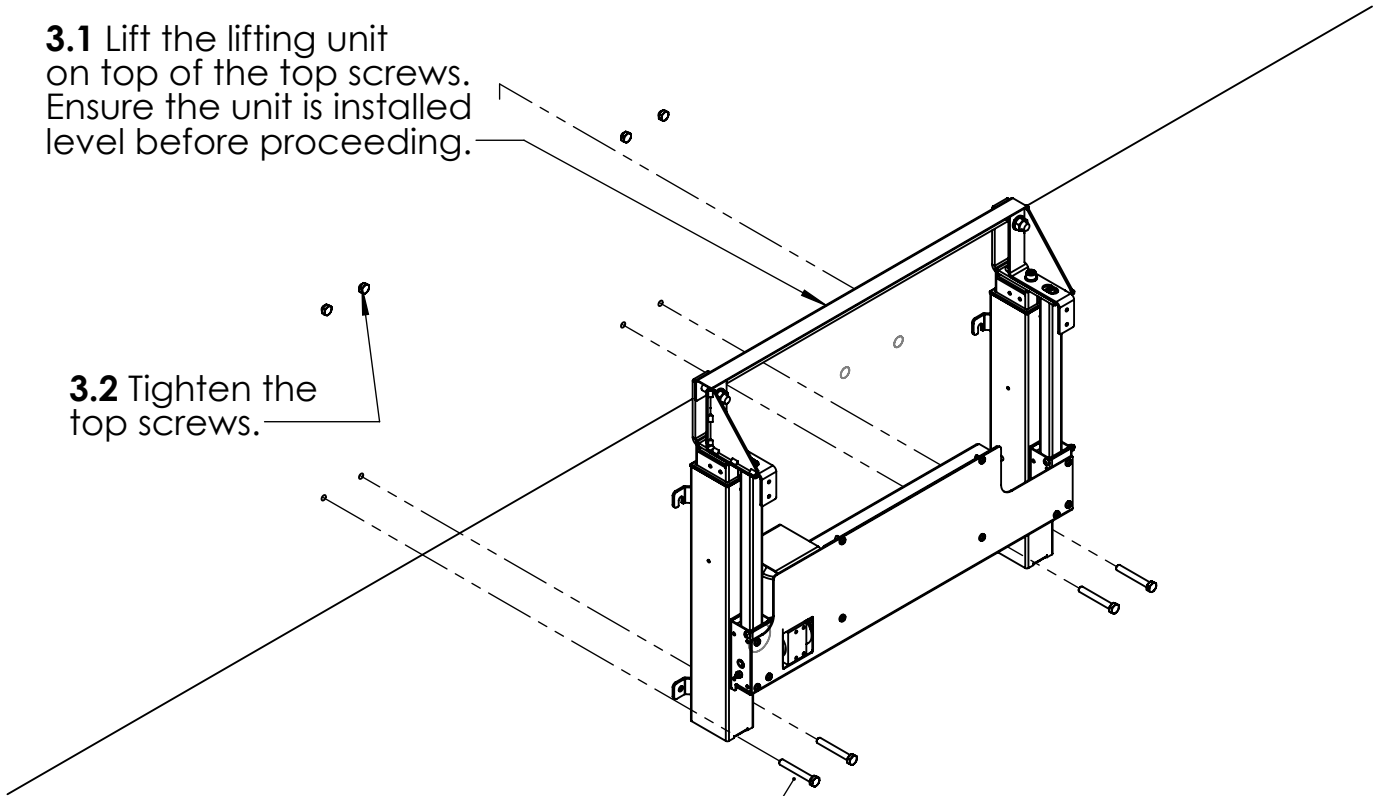


3.

3.1 Lift the lifting unit on top of the top screws. Ensure the unit is installed level before proceeding.

3.2 Tighten the top screws.

3.3 Insert and tighten the bottom screws.

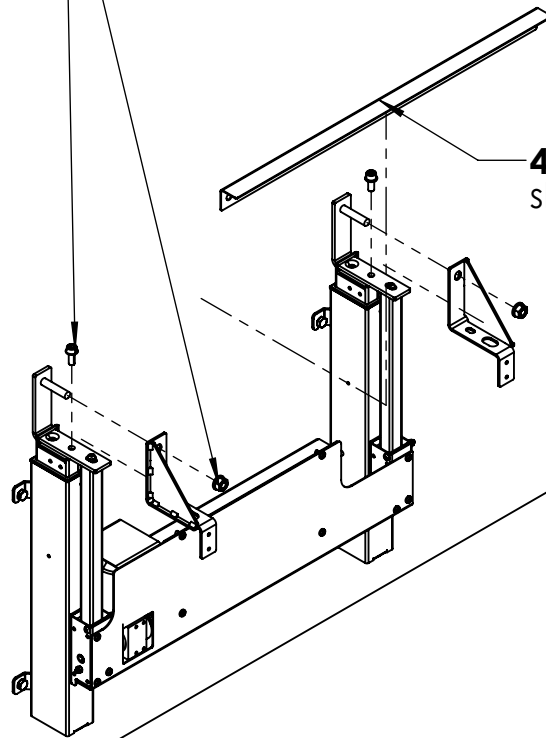


3.4 Plug the unit to an outlet and test it by driving to the top and bottom positions.

IMPORTANT NOTICE! While testing, keep hands and tools away from the open mechanism. Before continuing work, unplug the unit.

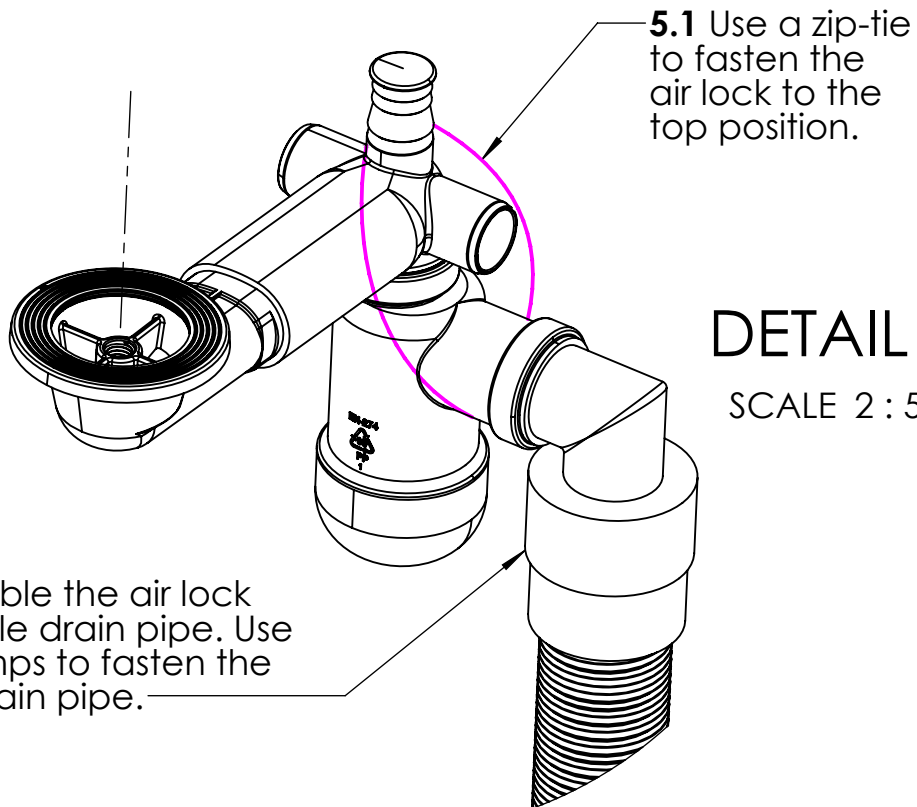
4.

4.1 Remove the basin mounts and fasteners. **IMPORTANT NOTICE!** Do not discard the basin mount or these fasteners.

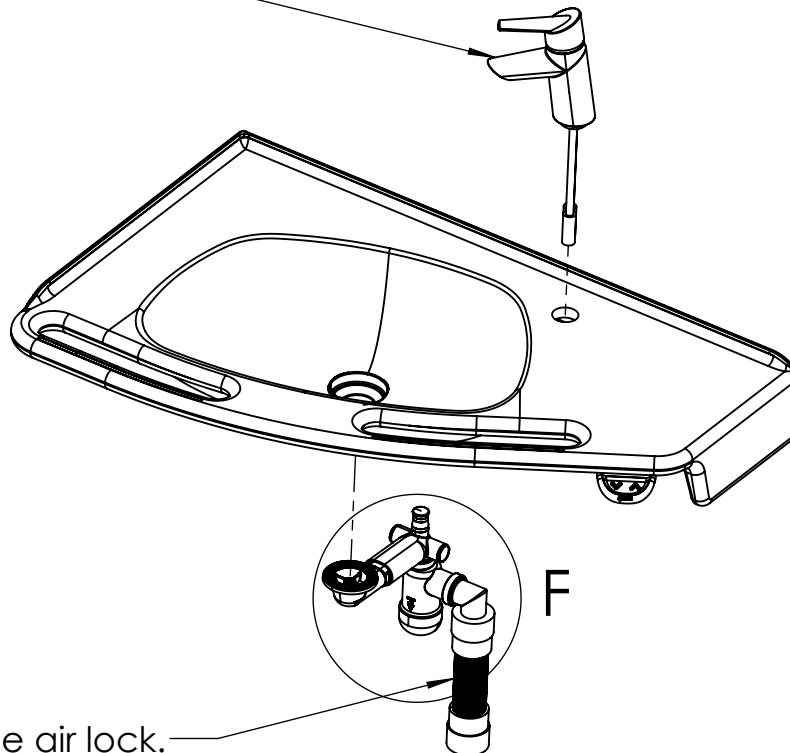


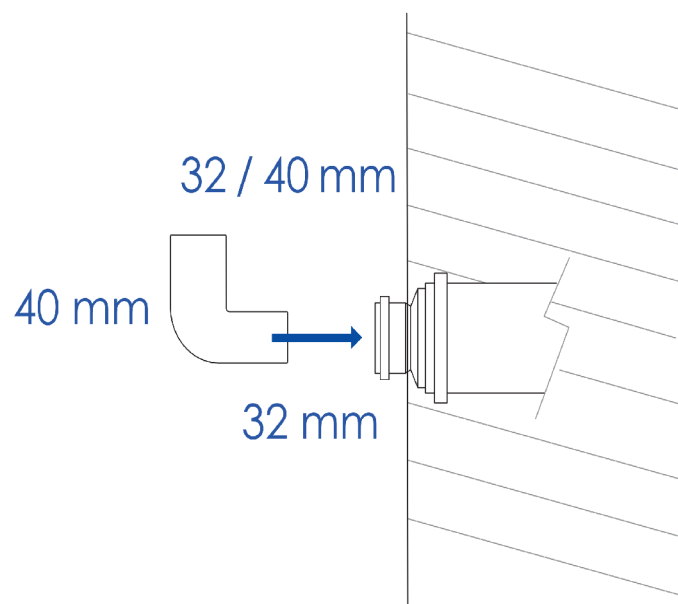
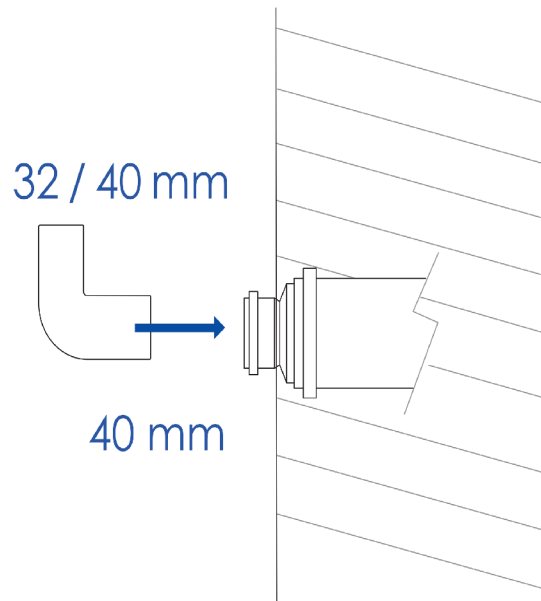
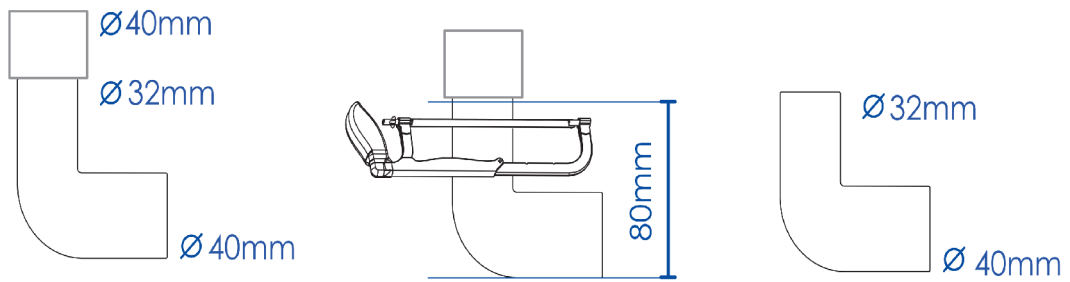
4.2 You may discard the shipping support.

5.



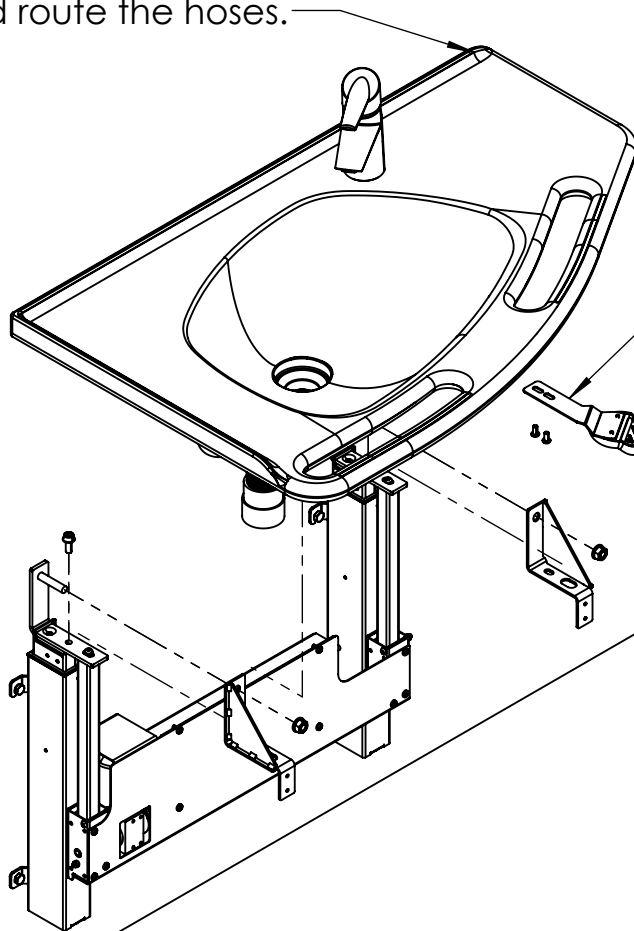
5.3 Install the faucet. NOTICE!
Cut the faucet tubes to a length of 150 mm.



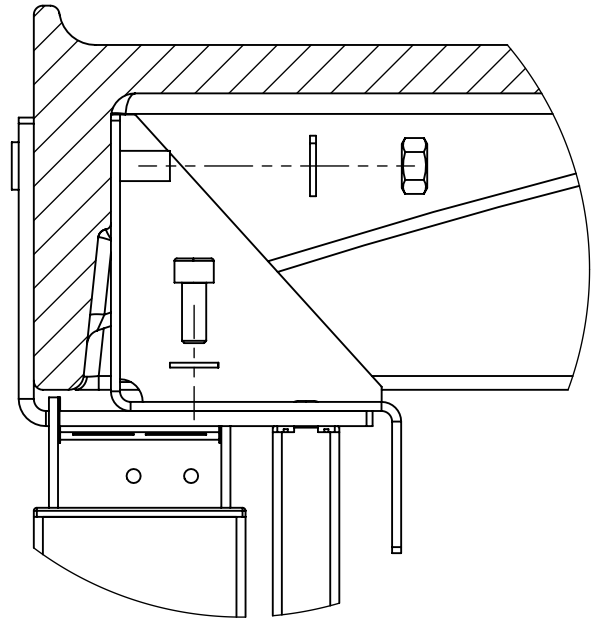
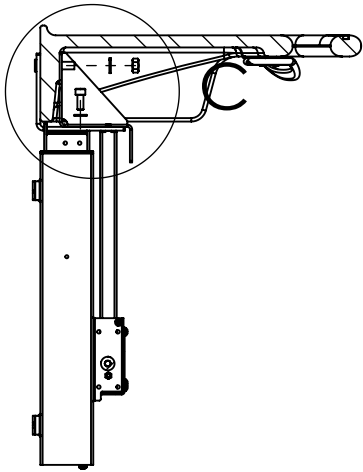


6.

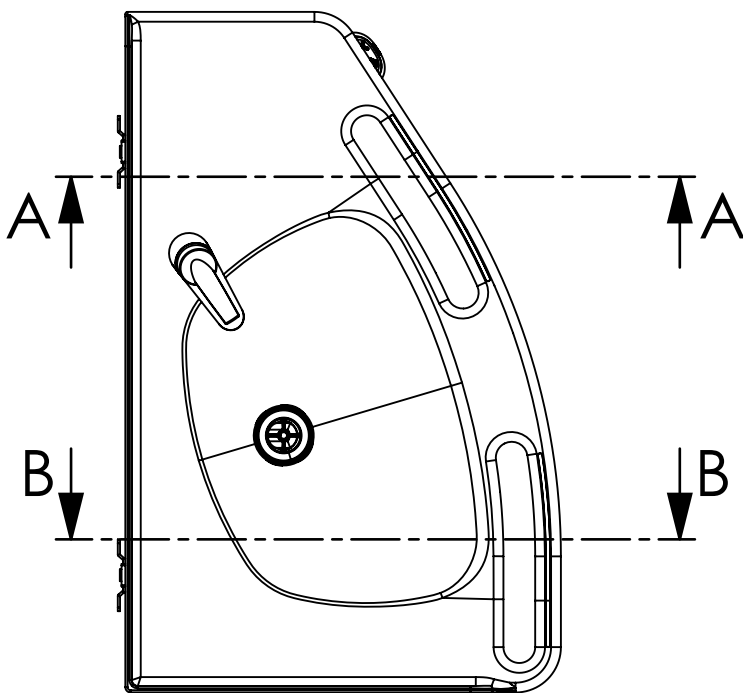
6.1 Mount the assembled basin and route the hoses.



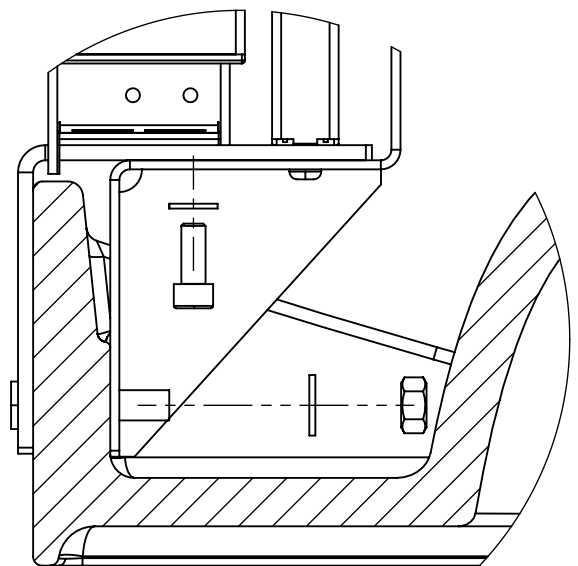
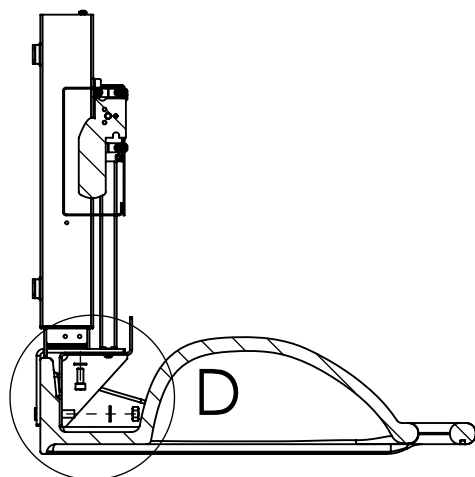
6.2 Mount the user interface.

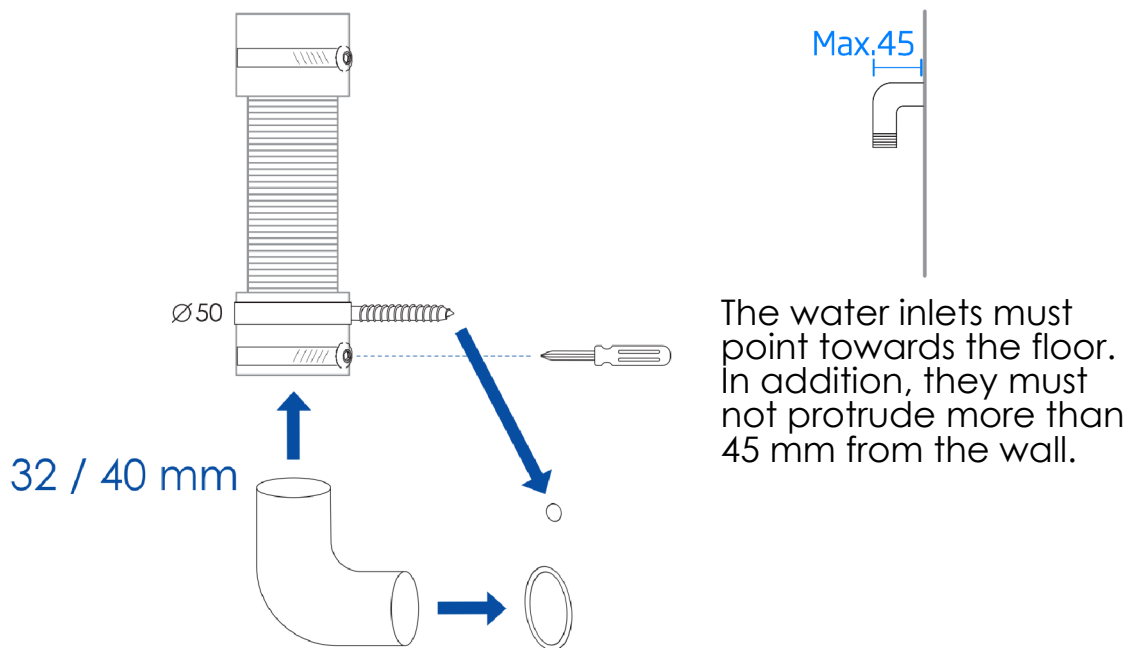
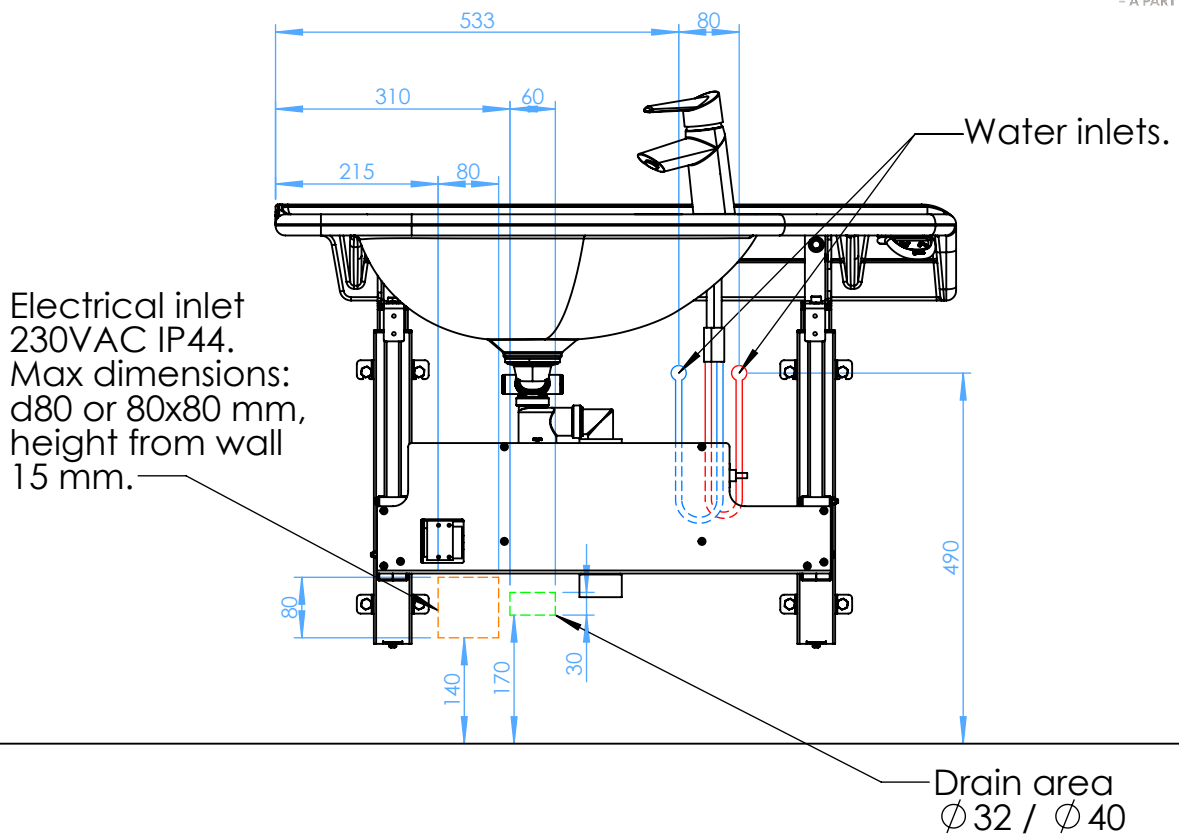


DETAIL C

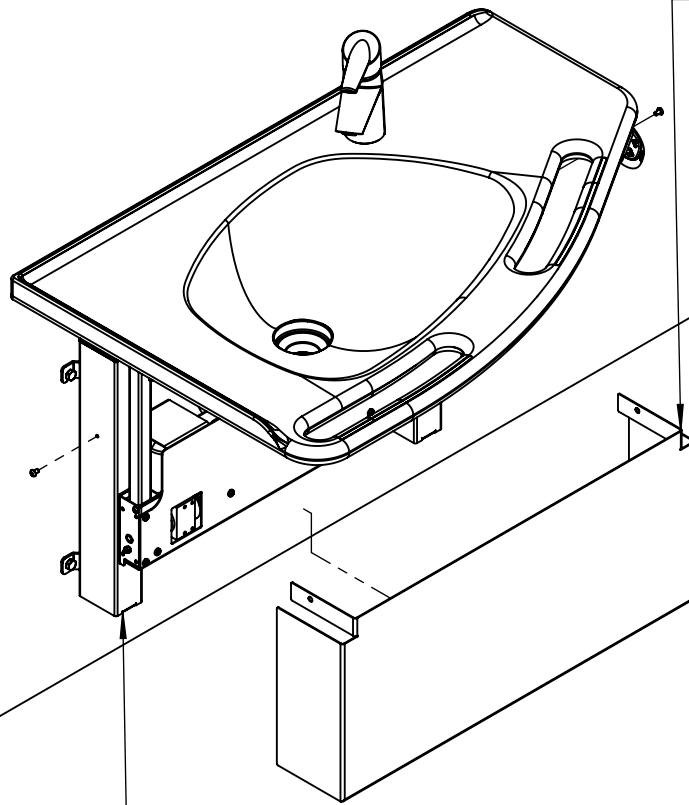


DETAIL D



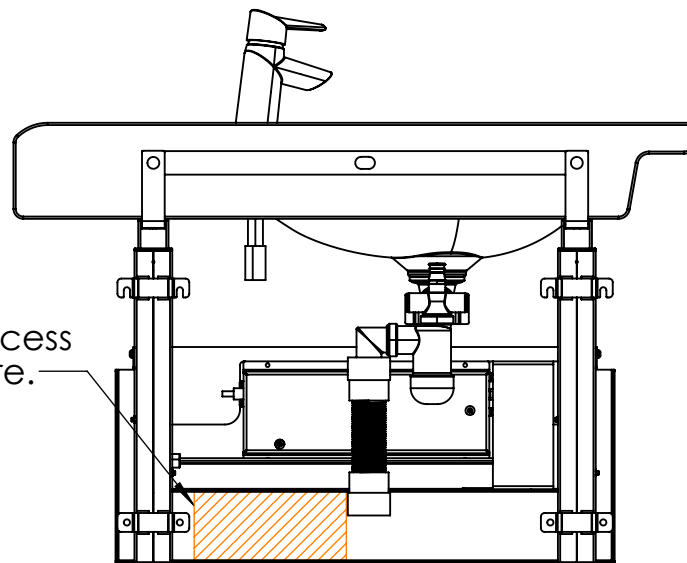


7.



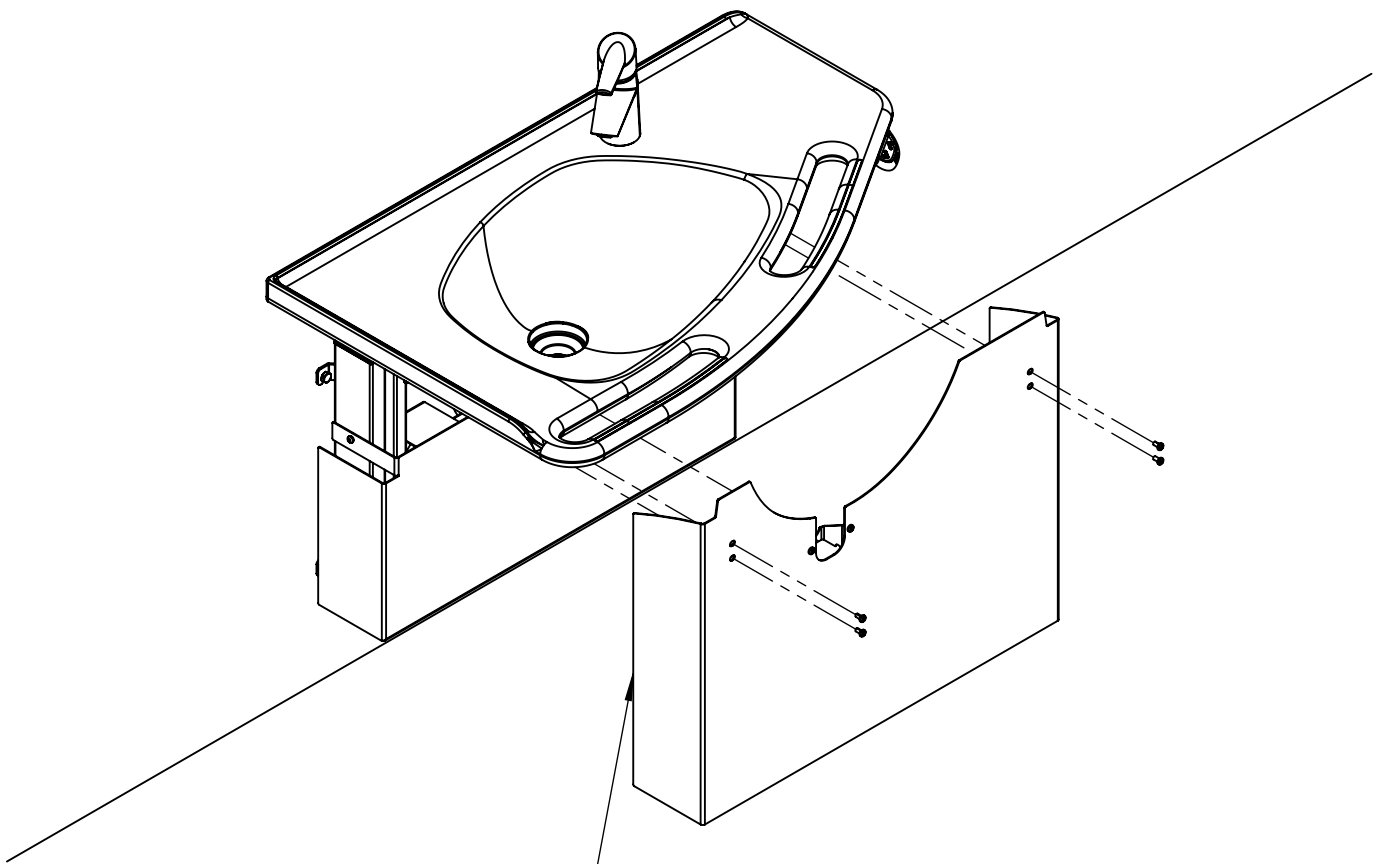
7.1 Install the bottom cover by sliding on it's place.

NOTICE! Remember the bottom screws.



7.2 Tuck the excess powercord here.

8.



8.1 Install the top cover.

8.2 Perform a final test of the unit.