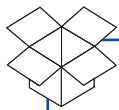
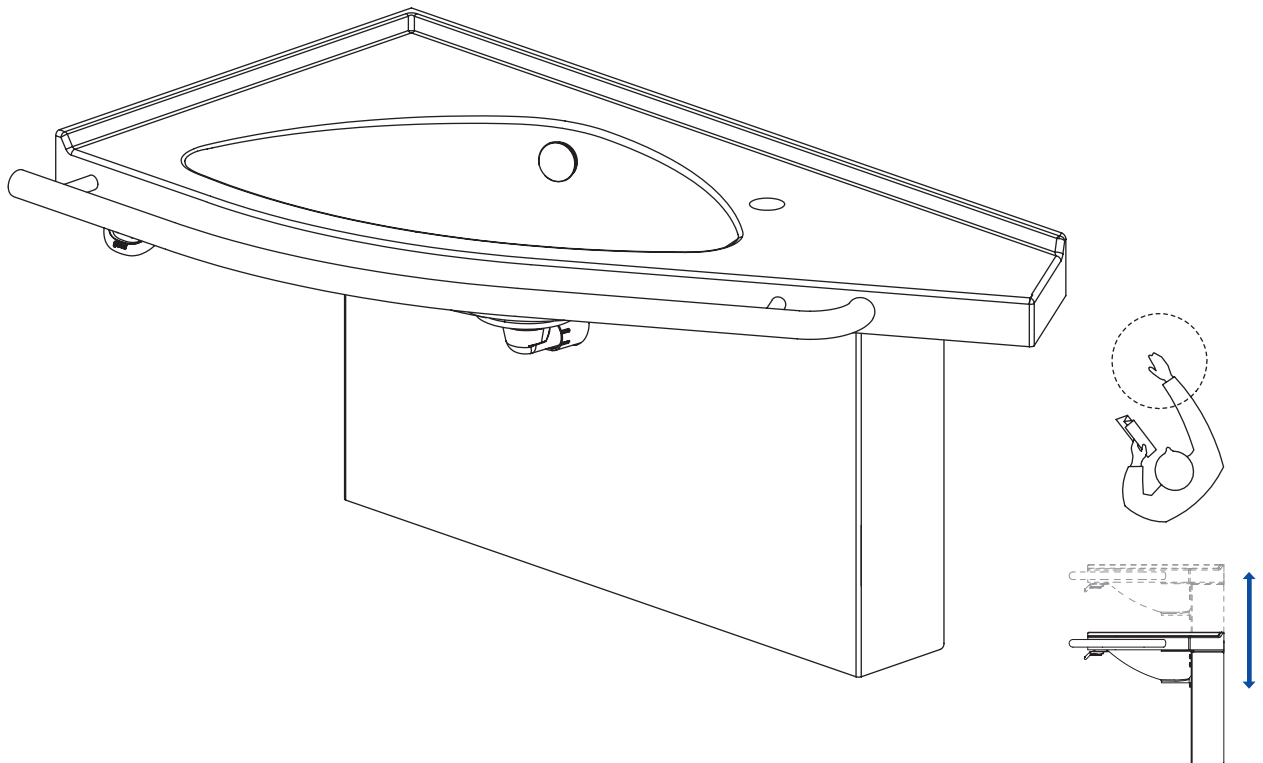


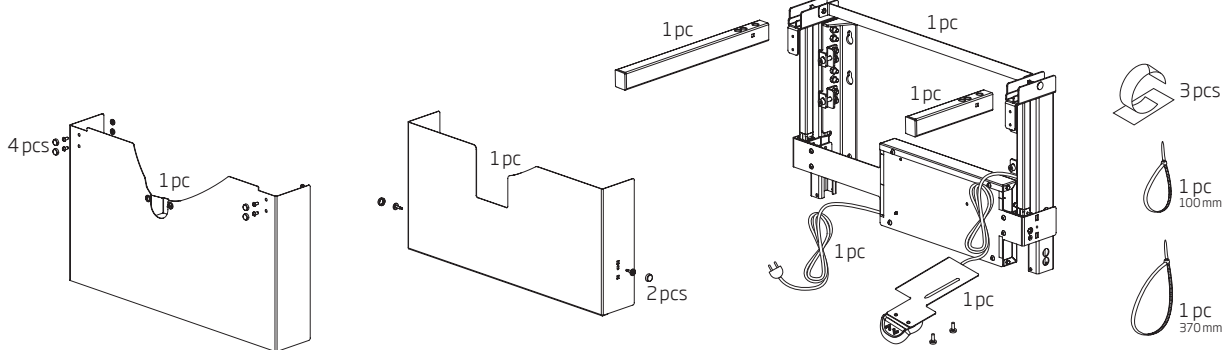
Original electrical basin

6513.5R

INSTALLATION INSTRUCTIONS



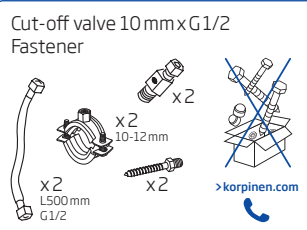
(Basin not included)



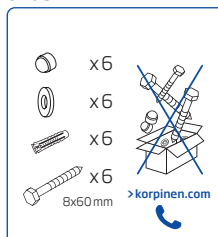
Tap



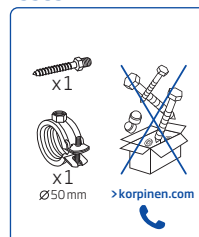
13970



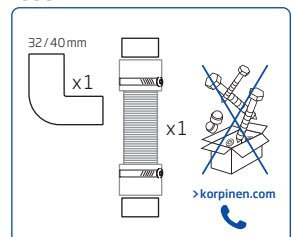
6208-Z



13983

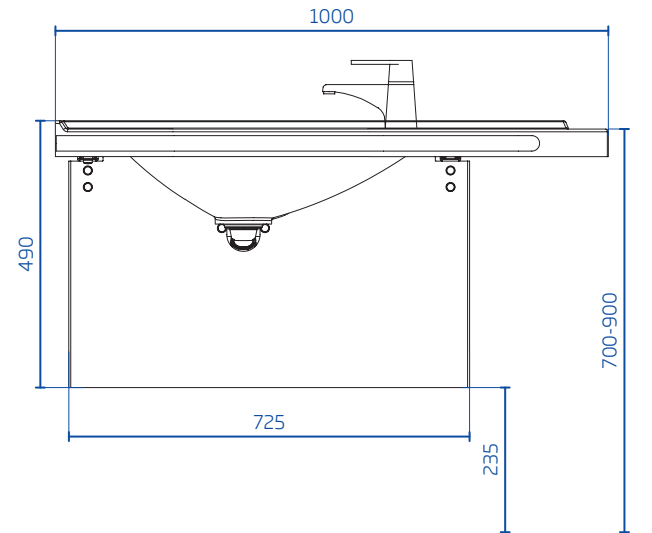


13982

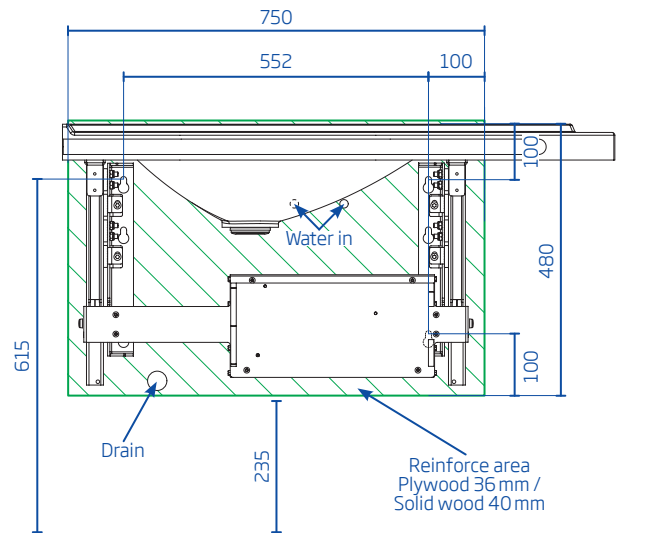


The installer must be a professional.

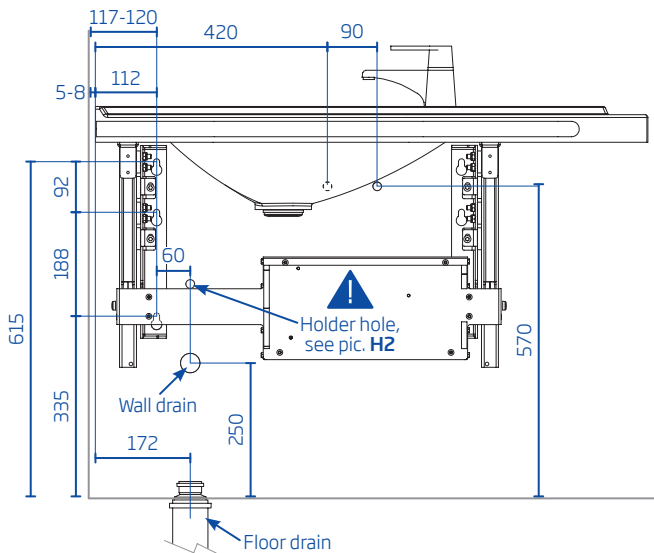
Outfit



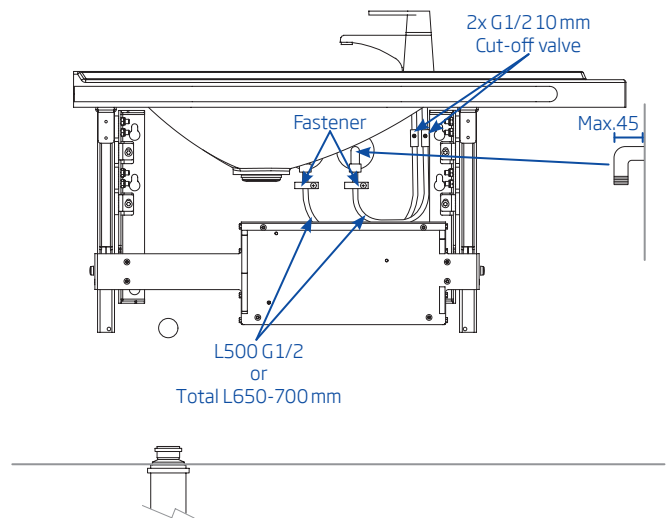
Reinforce area



Water and drain places, frame installation measures

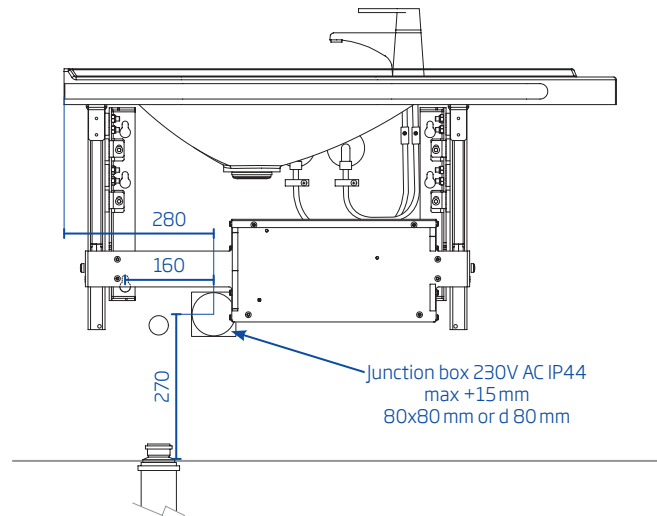


Water and drain pipes

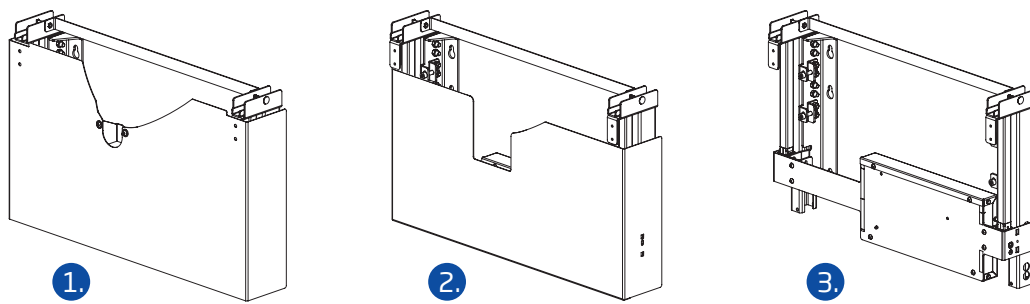


The installer must be a professional.

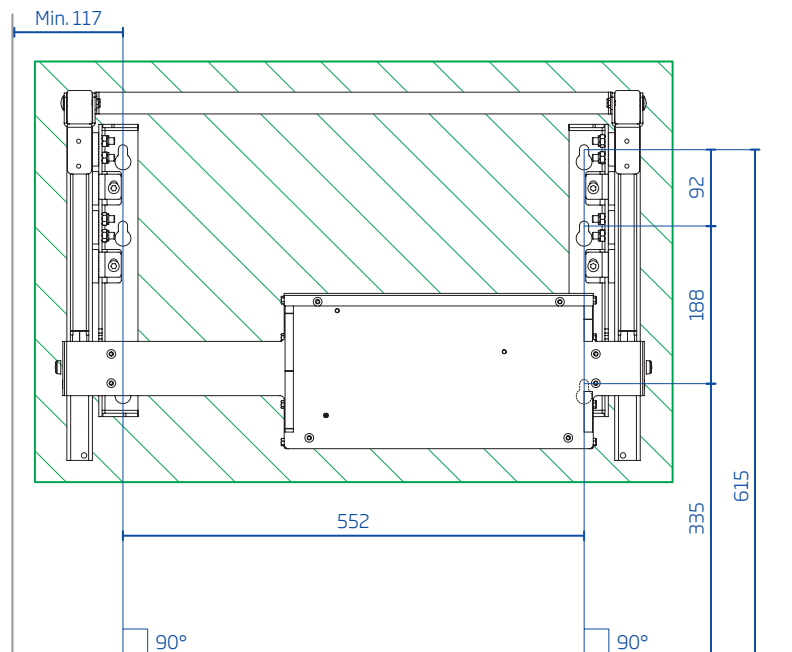
Junction box



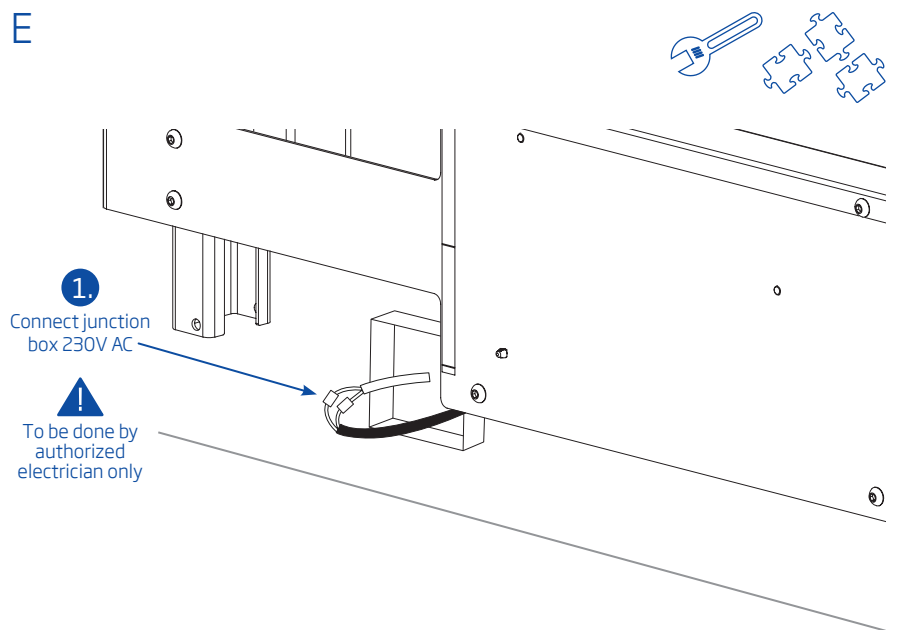
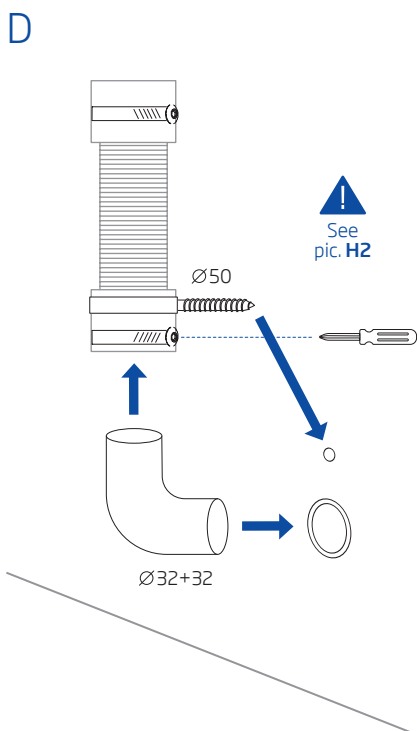
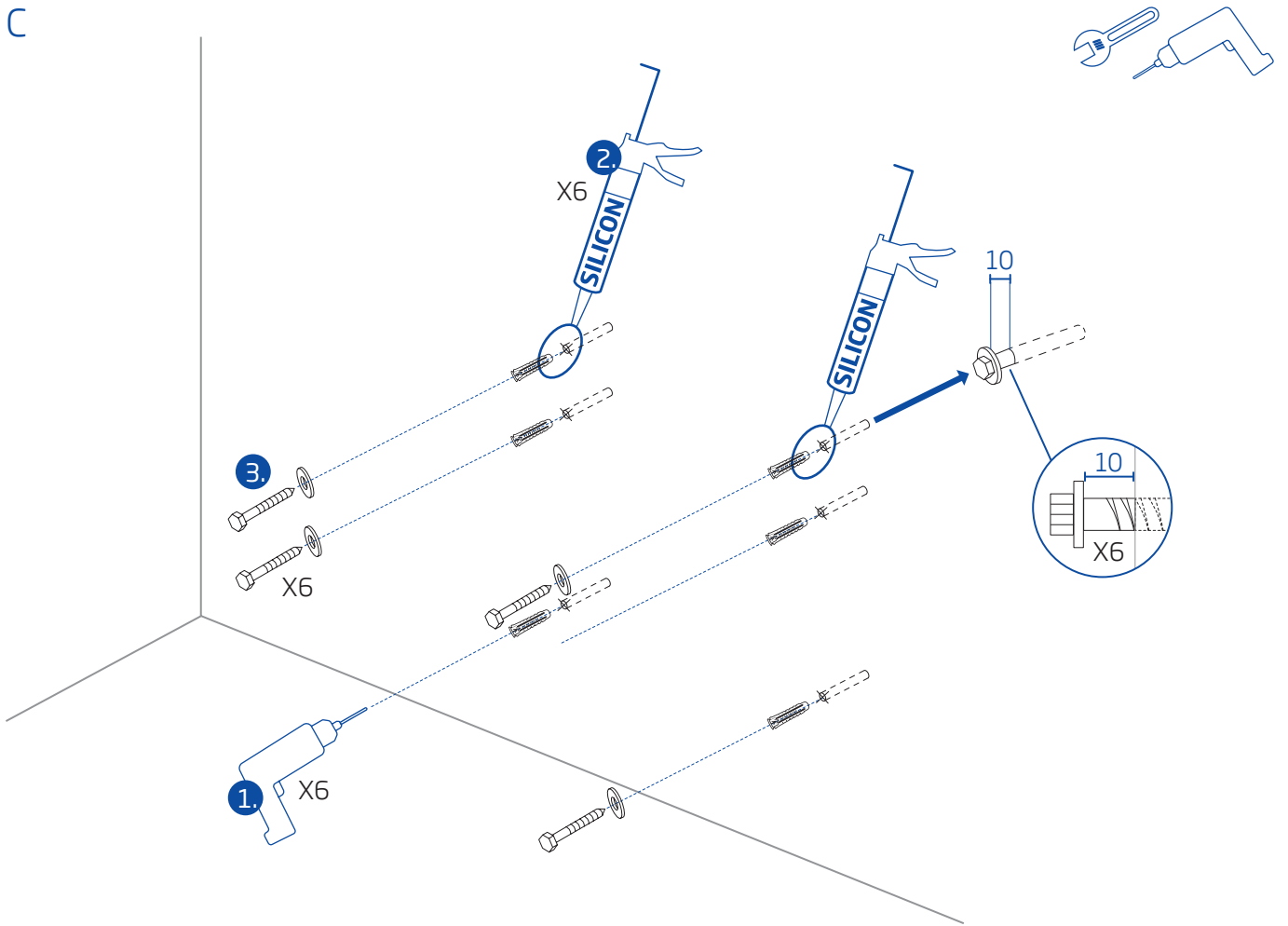
A



B

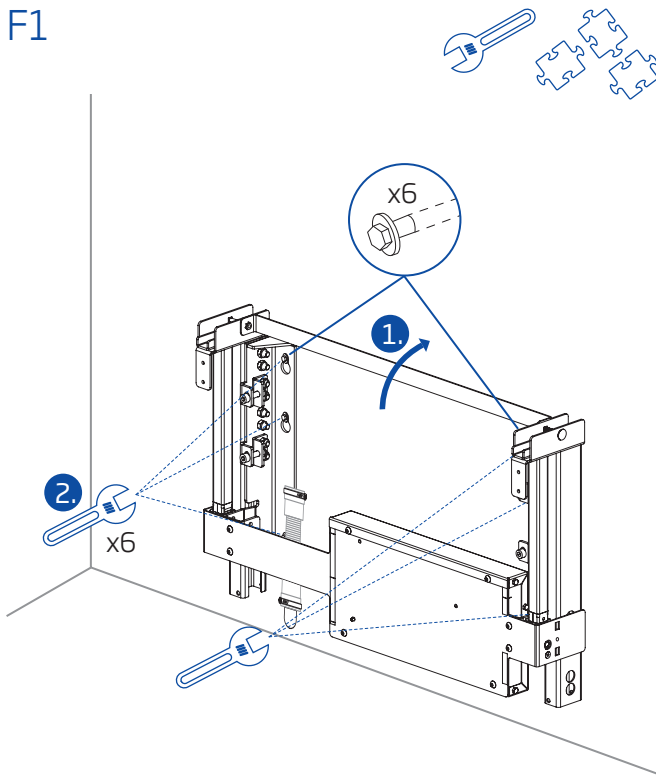


The installer must be a professional.

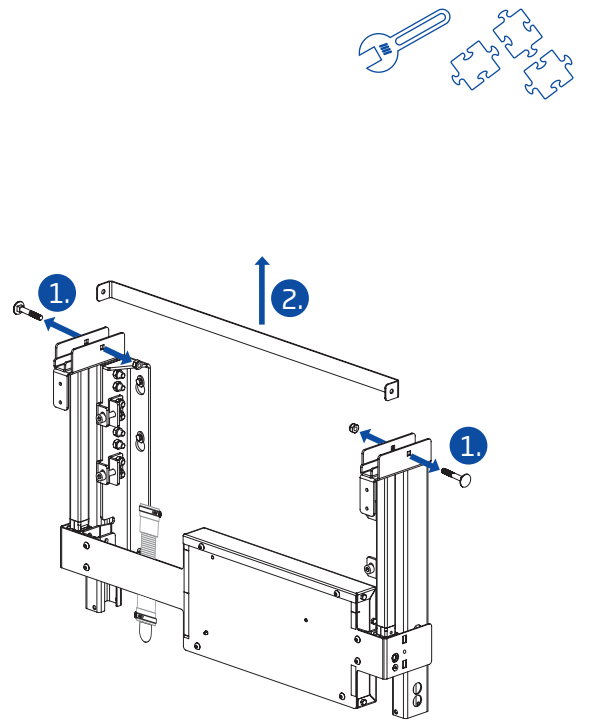


The installer must be a professional.

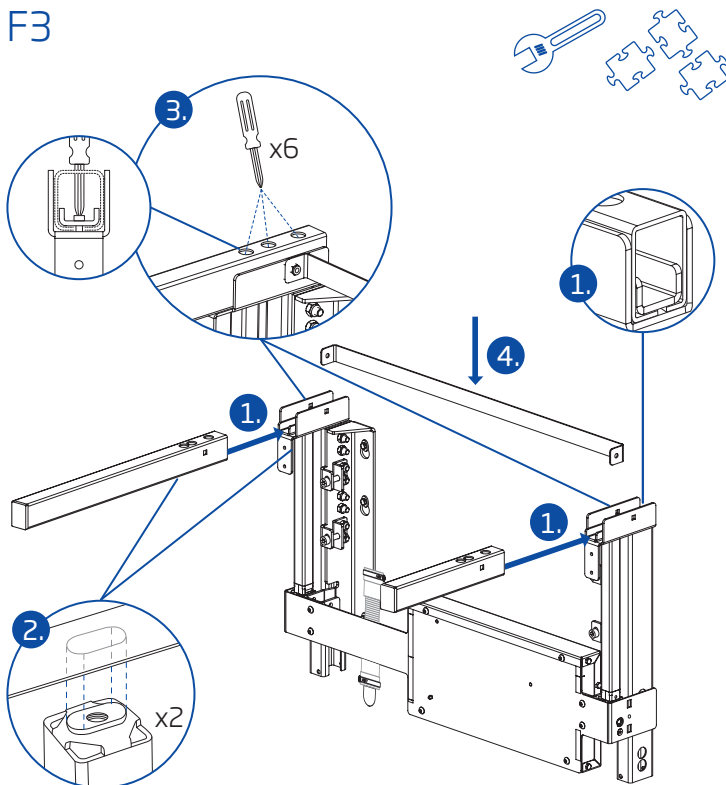
F1



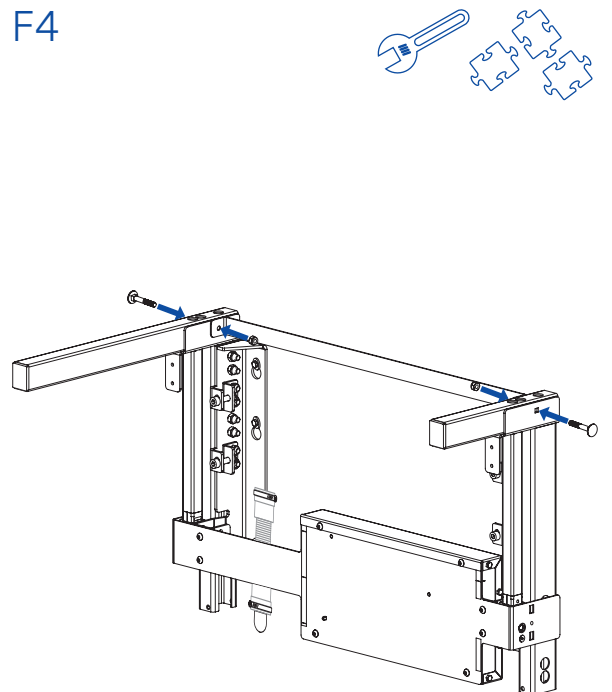
F2



F3

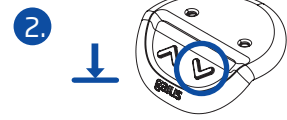
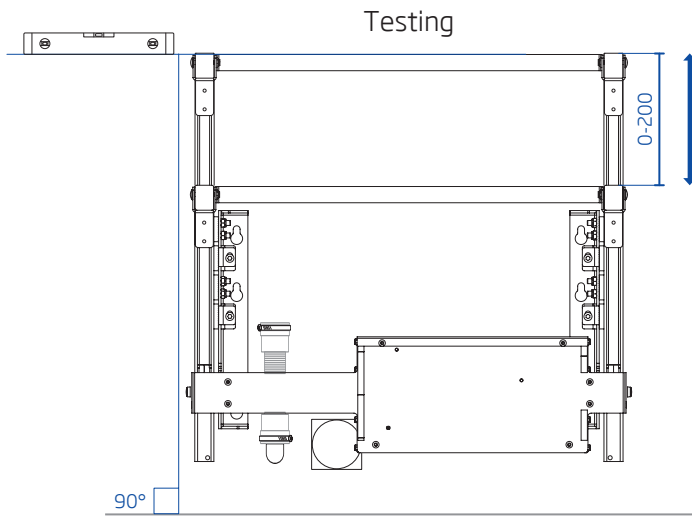


F4



The installer must be a professional.

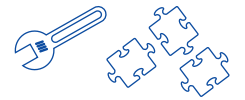
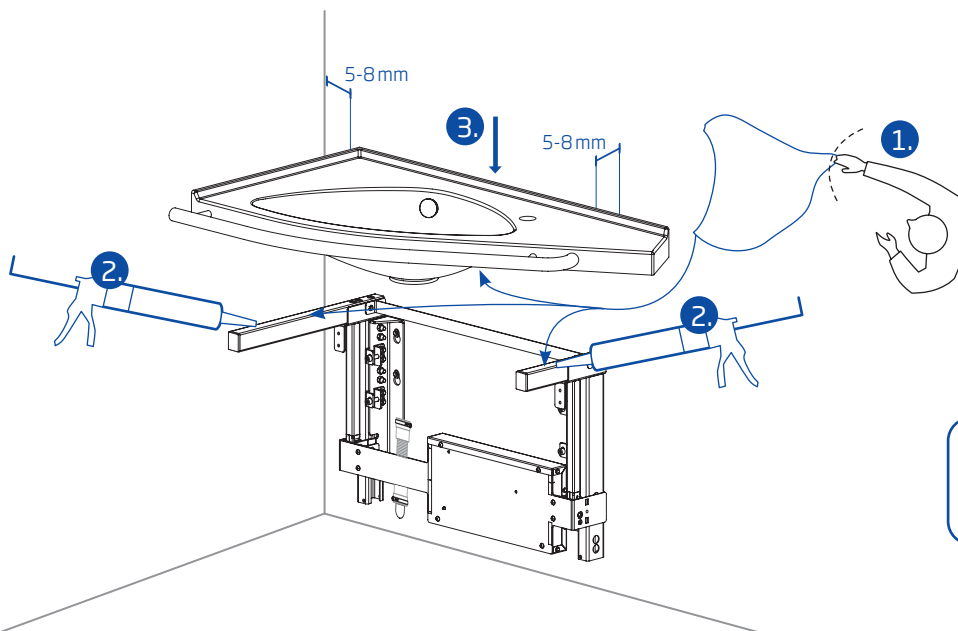
F5



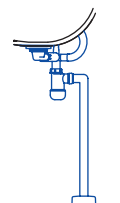
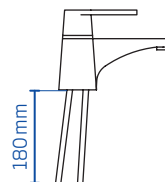
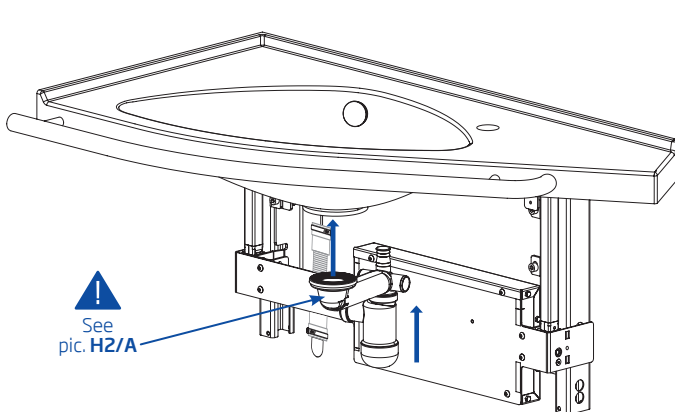
✓ Continue to step F

✗ Check steps C-E4 or >korpinen.com

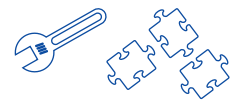
G



H1

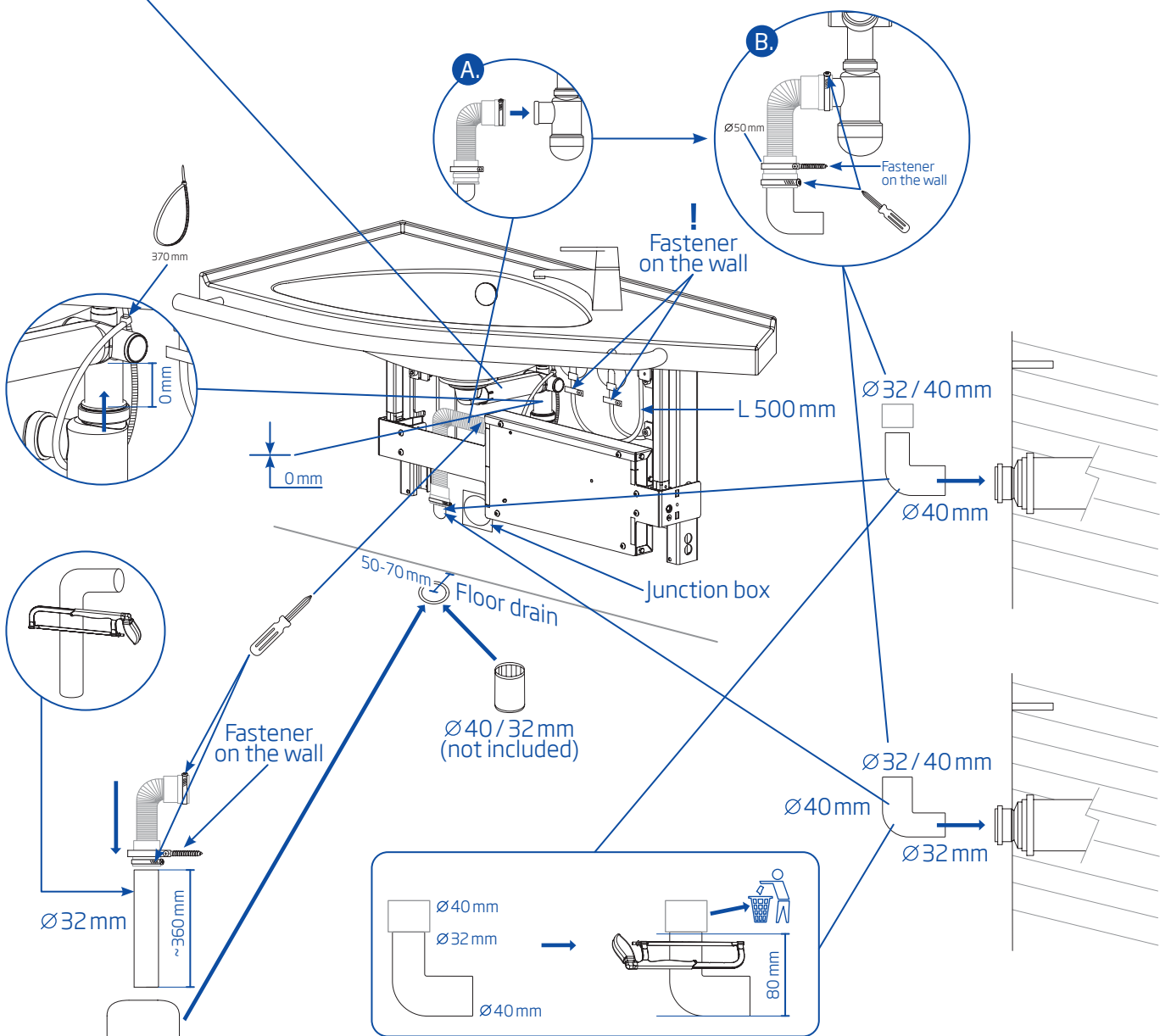
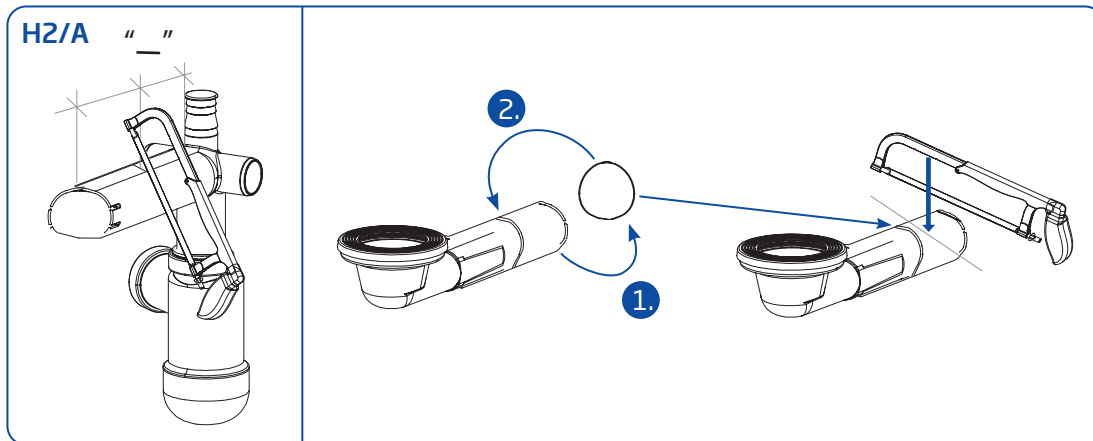
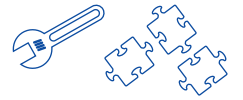


>korpinen.com
https://www.korpinen.com/uploads/documents/Gaius_water_trap-2018.pdf



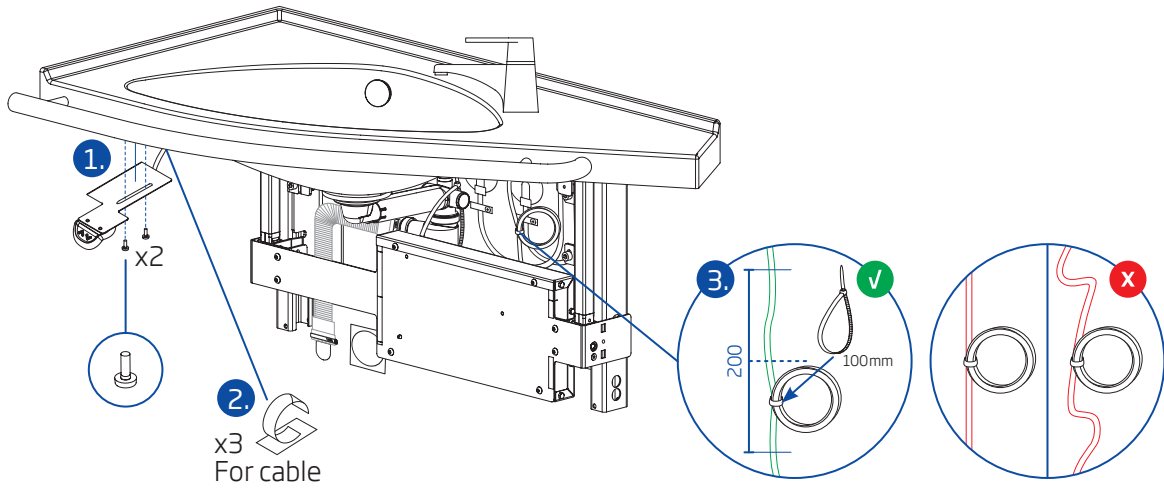
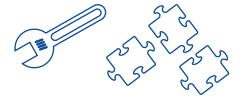
The installer must be a professional.

H2

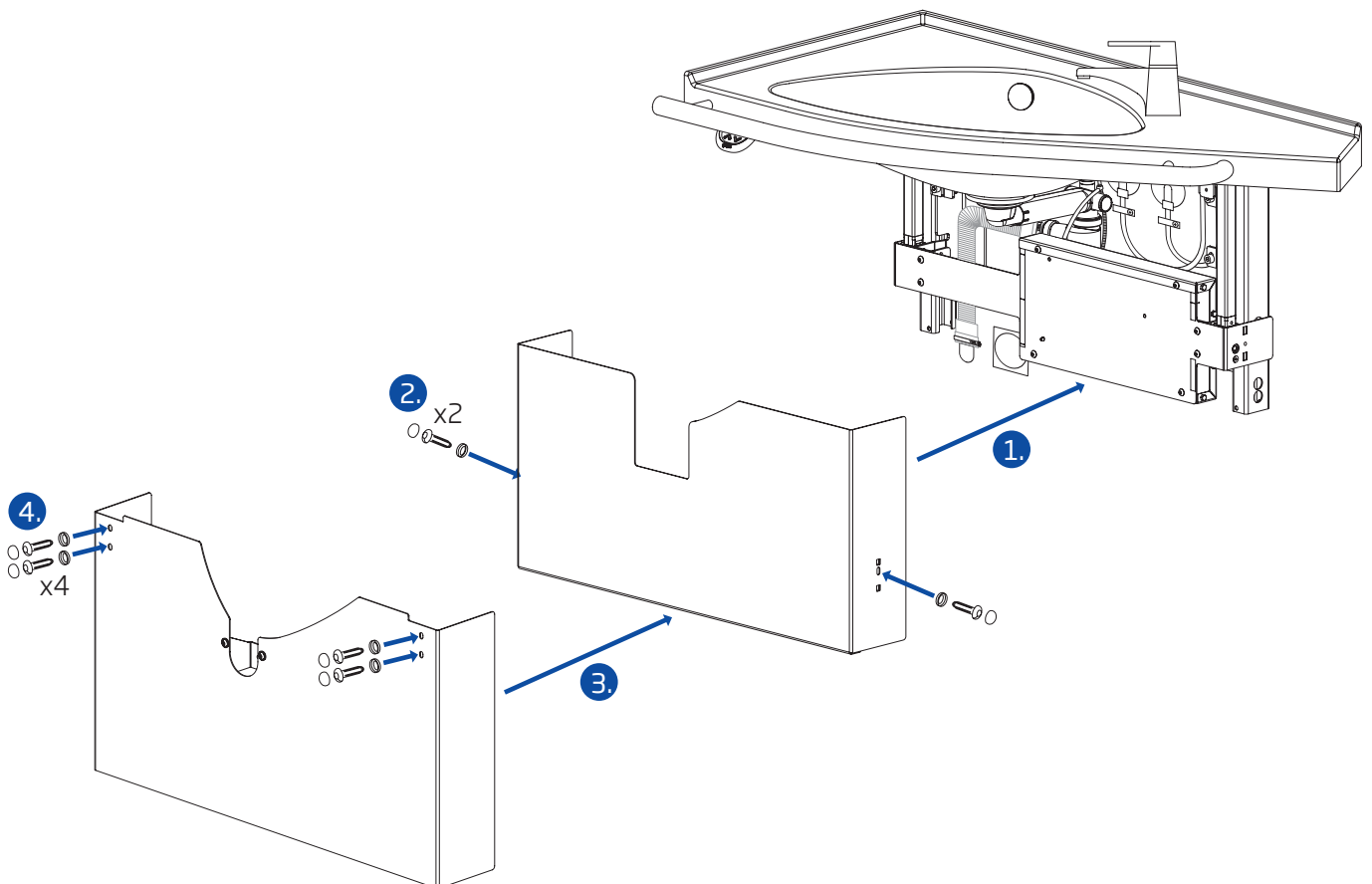
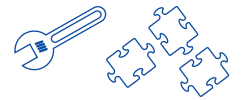


The installer must be a professional.

I1

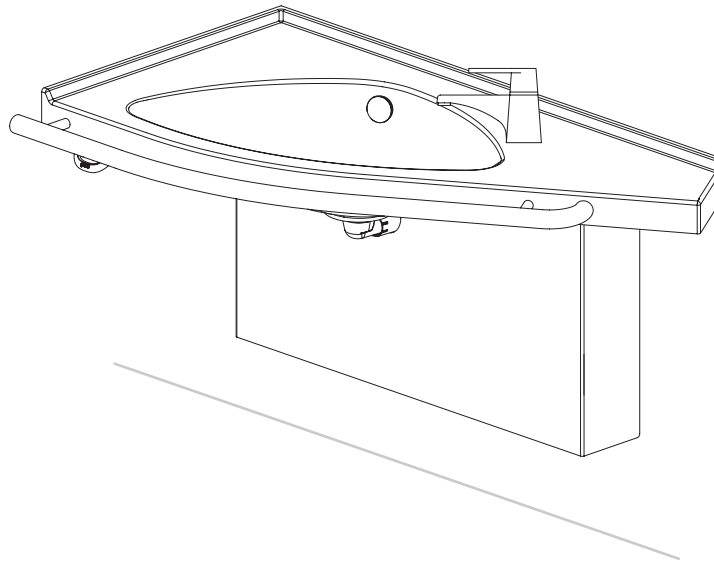


I2



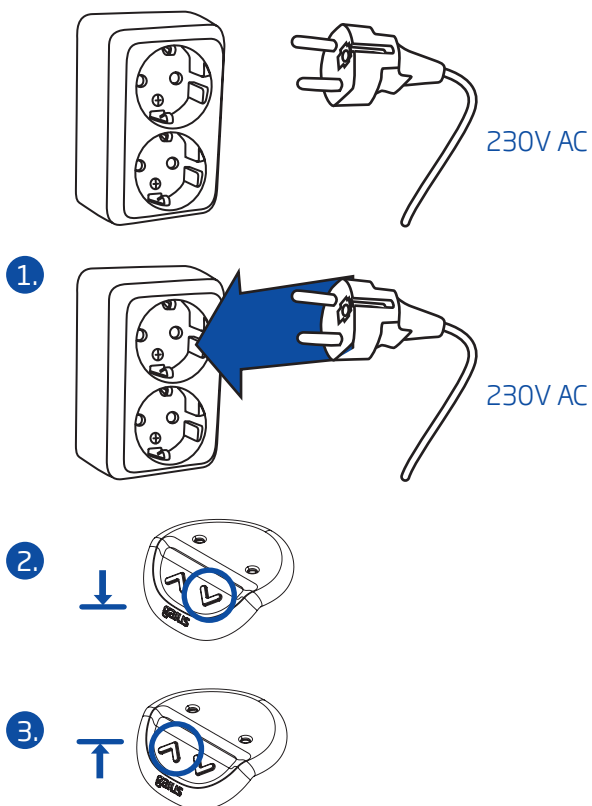
The installer must be a professional.

J



Trouble shooting / Ongelmatilanteita

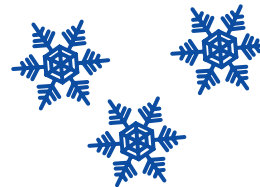
Power cut / Sähkökatko



Motor drive / Moottorin ajoaika



1 min
Drive
Ajoaika



5 min
Cooling
Jäähdytys

?
>korpinen.com

korpinen@korpinen.com

The installer must be a professional.