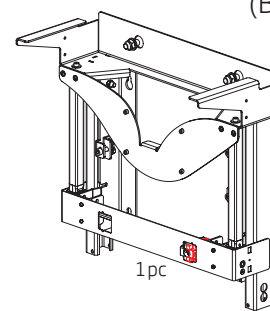
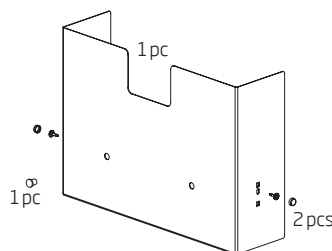
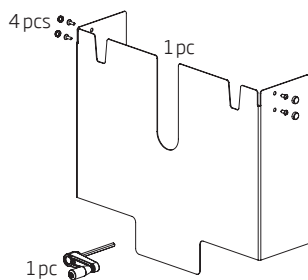
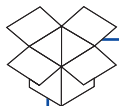
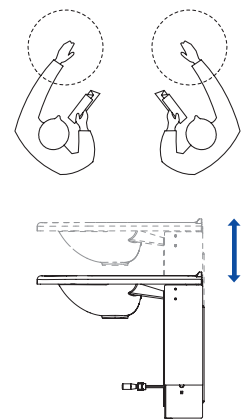
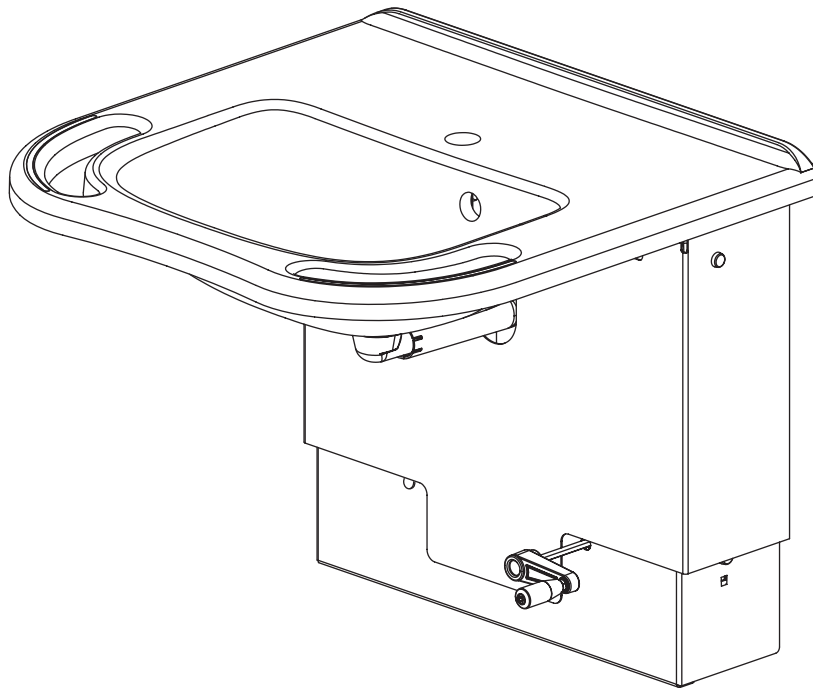


Royal basin with crank

6251.4

INSTALLATION INSTRUCTIONS

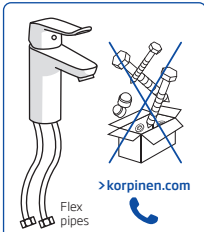


(Basin not included)

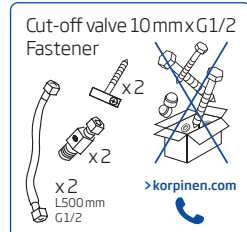


1 pcs

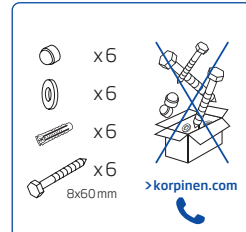
Tap



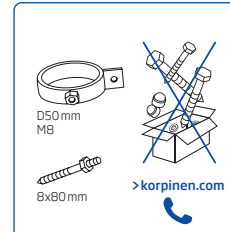
13970



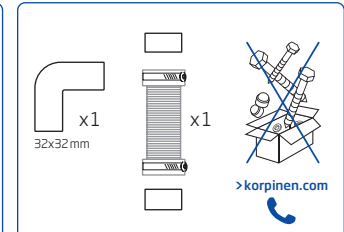
6208-Z



13983

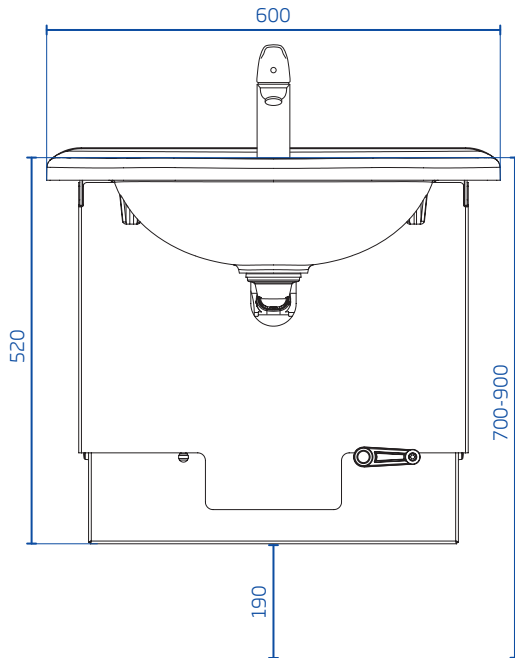


13982

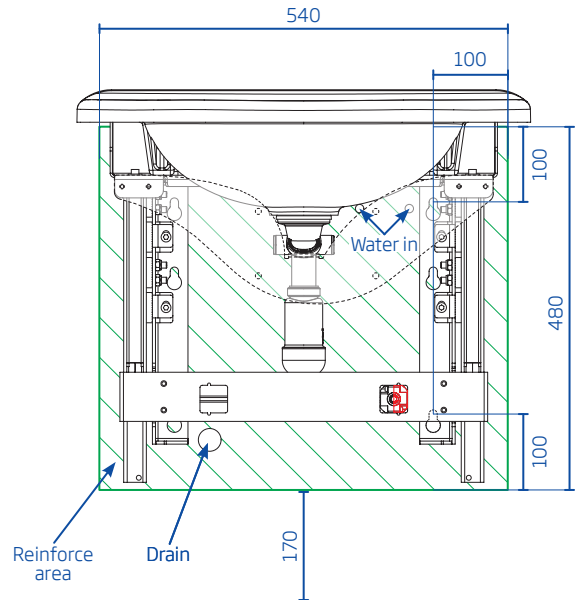


The installer must be a professional.

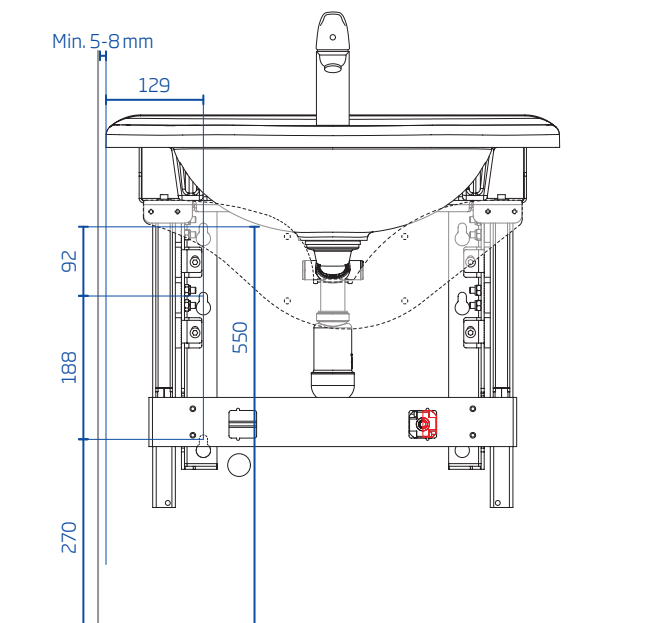
Outfit



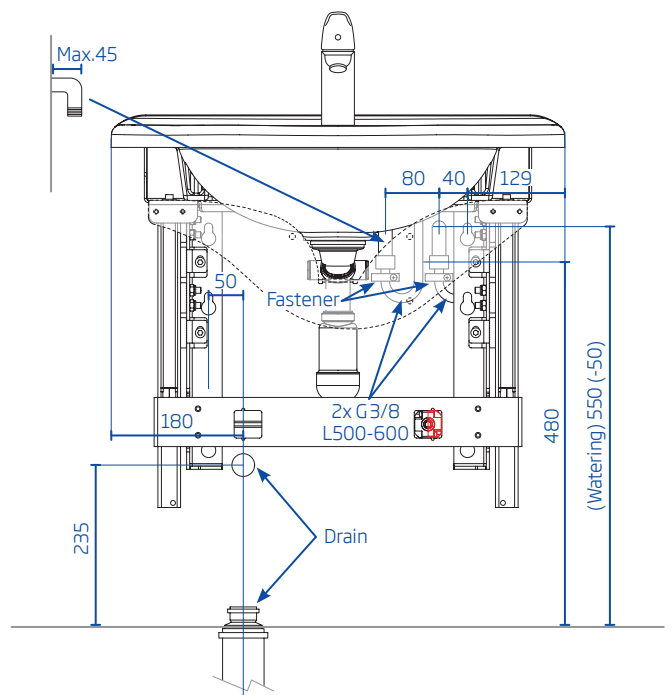
Reinforce area



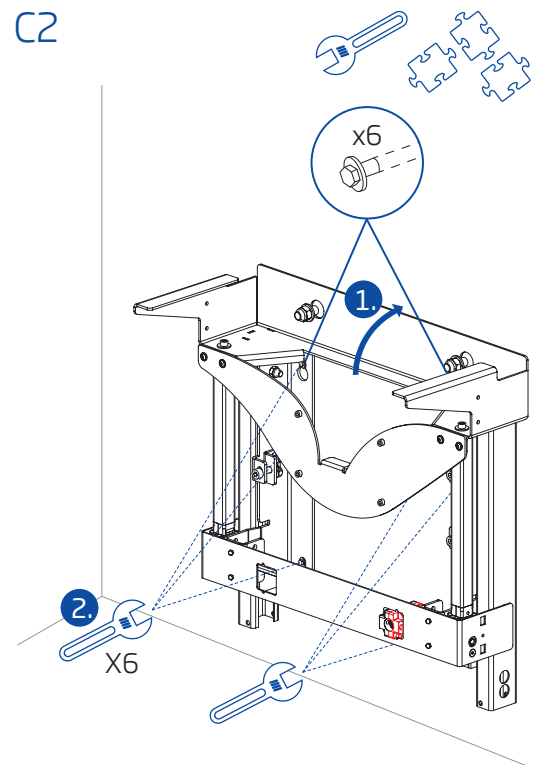
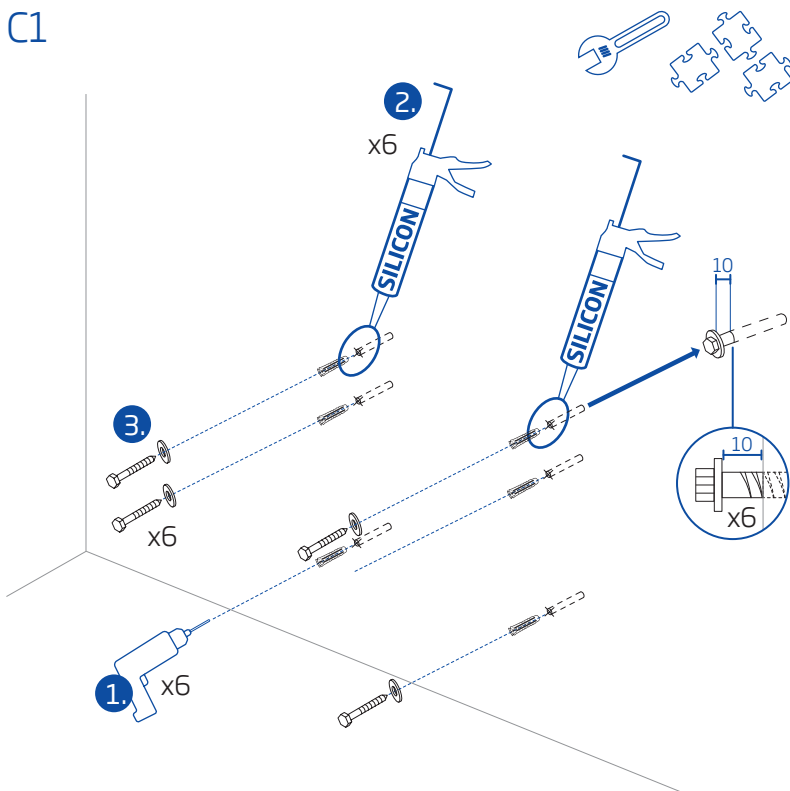
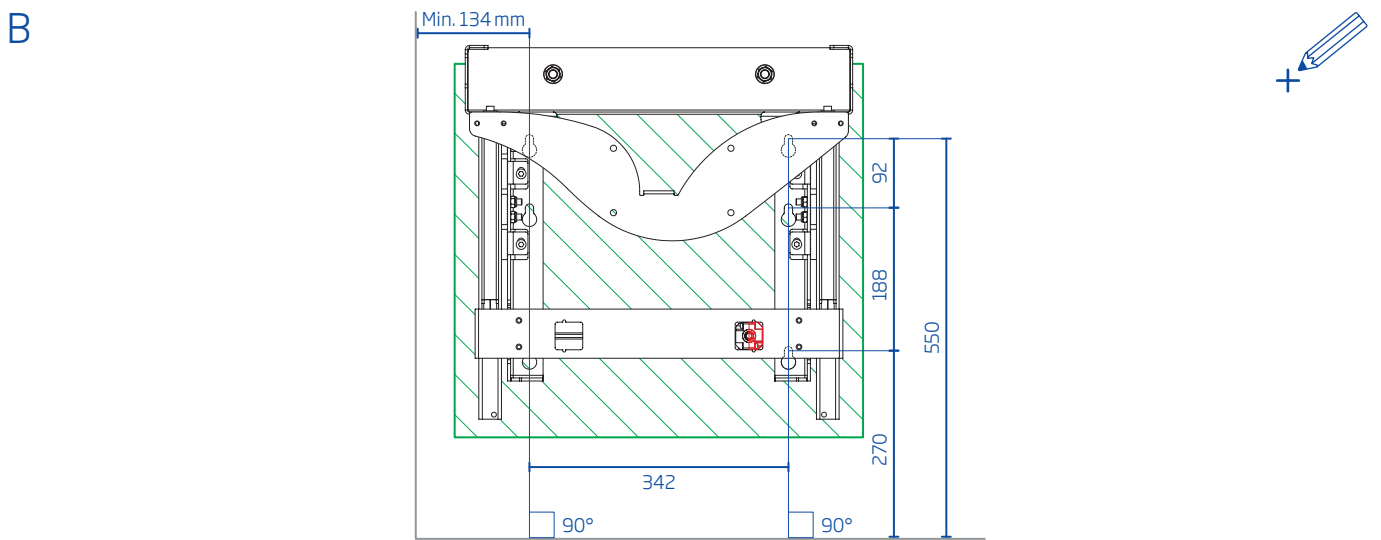
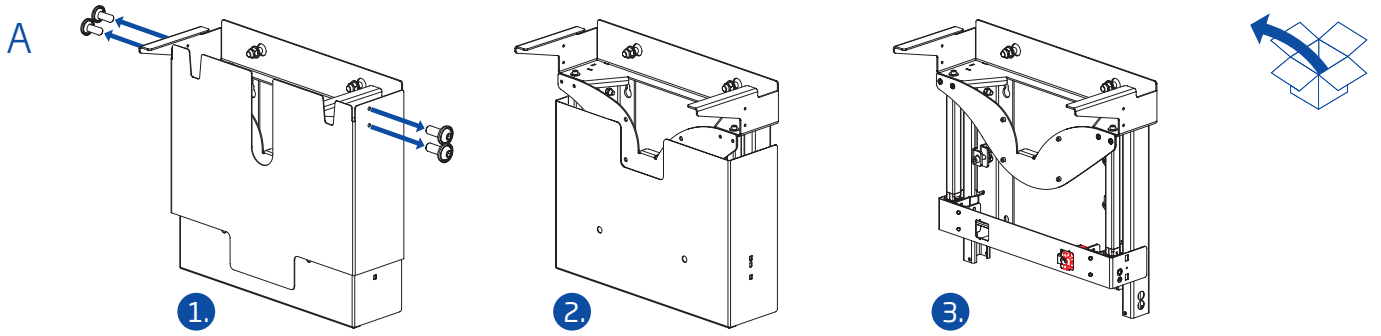
Frame installation measures



Water and drain places



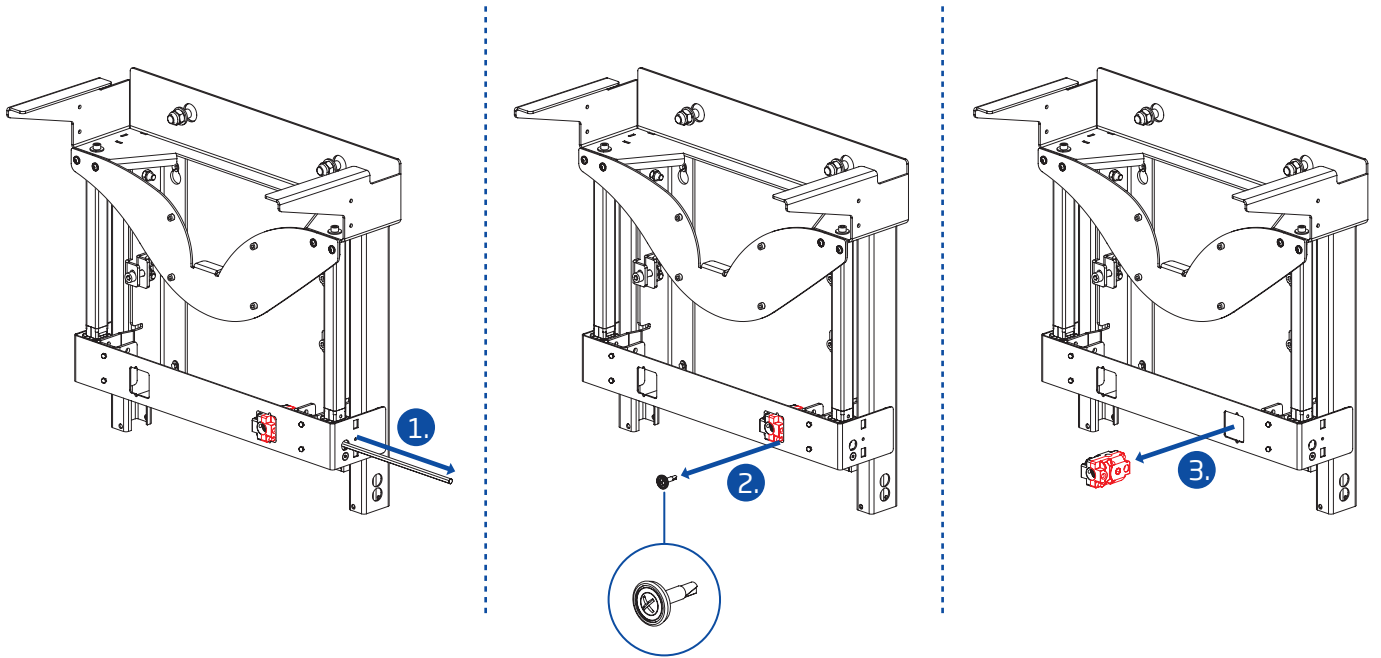
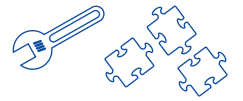
The installer must be a professional.



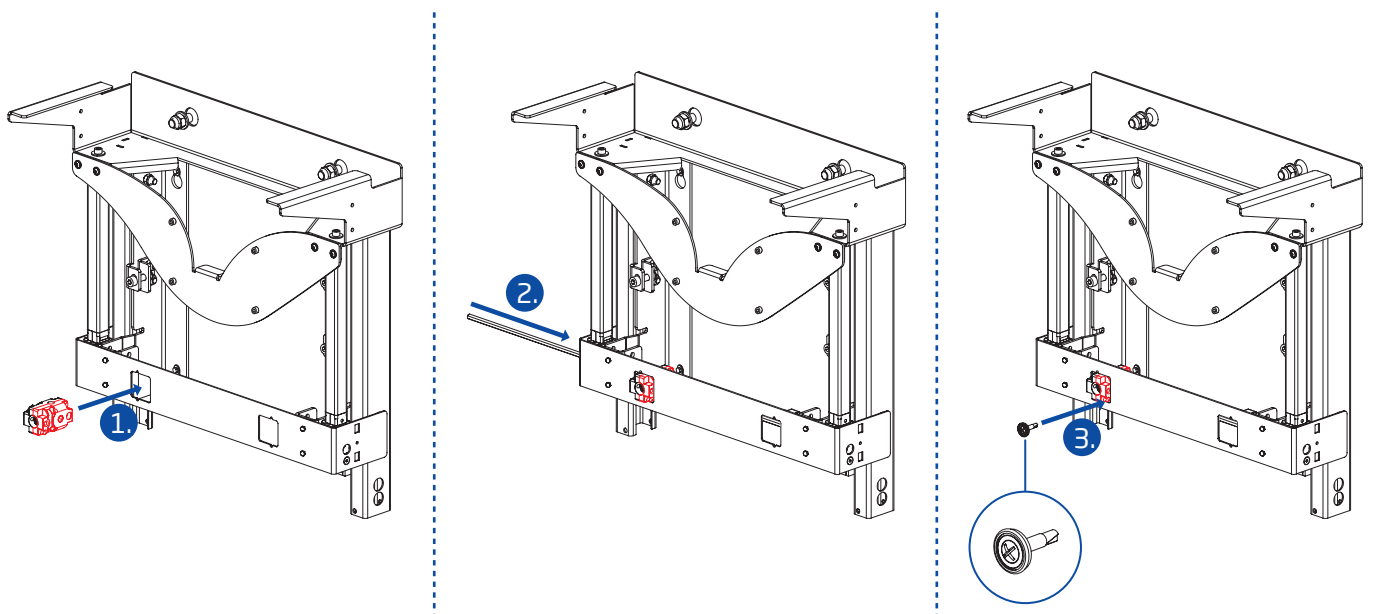
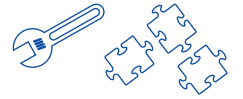
The installer must be a professional.

Changing crank from right to left (D1-D2)

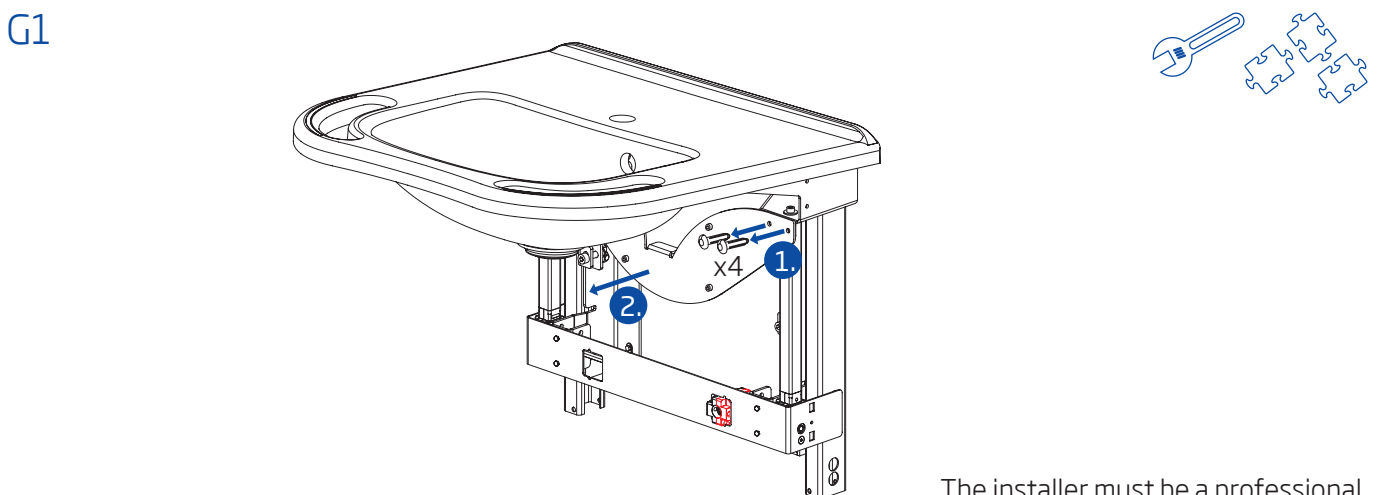
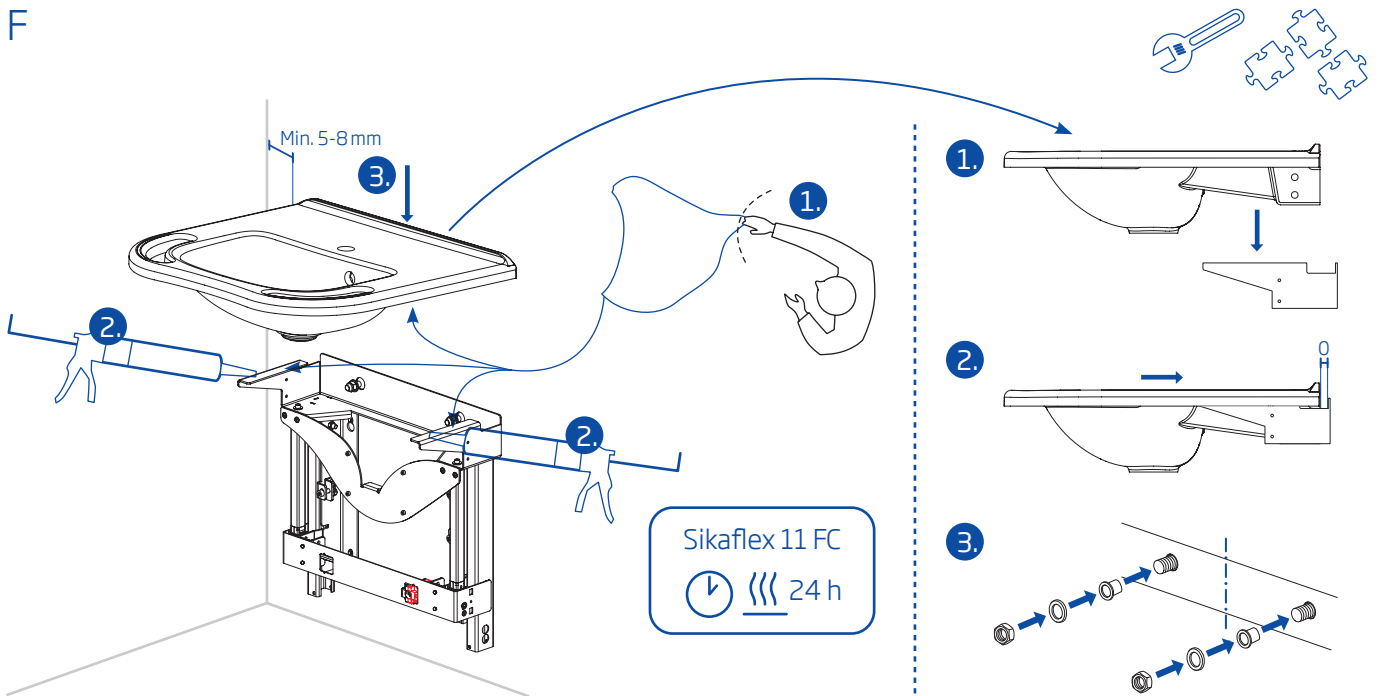
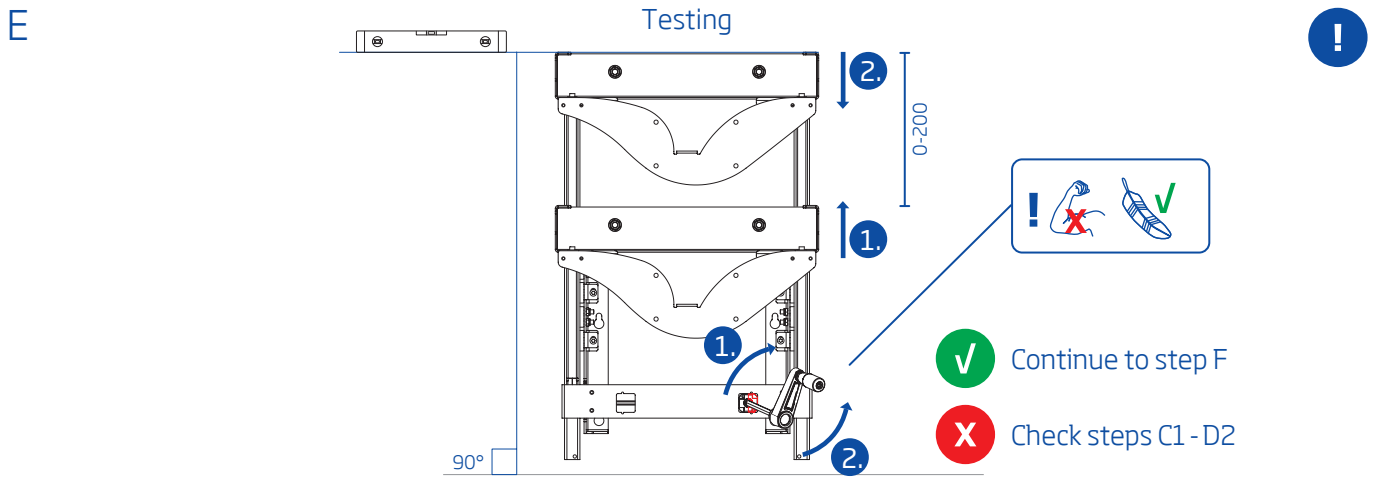
D1



D2

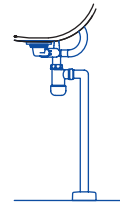
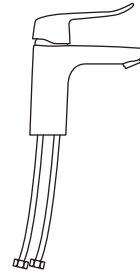
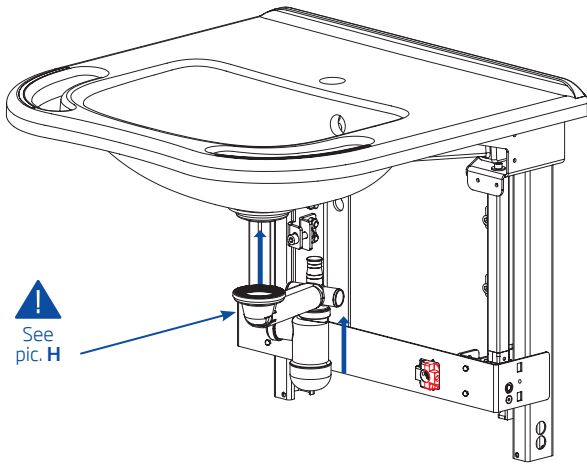
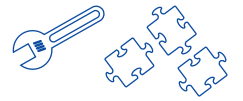


The installer must be a professional.



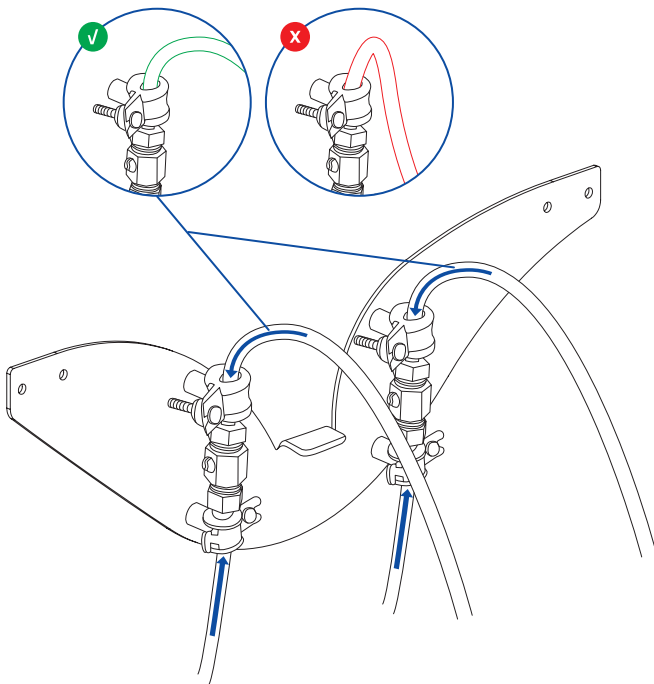
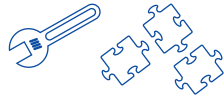
The installer must be a professional.

G2

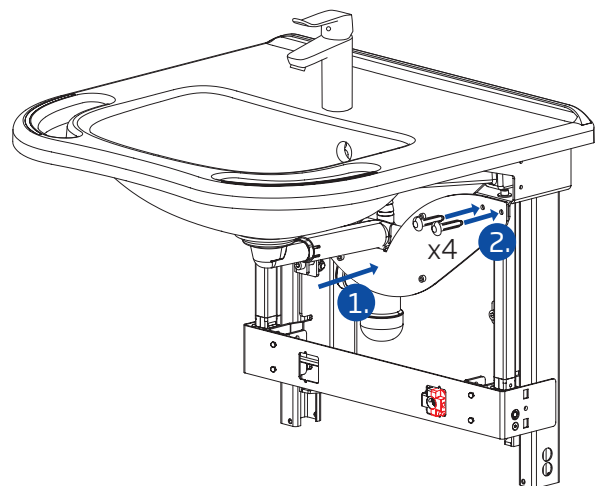
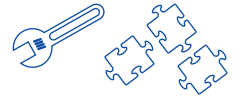


> korpinen.com
https://www.korpinen.com/uploads/documents/Gaius_water_trap-2018.pdf

G3

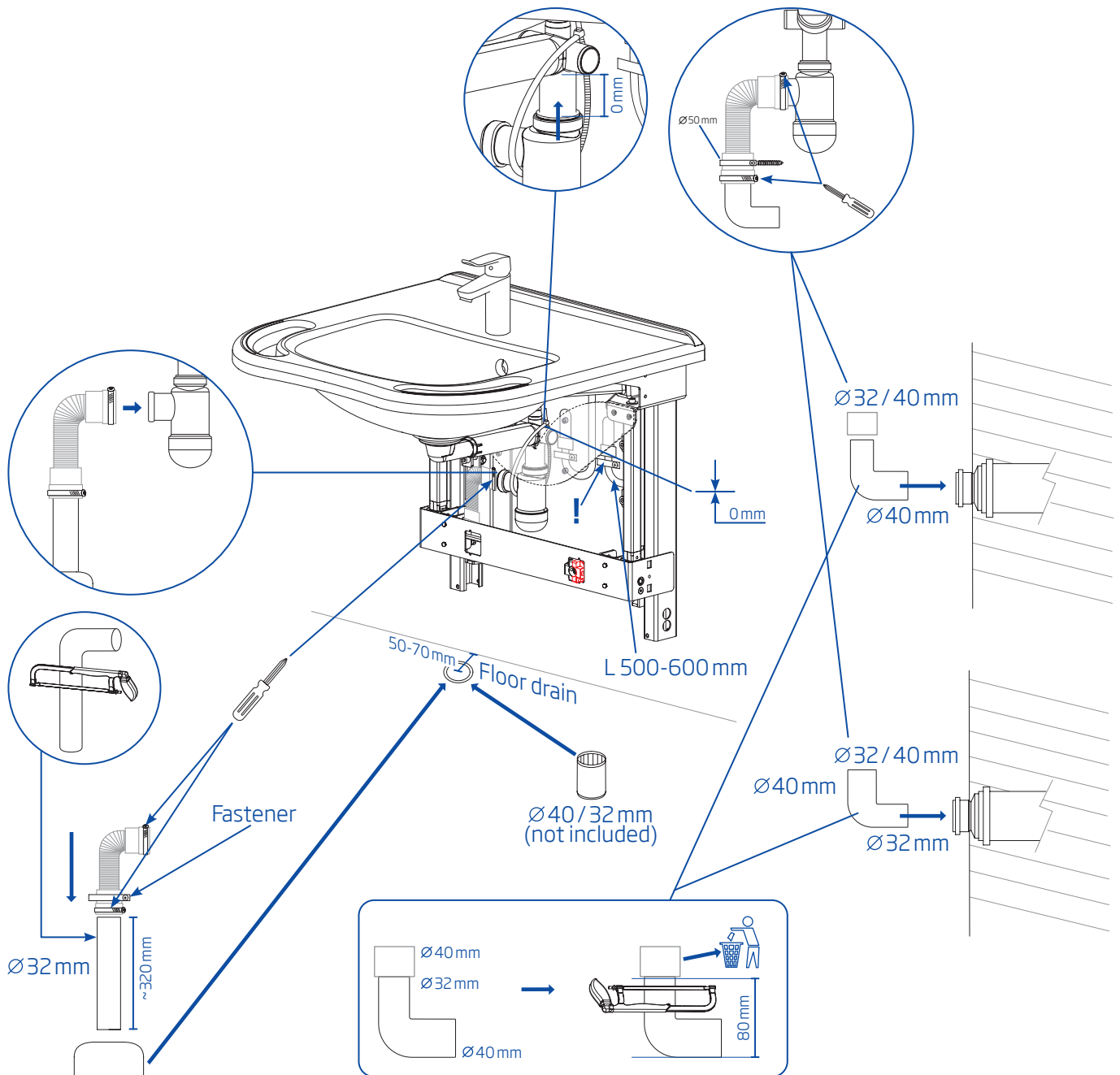
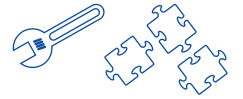


G4



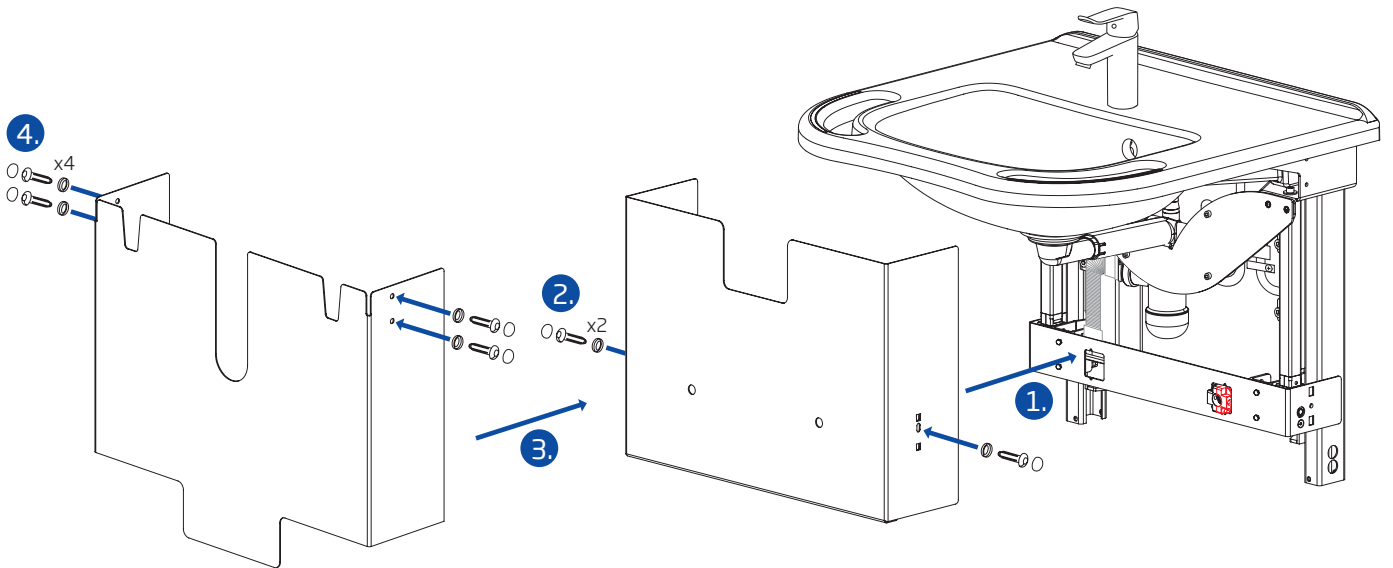
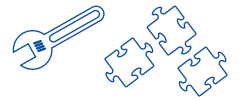
The installer must be a professional.

H

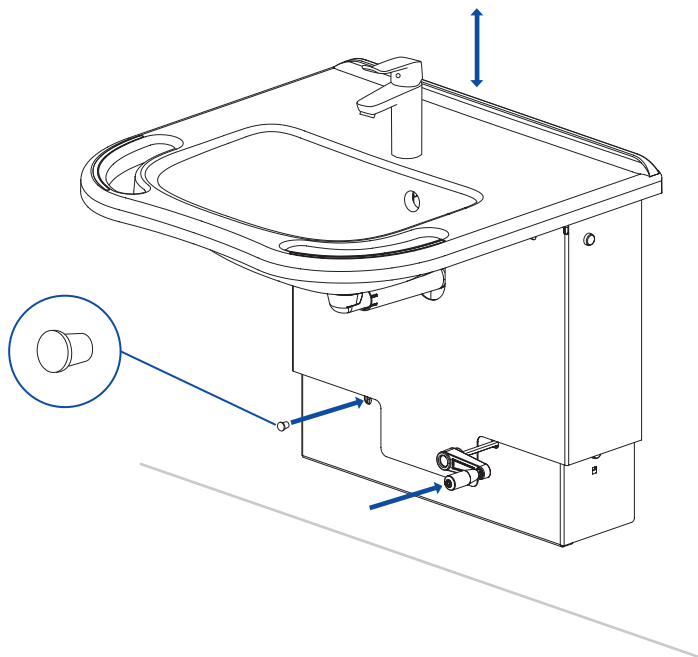


The installer must be a professional.

11



12



The installer must be a professional.