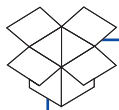
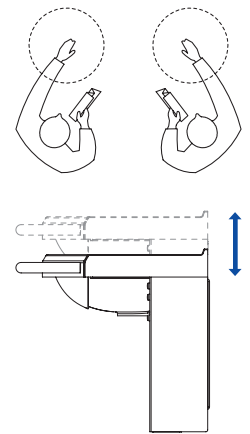
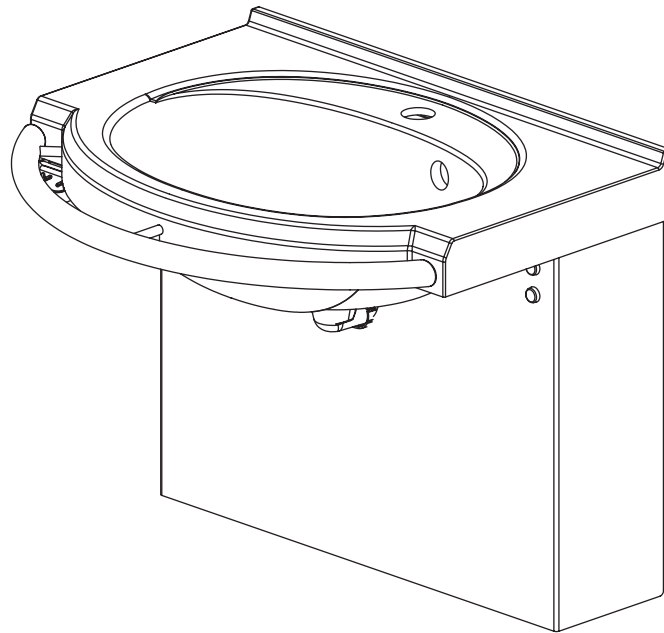
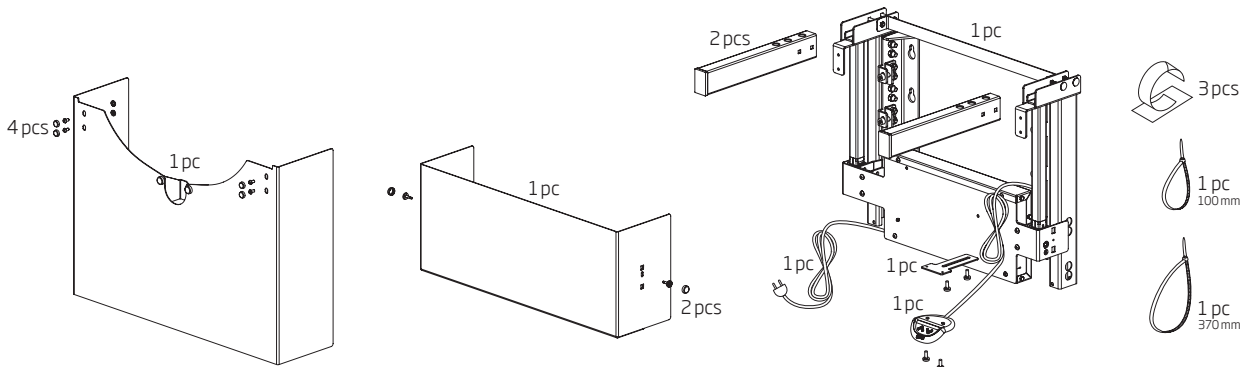


# Senior electrical basin 6514.4

INSTALLATION INSTRUCTIONS



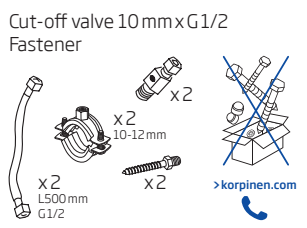
(Basin not included)



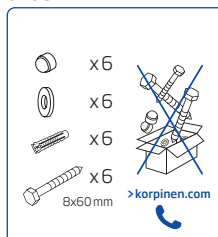
Tap



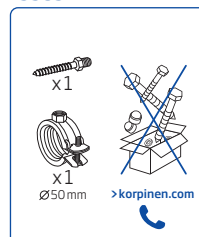
13970



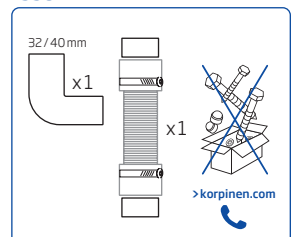
6208-Z



13983

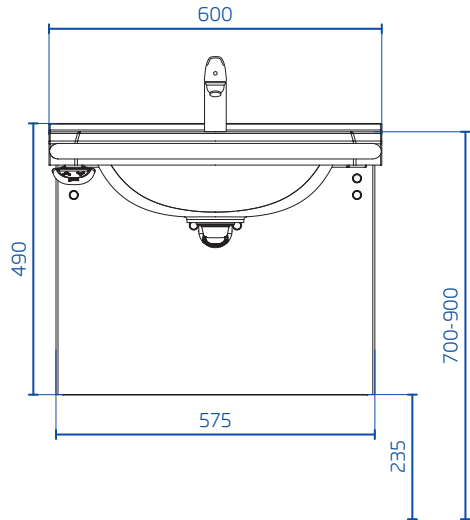


13982

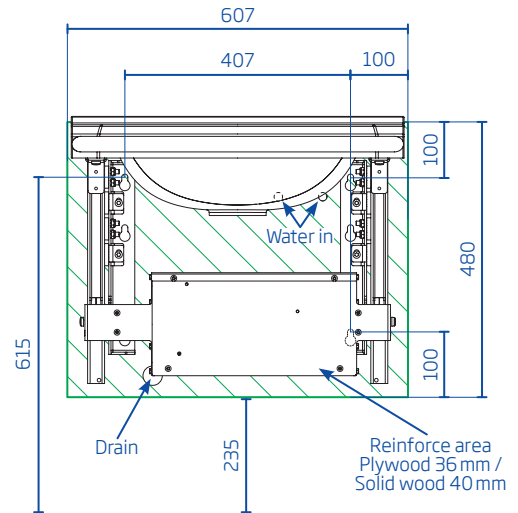


The installer must be a professional.

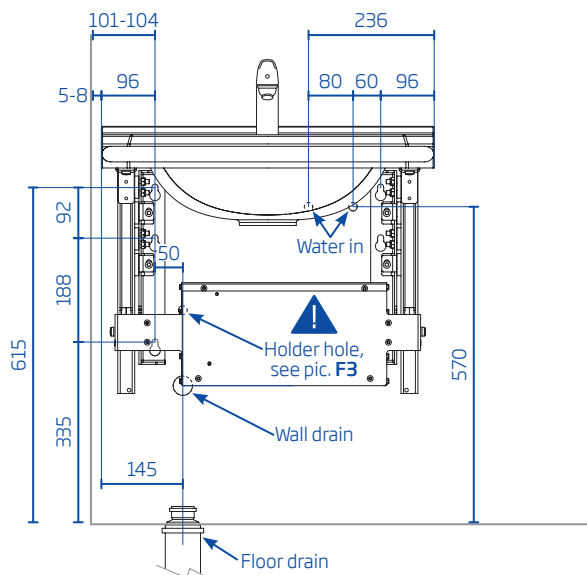
Outfit



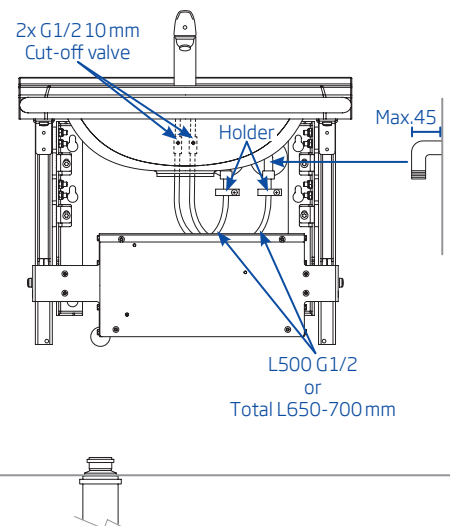
Reinforce area



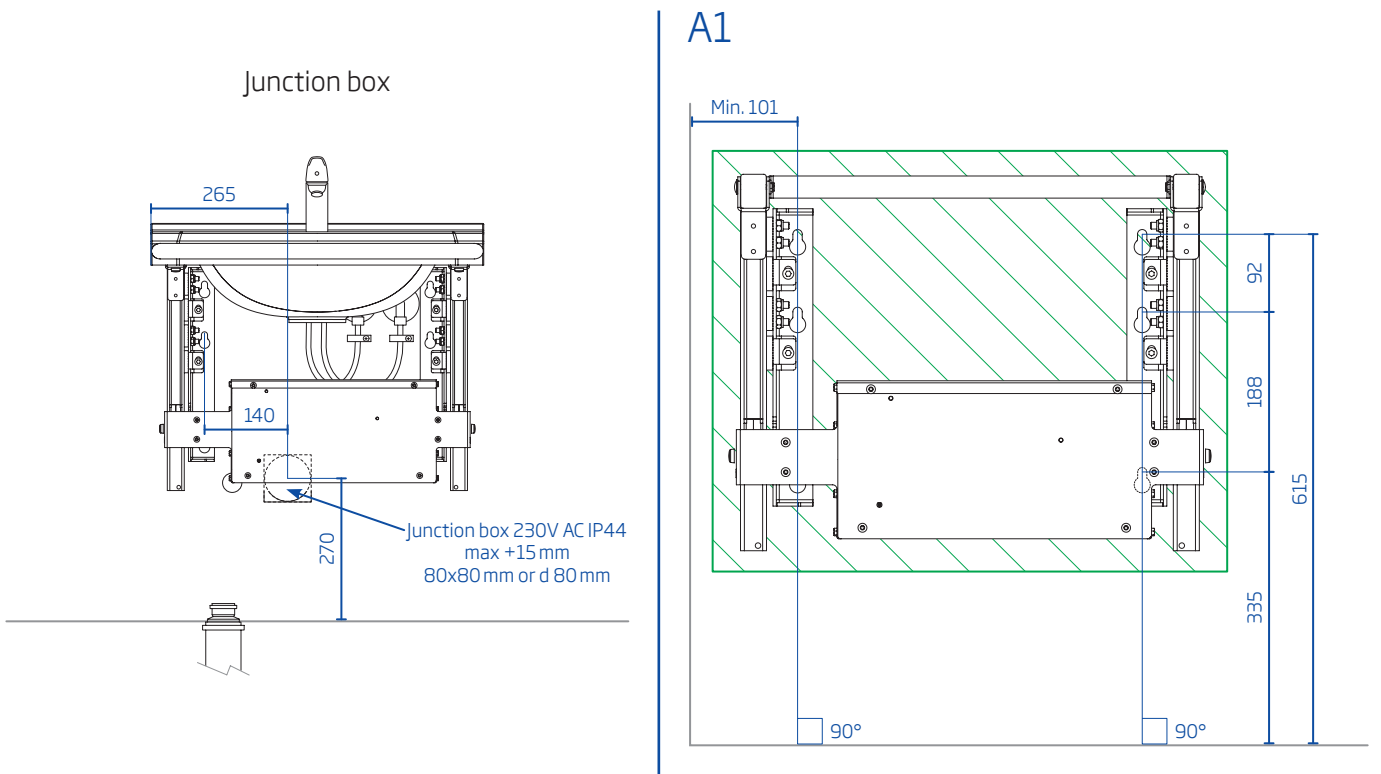
Water and drain places, frame installation measures



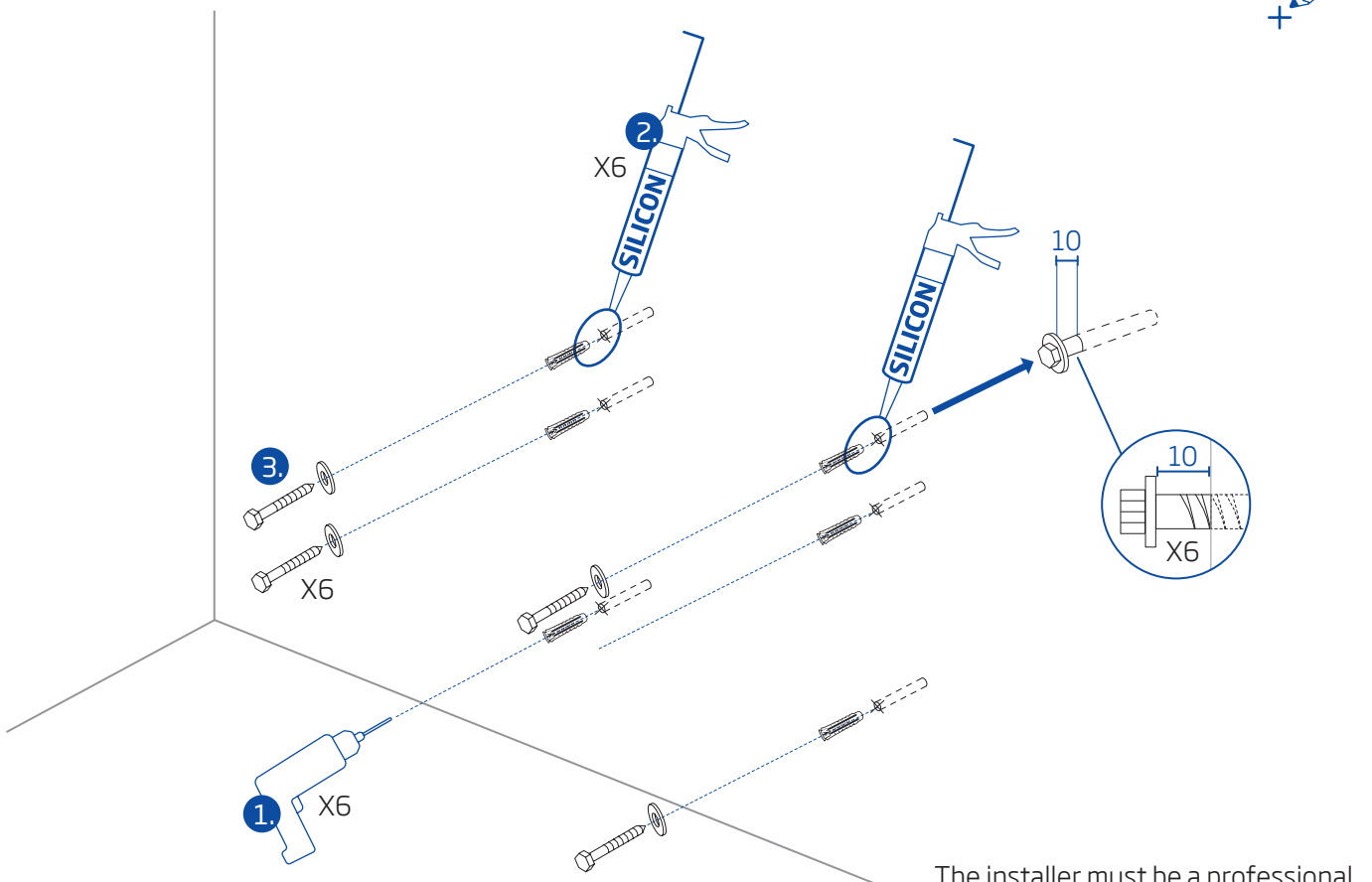
Water and drain pipes

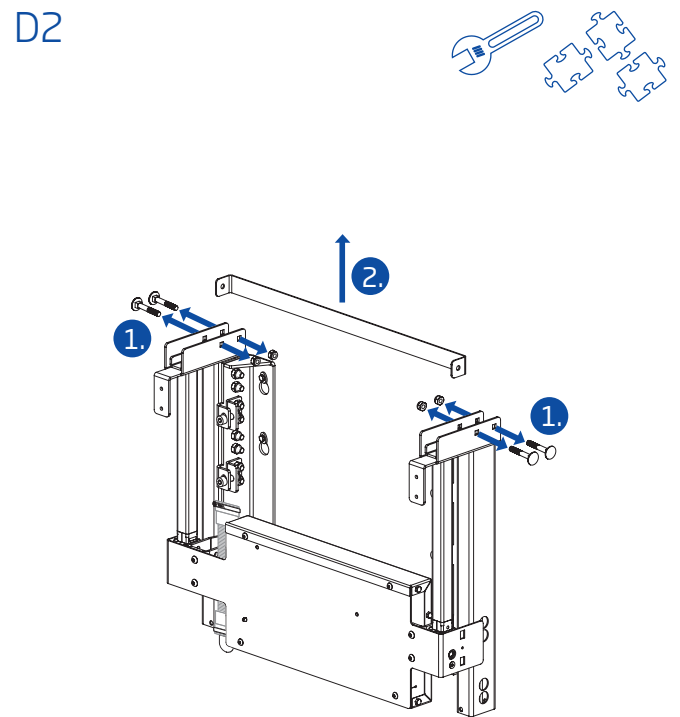
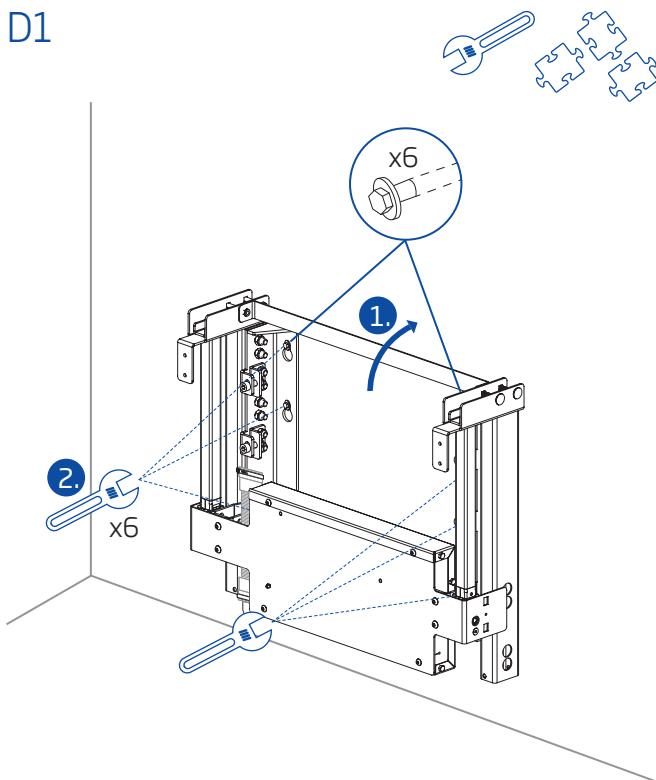
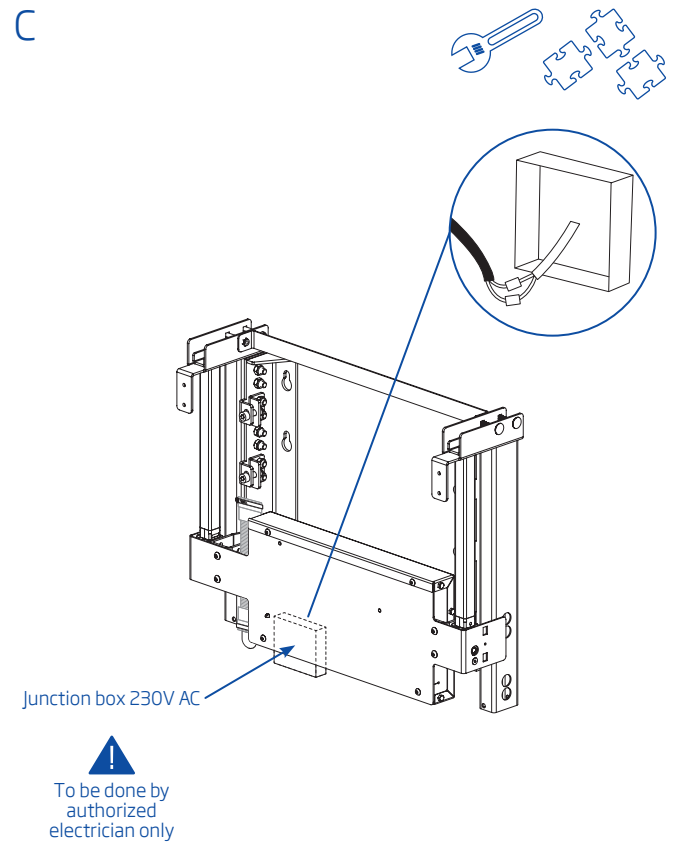
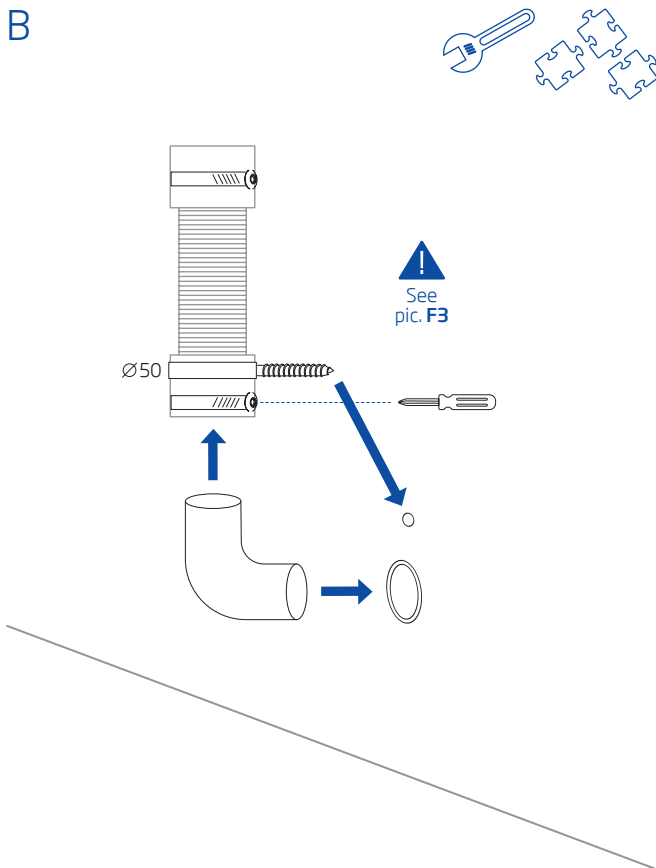


The installer must be a professional.



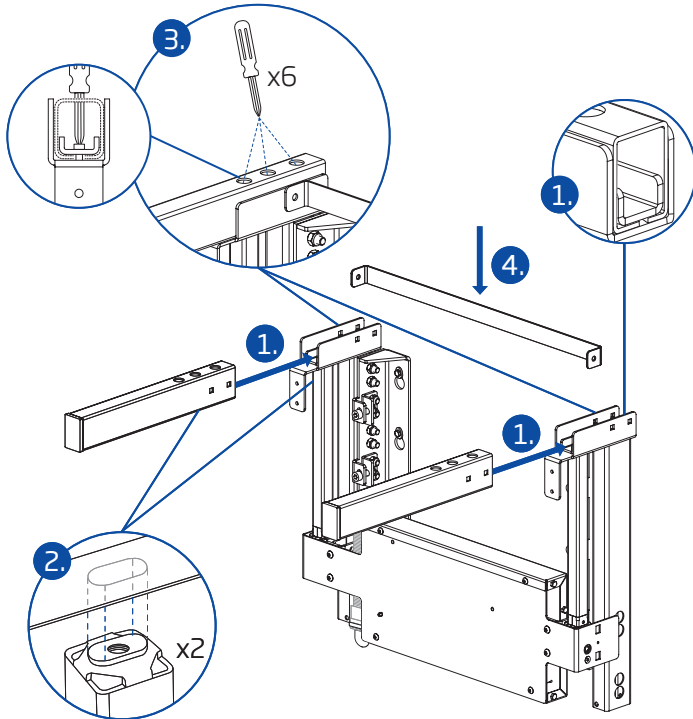
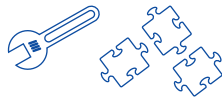
A2



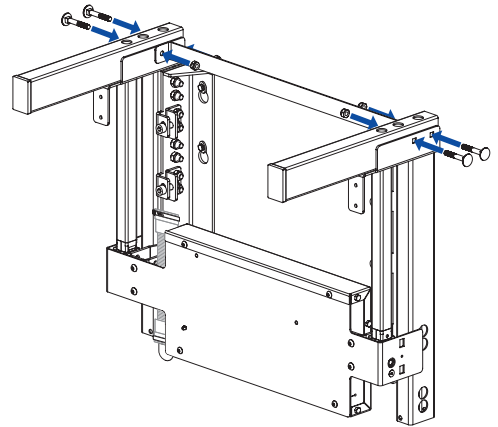
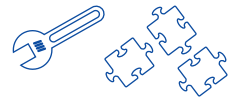


The installer must be a professional.

D3



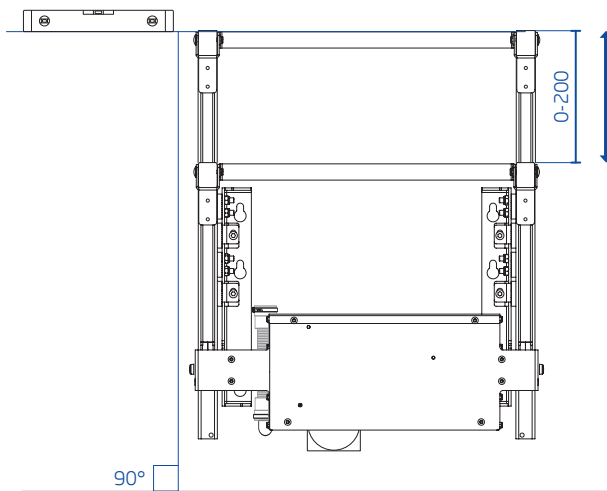
D4



D5



Testing

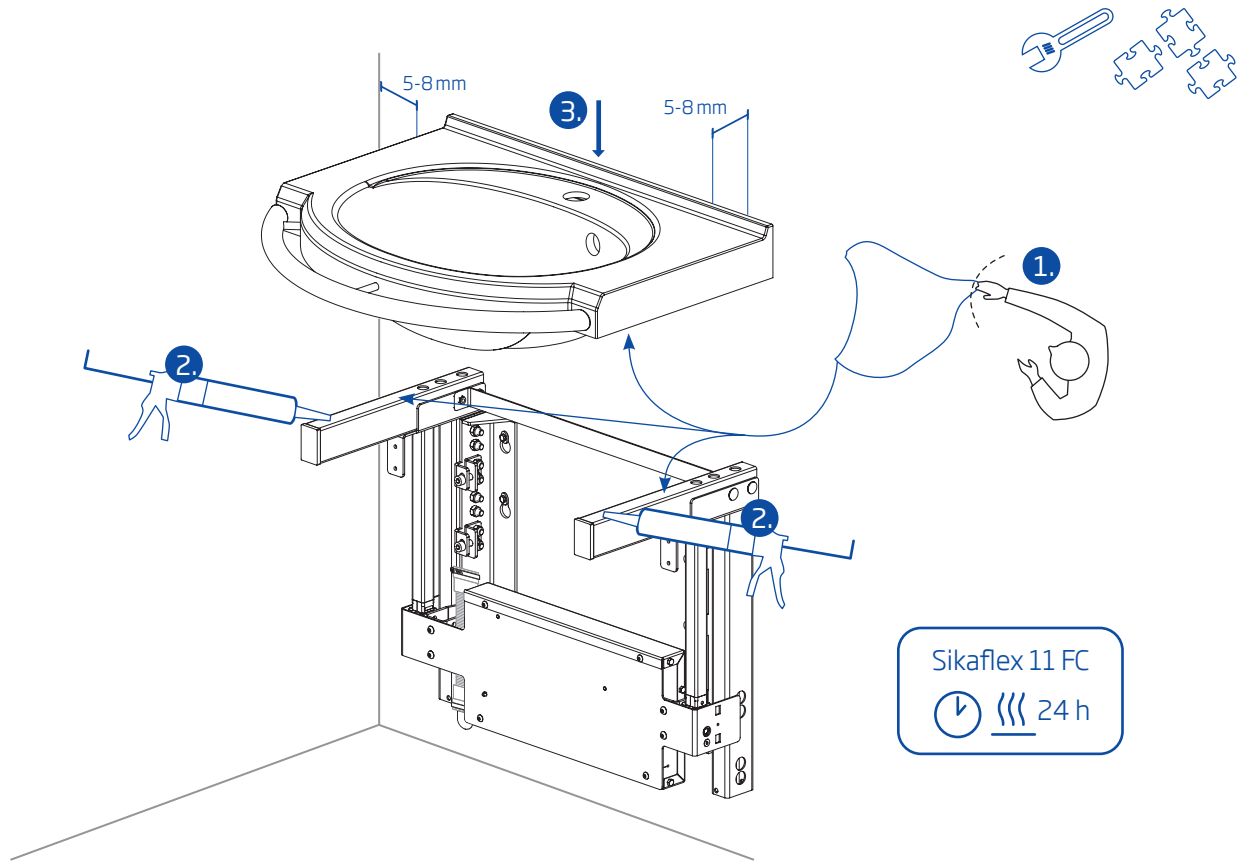


✓ Continue to step E

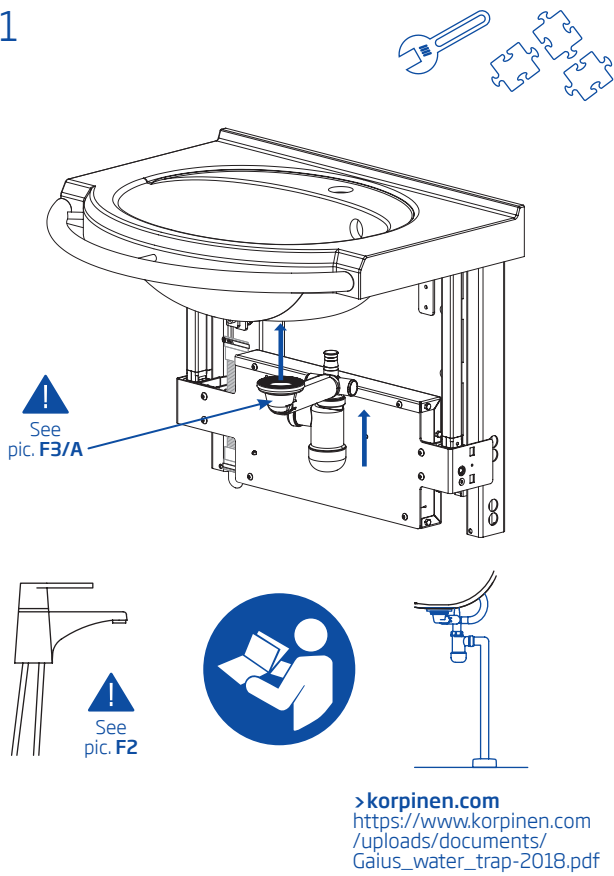
✗ Check steps A1-D4 or >korpinen.com

The installer must be a professional.

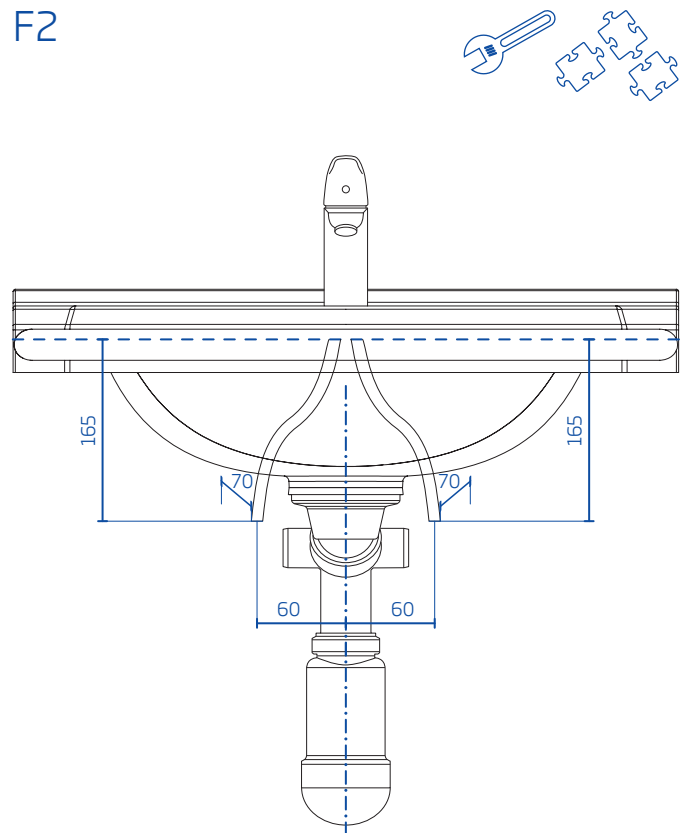
E



F1

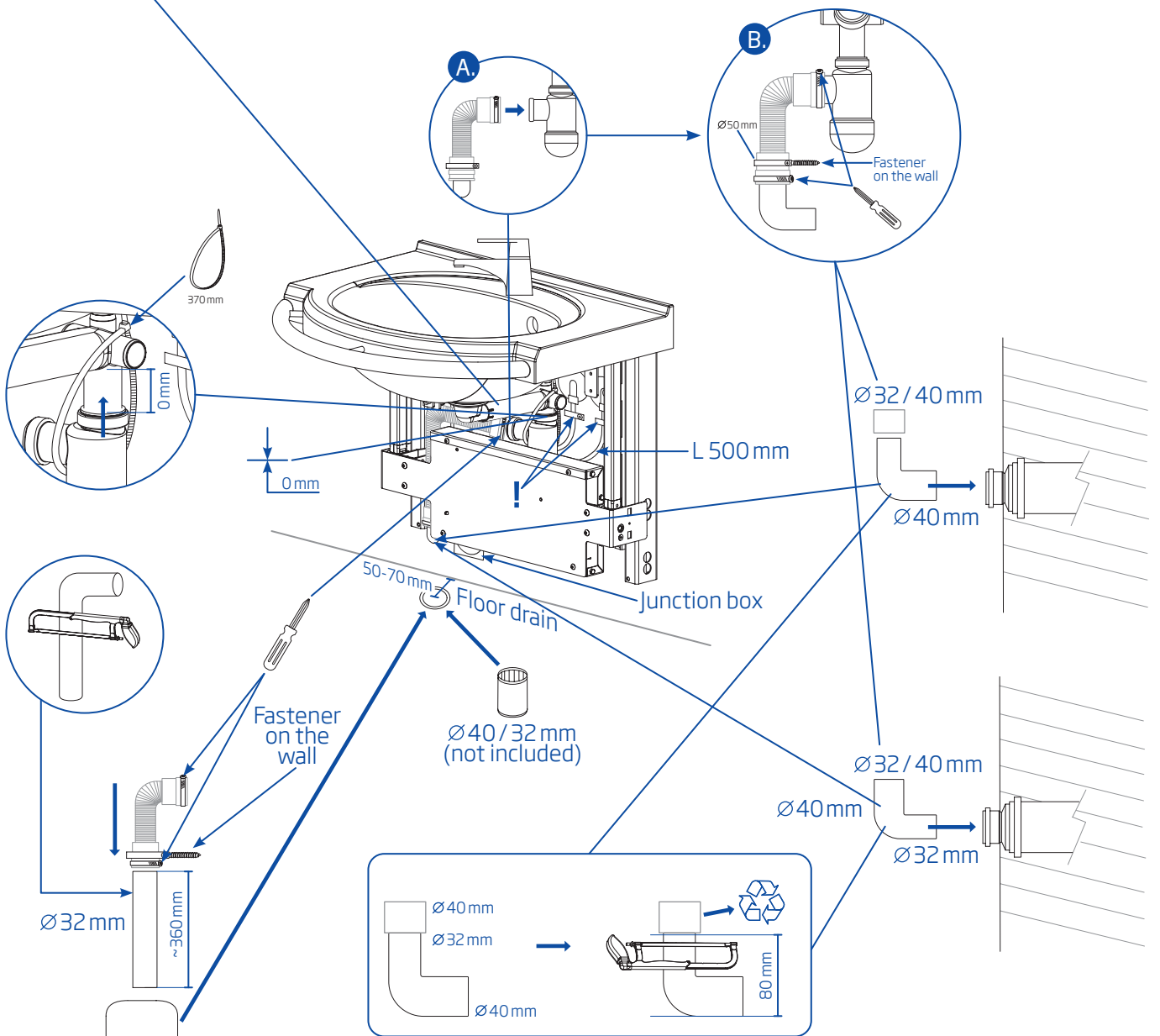
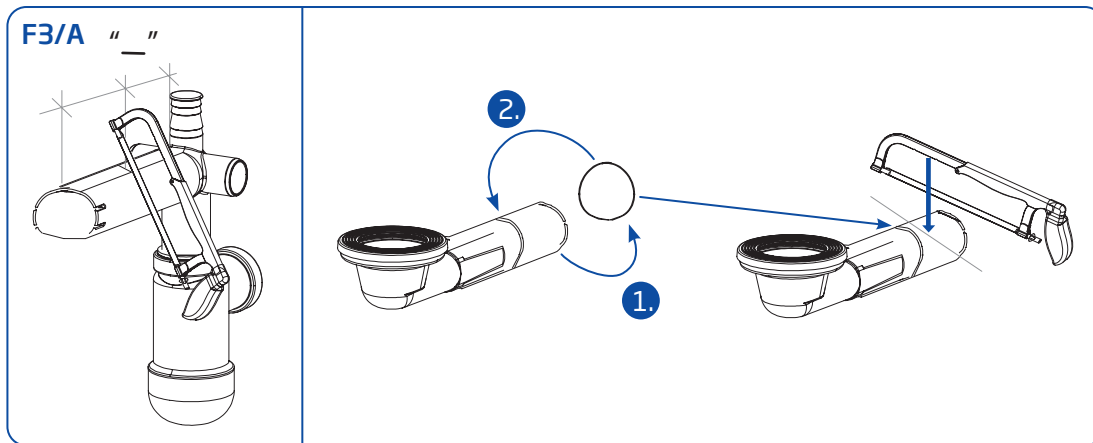
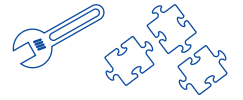


F2



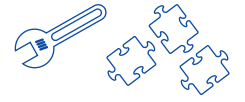
The installer must be a professional.

F3

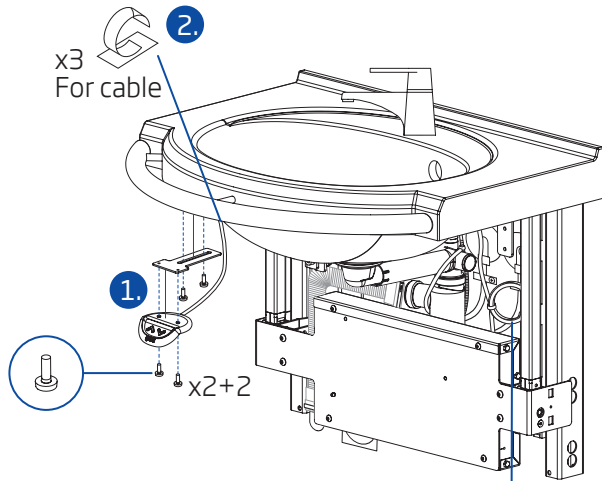


The installer must be a professional.

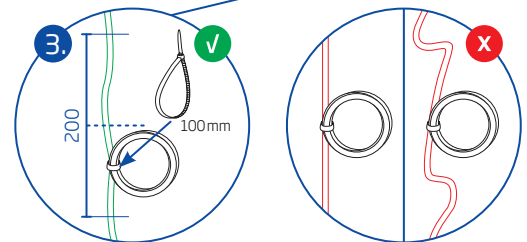
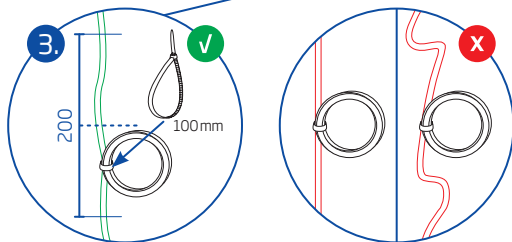
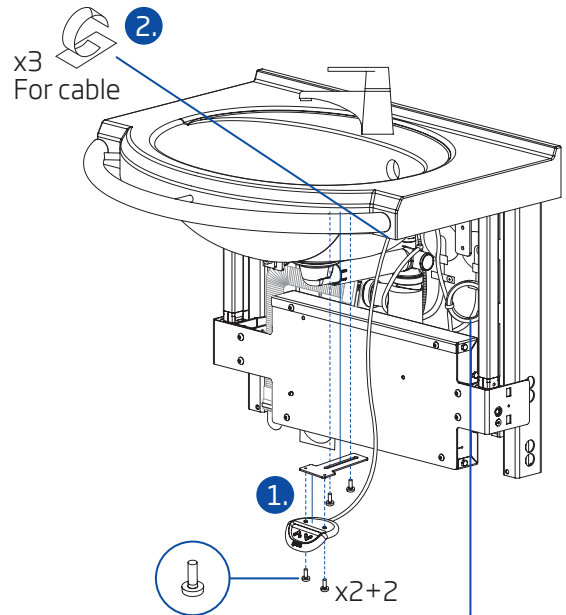
G1



Left

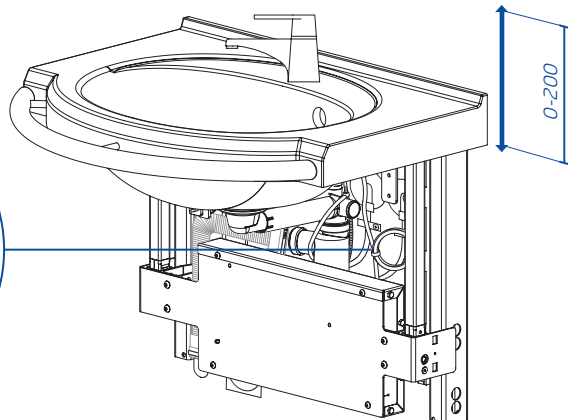
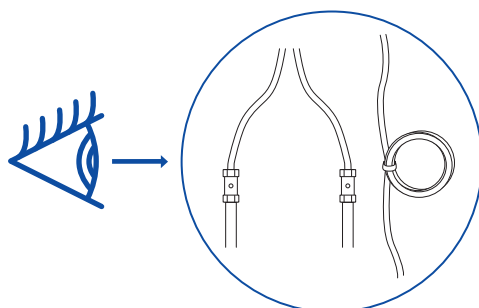


Right



G1/A

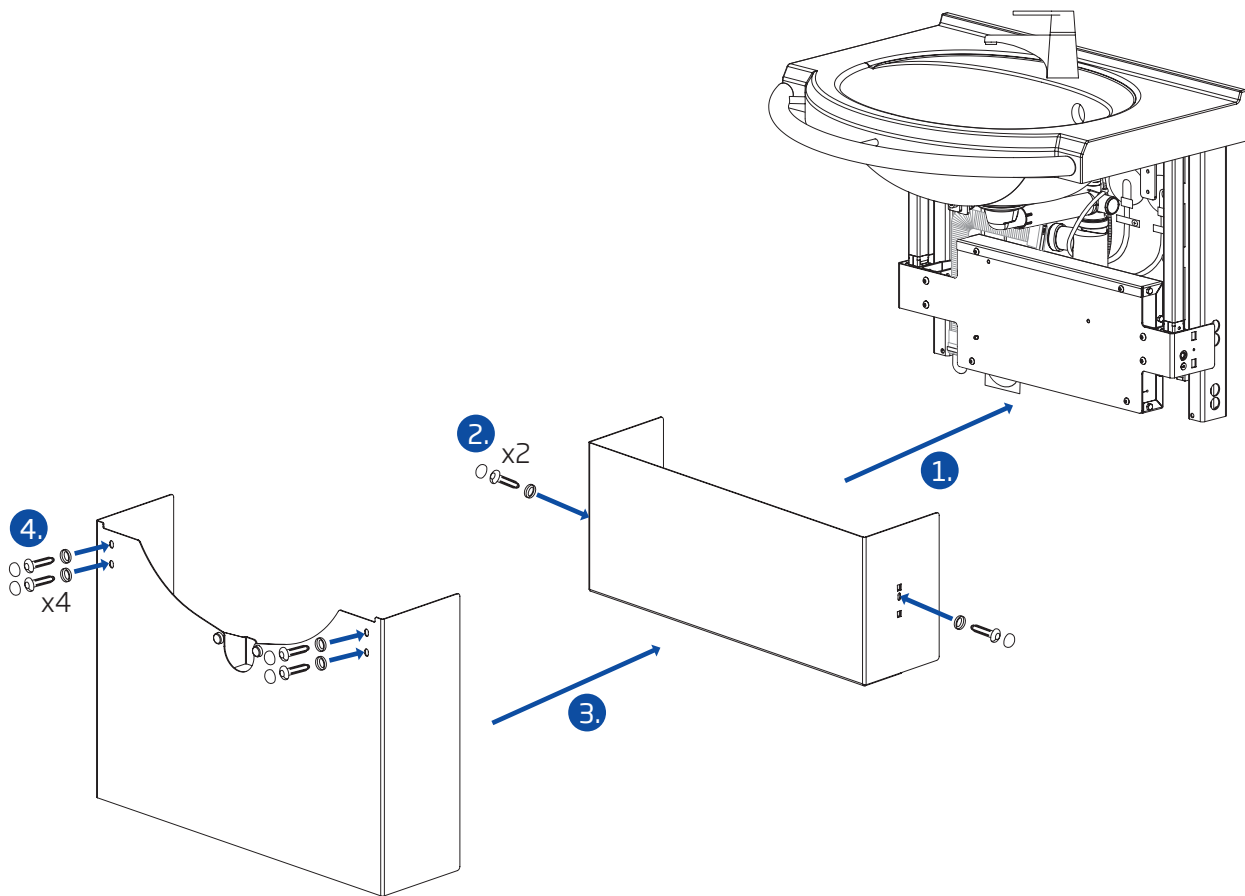
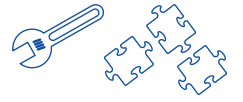
Testing



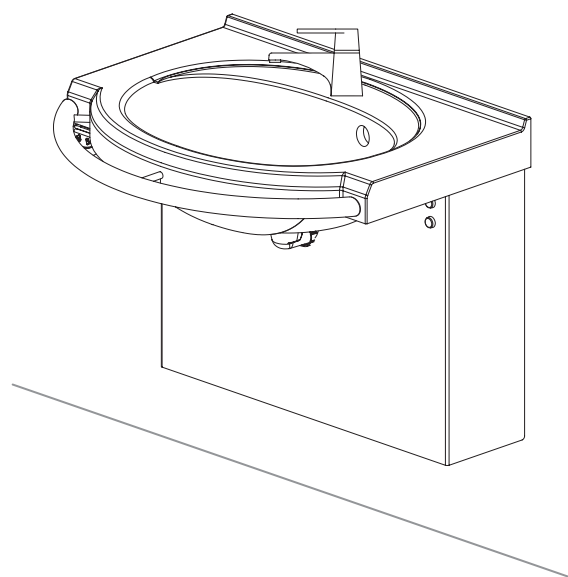
The installer must be a professional.



G2



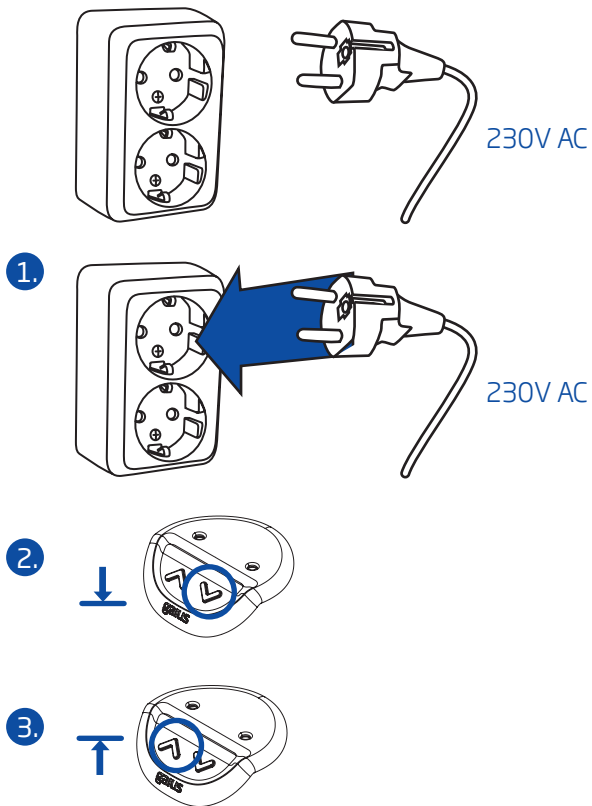
G3



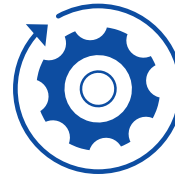
The installer must be a professional.

## Trouble shooting / Ongelmatilanteita

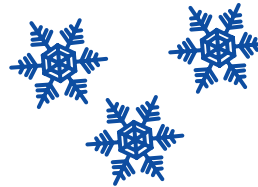
### Power cut / Sähkökatko



### Motor drive / Moottorin ajoaika



1 min  
Drive  
Ajoaika



5 min  
Cooling  
Jäähdytys

?  
>korpinen.com

  
korpinen@korpinen.com

The installer must be a professional.