



Ropox Nursing Table Maxi2

User Manual




Mounting Instructions

Keep this manual with the product at all times


Table of Contents

1. Symbols used in this manual	3
2. General safety	3
2.1 Product Unit label.....	5
3. General requirements	6
3.1 Product information.....	6
3.2 Product description.....	6
3.3 Intended use.....	6
3.4 Intended operator.....	7
3.5 Essential performance.....	7
3.6 Nonclinical functions.....	7
3.7 Clinical functions.....	7
3.8 Product dimensions.....	7
3.9 Operation.....	9
4. Mounting instruction	10
4.1 Installation interfaces.....	10
4.1.1 Positioning of water supply, drain and power.....	10
4.2 List of components.....	11
4.3 Installation of product.....	11
4.3.1 Dimensions.....	12
4.3.2 Mounting instructions.....	12
4.4 Wire diagram.....	20
4.5 Residual risks.....	21
5. Performance test	22
6. Safety instructions	22
7. Troubleshooting	23
8. Service and maintenance	23
8.1 Cleaning, frame.....	23
8.2 Cleaning, tabletop.....	23
8.3 Maintenance.....	24
8.4 Service schedule, operation, and maintenance.....	25
9. Spare parts	26
10. Accessories	26
11. Environmental protection	28
12. Electromagnetic compatibility	29
12.1 Suitable Environments.....	29
12.2 Adjacent and stacked use.....	29
12.3 Cables.....	29
12.4 RF portable equipment.....	29
13. Complaints	29

1. Symbols used in this manual

Warning Symbol Indication of potentially hazardous situation. If not avoided, it can result in serious injury or death.	
Caution Symbol Indication of potentially hazardous situation which may result in minor or moderate injury. It may also be used to alert against unsafe practices.	
Notification Symbol This symbol is used to notify correct use and handling of the product.	

2. General safety

	<p>This manual must be read and understood before use. Always keep this manual in close proximity of the product.</p> <p>The use, installation and service of this product must be in compliance with this manual to avoid accidents and serious personal injury.</p> <p>Never use or handle this product in other ways specified in this manual as it can result in personal safety hazards and/or cause damage to the product.</p> <p>Persons installing and/or using this product either as operator or user should have the necessary safety information and access to this manual.</p> <p>If the supply cord is damaged, it must be replaced by the manufacturer, its service agent or similarly qualified designated persons in order to avoid a hazard.</p>
--	--



Do not perform repairs, disassembly or assembly operations, add-ons, re-adjustments or modification of the product beyond what is described in this manual. These must be carried out by Ropox or Ropox authorized personnel. Do not perform service while in use.

Children may not play with or on this application. Cleaning and user maintenance shall not be made by children without supervision.

Do not use the product if it has defects or have become damaged before being repaired or replaced. If the control box makes unusual noise or smells, switch off the mains voltage immediately.

Take care that the cables are not damaged.

The products must only be used in an environment that corresponds to their IP protection.




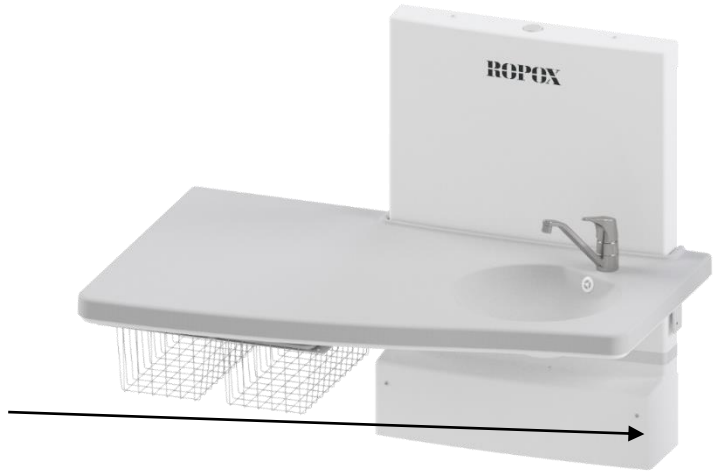
The information in this manual is based on correct installation in accordance with installation instructions for this product.












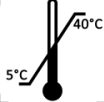
Ropox cannot be held liable if the product is used in any way that differs from stated in this manual and/or installation instruction.

Ropox reserve the right to amend this manual and reference documents without prior notice.

2.1 Product Unit label

ROPOX REF 50-XXXXX-X SN XXX-XXXX
Puslebord Maxi 2 2022-08
 Ropox A/S, Ringstedgade 221, DK- 4700 Naestved
 WEB.: www.ropox.dk Tlf.: +45 5575 0500, E-mail: info@ropox.dk
 U In: 230V~ 50/60Hz, Max 1.5 A IPX4
 Ropox Puslebord Maxi 2 – 90 cm
 Elektrisk Højdejusterbar 60 cm, 40 – 100 cm
 Max Load: 75 kg, Mass of Product: 15 kg

	This product is UKCA-marked in accordance with: UK SI 2008 No. 1597 - <i>The Supply of Machinery (Safety) Regulations 2008</i> , and its amendments
	This product is CE-marked in accordance with: Council Directive 2006/42/EC on machinery
	Manufacturer name and address
	Date of production
	Stock number
	Serial number
	Operating interval of electrically operated equipment. The use of electrical height adjustable equipment can run at maximum 2 minutes, followed by an 18-minute break.
	Type B applied part
	Consult manual for important safety related information, warnings and safety precautions.
	Class II, double isolated electrical components.
	Do not dispose as unsorted municipal waste. Product must be returned to a designated recycling station.
	Operating and storing temperatures may not exceed 5-40C°

3. General requirements

3.1 Product information

Manufacturer	Ropox A/S Ringstedgade 221, DK-4700 Naestved +45 55 75 05 00 Email: Info@ropox.com		
Product models	Part number	Model	Configuration
	50-50670 50-50672	Nursing Table Maxi2 Nursing Table Maxi2	130 cm 90 cm
Expected service life	5 years		
Applied part classification	Type B applied part		
Height adjustment	40 – 100 cm		
Maximum user weight	75kg / 165lbs		
Power supply	230V~, 50/60Hz		
I in	Max 1.5A		
Intermittence	2min use / 18min pause		
IP rating	IPX4		
Ambient temperature range	+5 °C to +40 °C Transport and storage +5 °C to +40 °C Operation		
Relative humidity	20% to 80% - non-condensing		
Intended environments	This product is to be used only in: Private homes Daycare centers or the like		
Materials in contact with user	Tabletop	ABS/PMMA	
	Frame Mixer tap	Welded steel tube St. 37, stainless and aluminum Brass	

Accessories	50-50680 50-50681 50-50685 50-50686 50-50682 50-50683 50-50688 50-50699 50-14684 50-50694 50-50702 50-50690 50-50697 50-50696	Mattress for nursing table, 90cm Mattress for nursing table, 130cm Adapter frame for nursing table Maxi 2 – 20cm from wall Adapter frame for nursing table Maxi 2 – 80cm from wall Side covering, white laminate – 82x105cm Side covering, white laminate – 61x105cm Side bed guard for nursing table 130cm Side bed guard for nursing table 90cm Mixer tap – Touchless Mixer tap – with extension shower head 2-step ladder Hand control with spiral cable Basket unit without washbasin Basket unit with washbasins
--------------------	--	--

3.2 Product description

Ropox Nursing Table Maxi2 is a height adjustable nursing table, which makes it easier for a carer to change a child's diaper or clothes, in a comfortable height.

3.3 Intended use

Ropox Nursing Table Maxi2 is a height adjustable nursing table, which is designed specifically for users, who must change diapers or clothes on children multiple times a day. The height adjustment is electrical, which makes the nursing table less taxing to adjust in height. Being electrically adjustable, the table can be used to lift children to the desired height, rather than having to lift up the child yourself.

3.4 Intended operator

Reading and understanding this manual will be sufficient training for an intended operator. Children are excluded in this definition.

3.5 Essential performance

The product does not have essential performance, as the patient and user do not experience any risk in case of loss of product function/performance.

3.6 Nonclinical functions

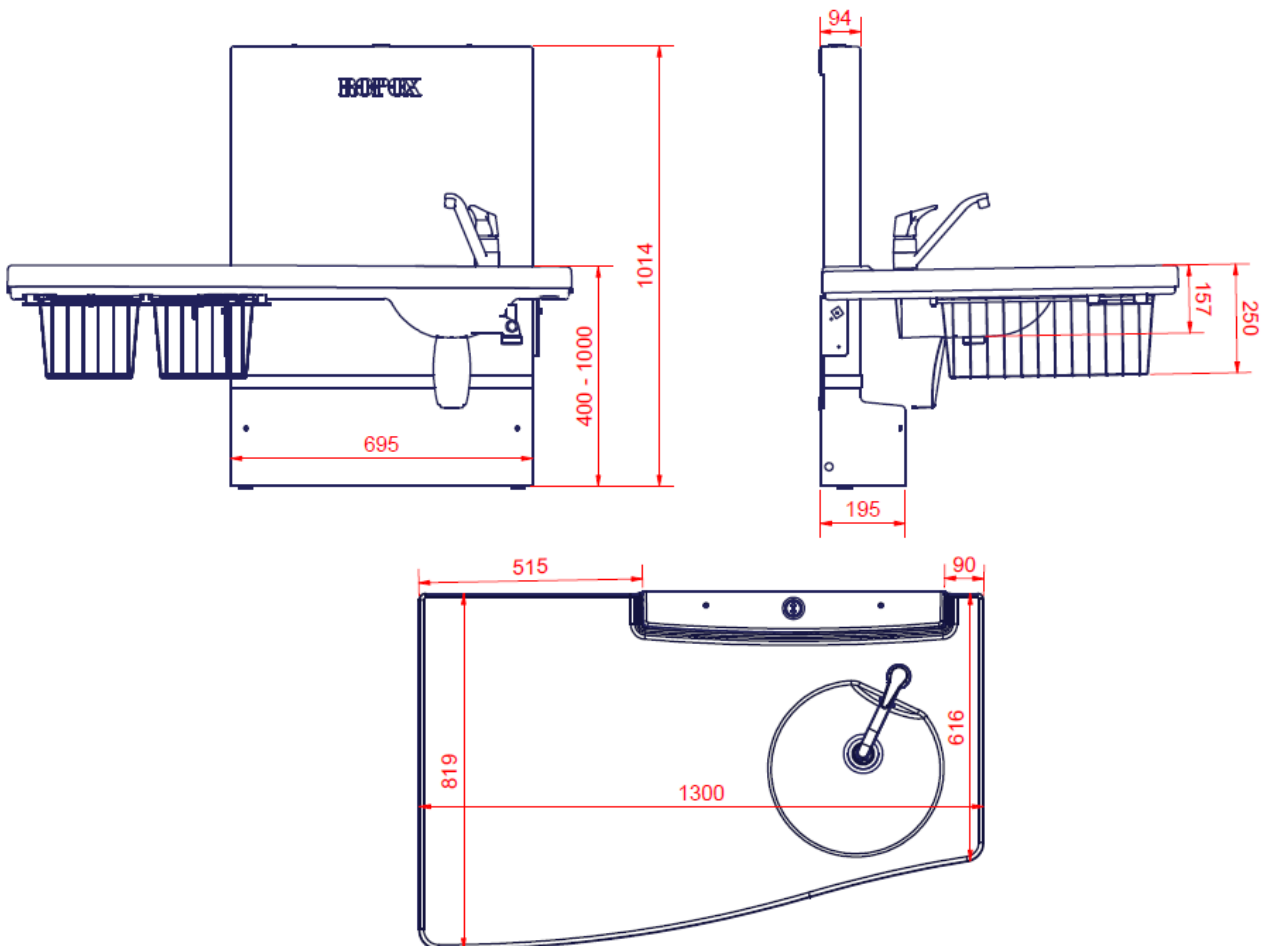
Height adjusting offers better ergonomics to the user.

3.7 Clinical functions

The product does not have any clinical functions.

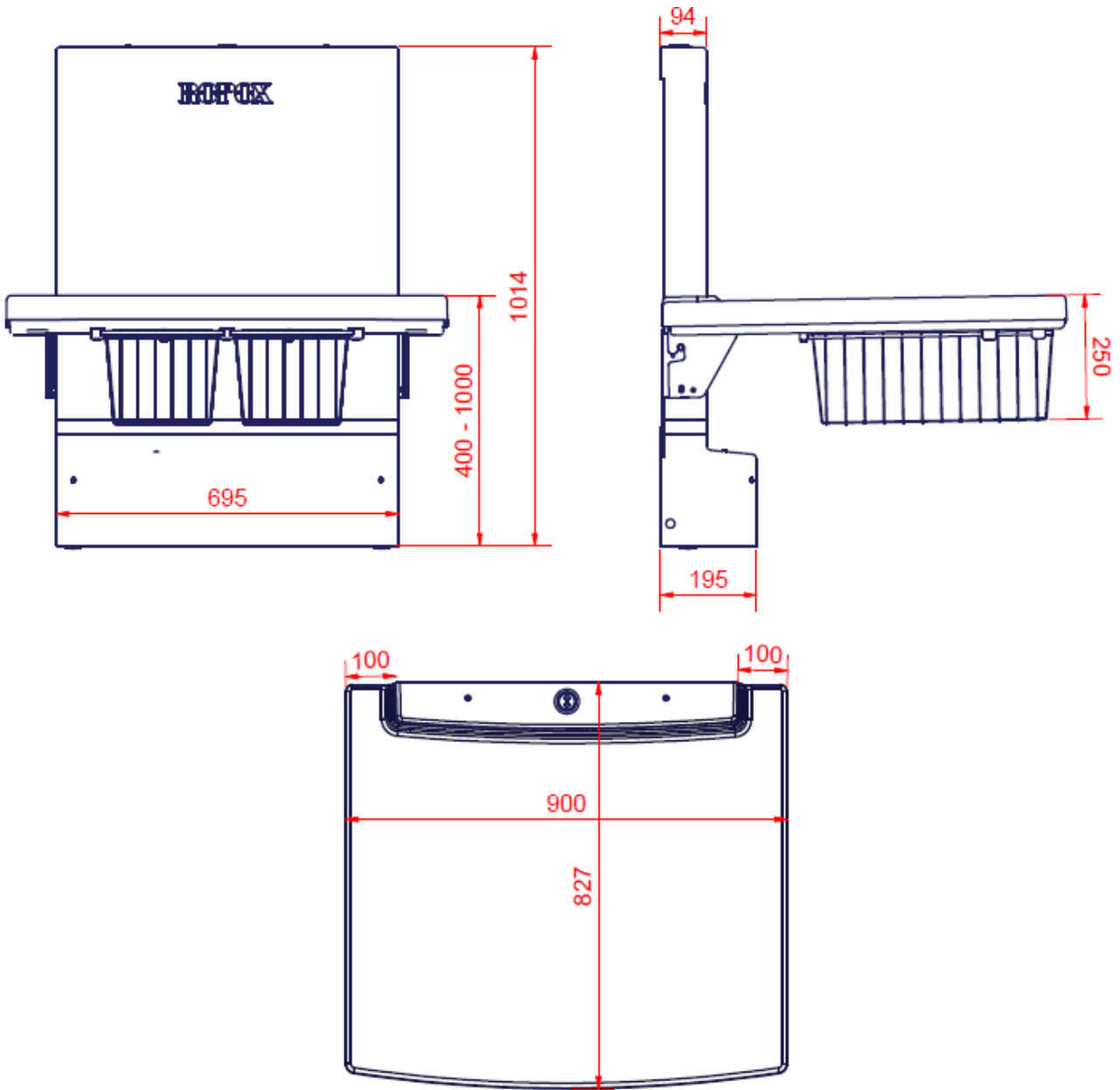
3.8 Product dimensions

50-50670 (130cm)



Note! All dimensions in mm

50-50672 (90cm)

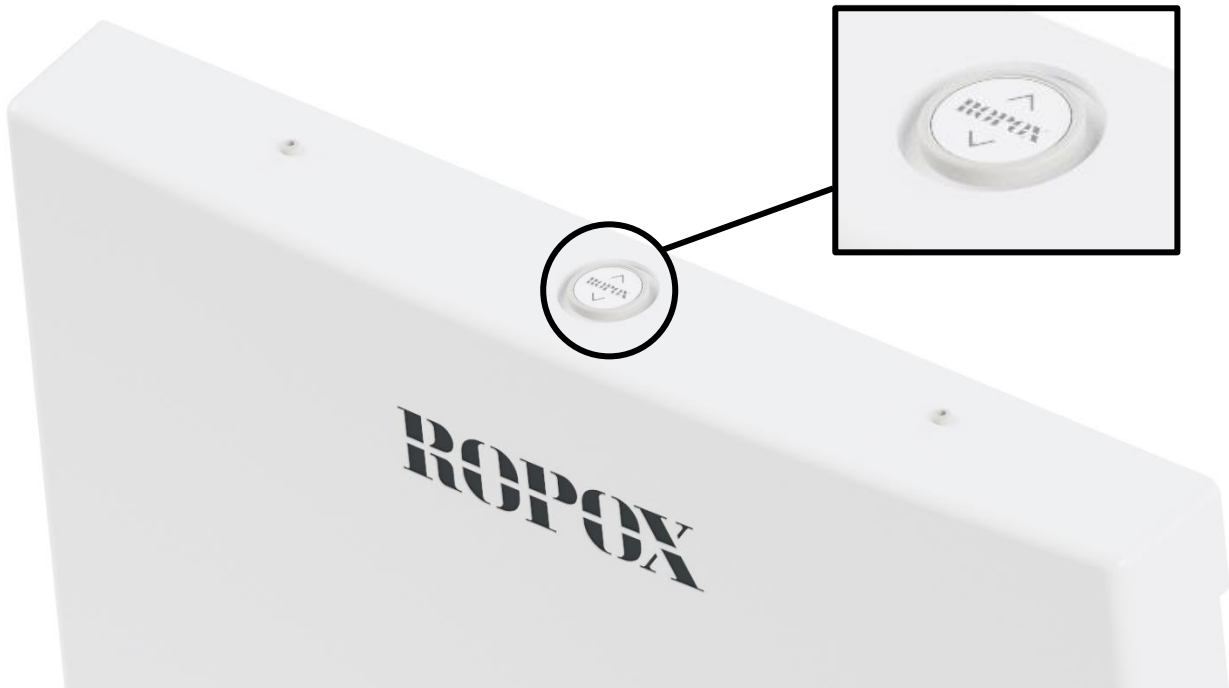


Note! All dimensions in mm

3.9 Operation

Press the up symbol to raise the product, and the down symbol to lower it. Actuation stops as soon as the button is released.

Fixed control switch (Standard)



Hand control with spiral cable (option)



Warning!

The product should always be able to travel the full range of actuation without colliding with objects. Failing to do so will compromise the product stability and introduce risk of squeezing body parts.

Special care should be taken in ensuring that no children or adults are sited under the product as severe injury from entrapment may occur.

4. Mounting instruction

4.1 Installation interfaces

Construction

The wall must be made of material suitable for screwing.
Load tested in accordance with the machinery directive. Max user weight is 75kg / 165lbs.

Max. load of upper screws: 20kg/44lbs / screw.

Power

Recommended positioning of power supply point in wall can be seen below.

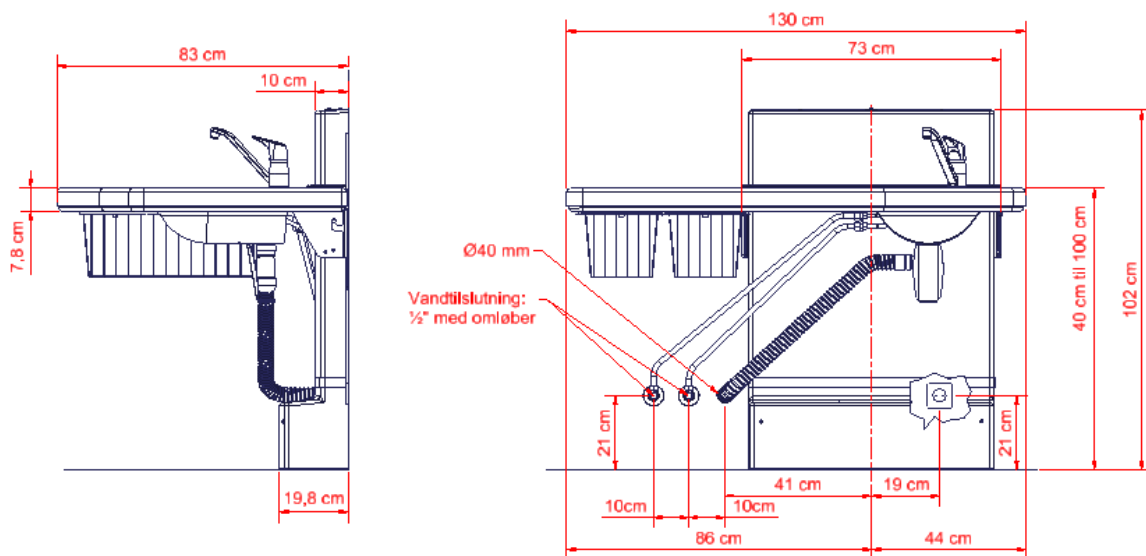
Water

The drain is Ø40. The product comes with an Ø40/Ø32 drain reducer that can be used if necessary.

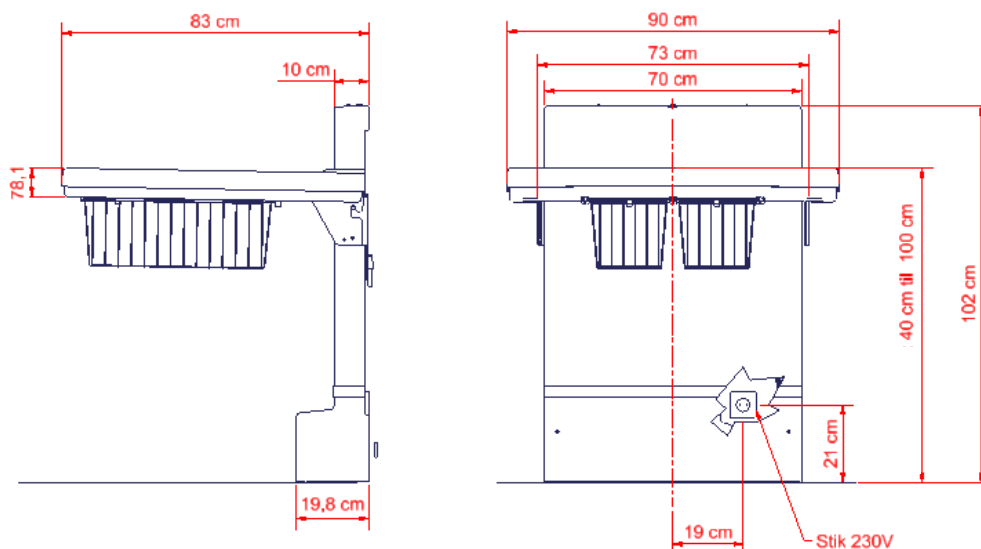
We recommend positioning of water and drain installations as illustrated. All hoses for water and drain installations must be flexible to ensure unhindered movement within the height adjustment range of 40 – 100 cm.

4.1.1 Positioning of water supply, drain and power

50-50670



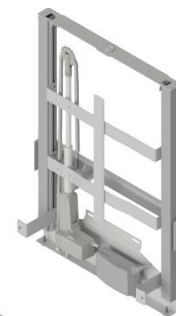
50-50672



4.2 List of components

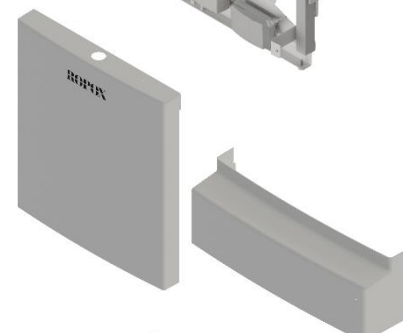
Ropox Nursing Table Maxi 2

50*50670-278 Lifting unit 1 pc.



Incl.

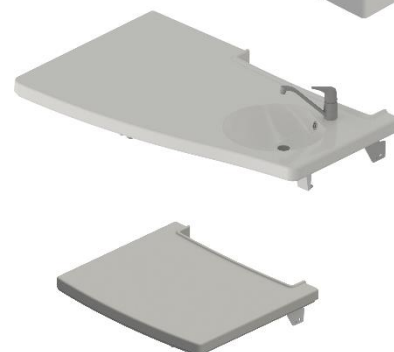
50*50670-238 Upper cover for lifting unit 1 pc.
Lower cover for lifting unit 1 pc.



50*50670-254 Tabletop unit for 50-50670 1 pc.

or

50*50670-258 Tabletop unit for 50-50672 1 pc.



Incl.

97001160 Flexible drain hose Ø40/40, 40-110cm 1 pc.



Other Screws and rawlplugs



4.3 Installation of product

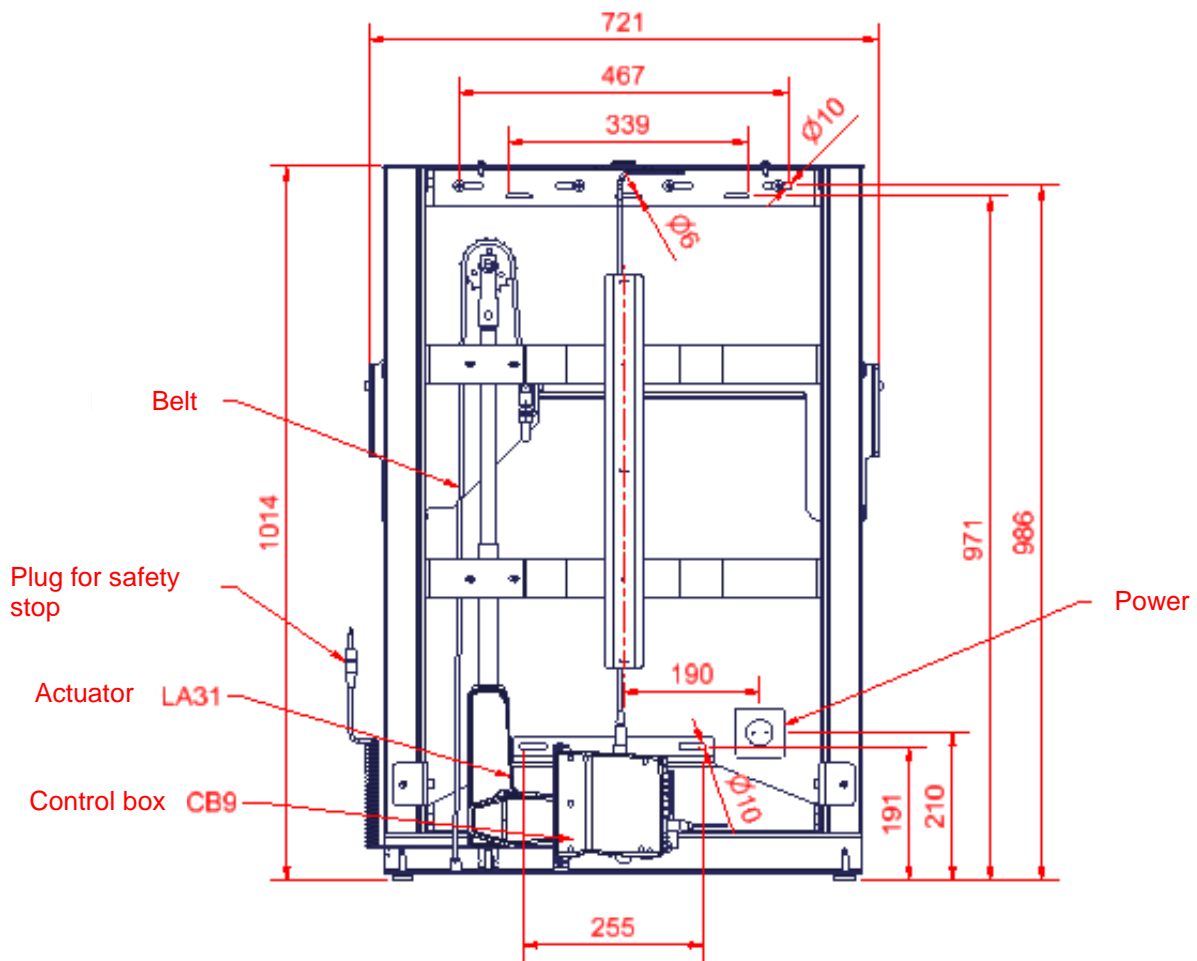
	<p>Warning!</p> <p>Before use always make sure that mains cable and hand control cable will be able to travel freely without the risk of squeezing or disconnecting the product as result of the movement.</p>
--	---

	<p>Caution!</p> <p>When connected to the mains, the product must be placed in a manner according to power outlets, so that the operator will be able to disconnect the product during use in case of an emergency.</p>
--	---

Prior to assembly check that all parts have been provided according to the list of components

Installation must be done by qualified personnel

4.3.1 Dimensions



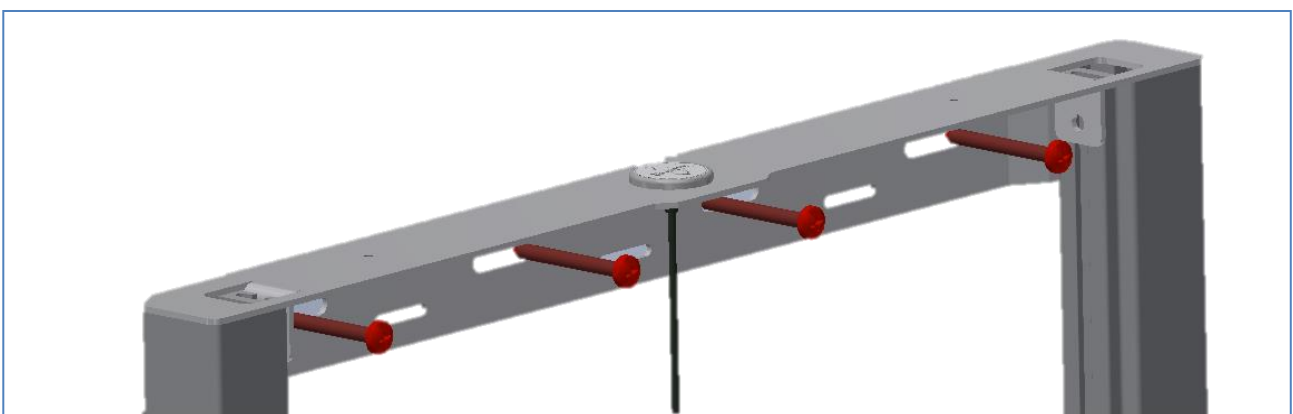
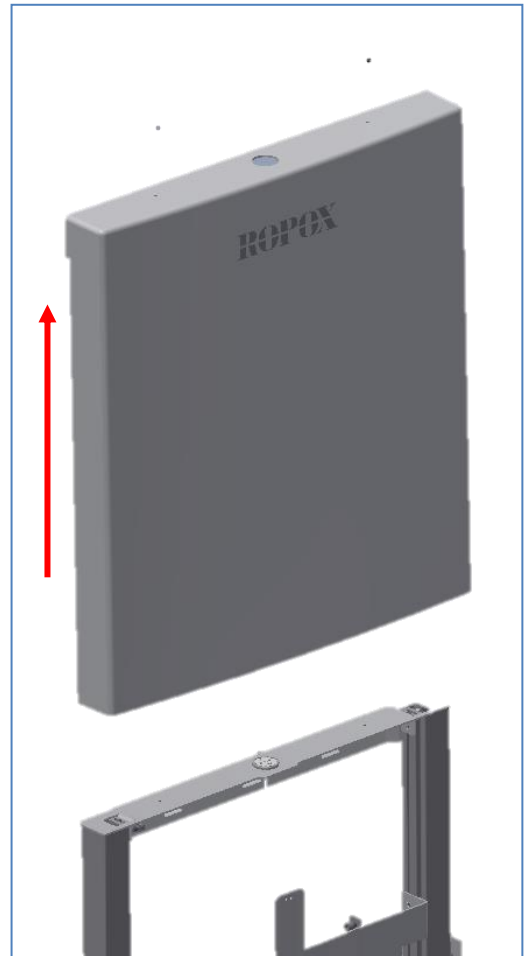
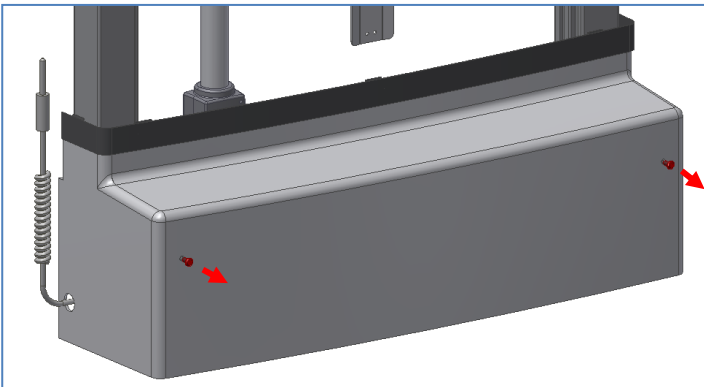
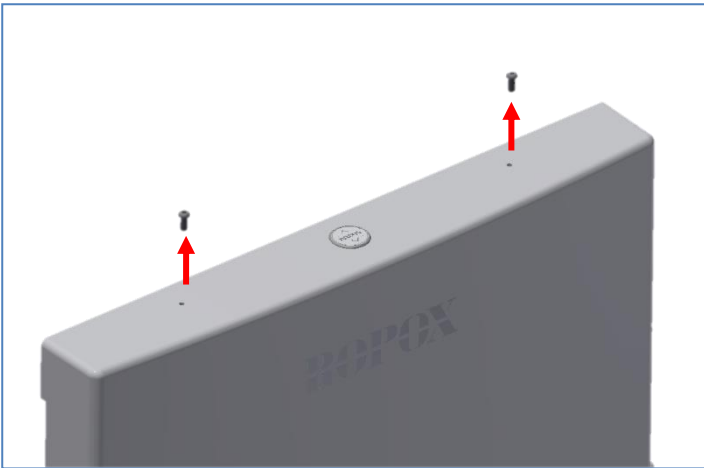
4.3.2 Mounting instructions

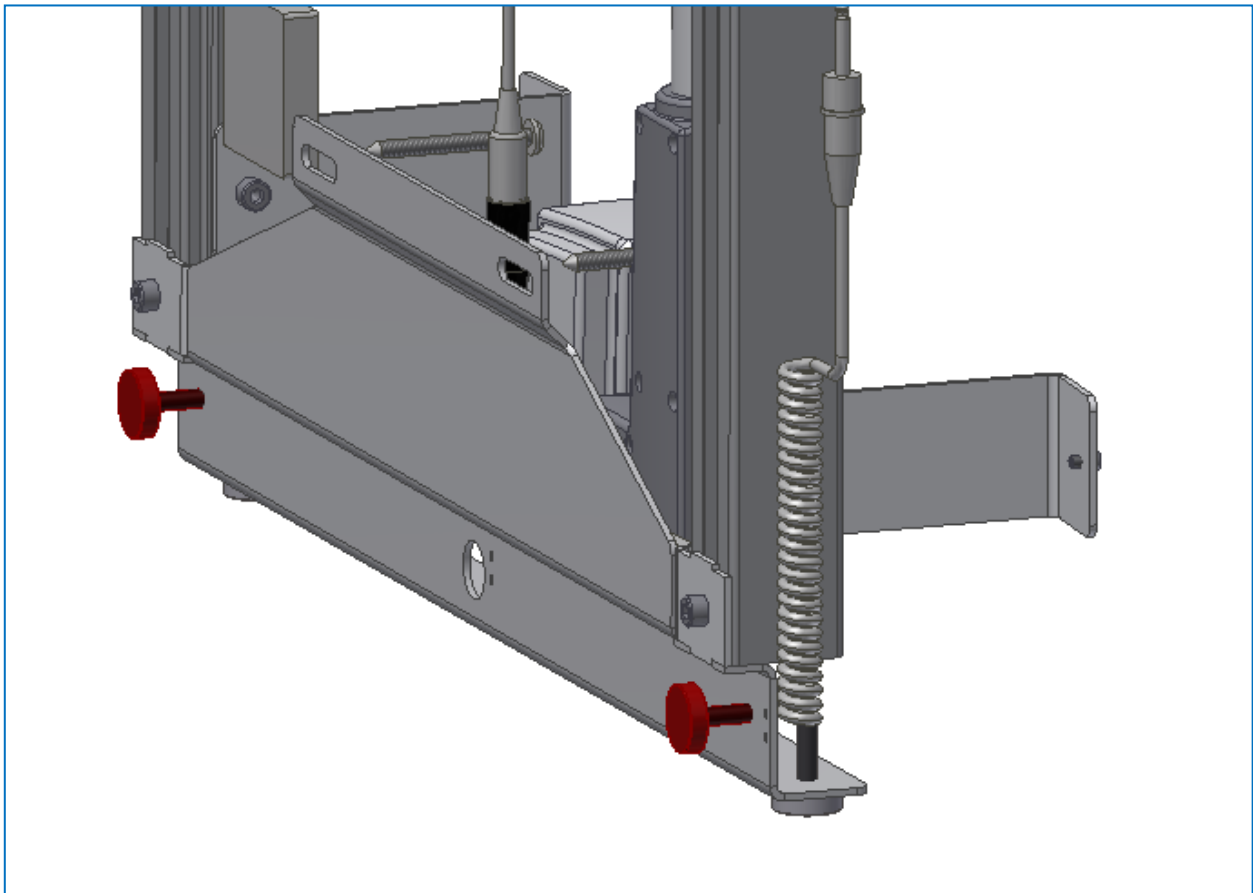
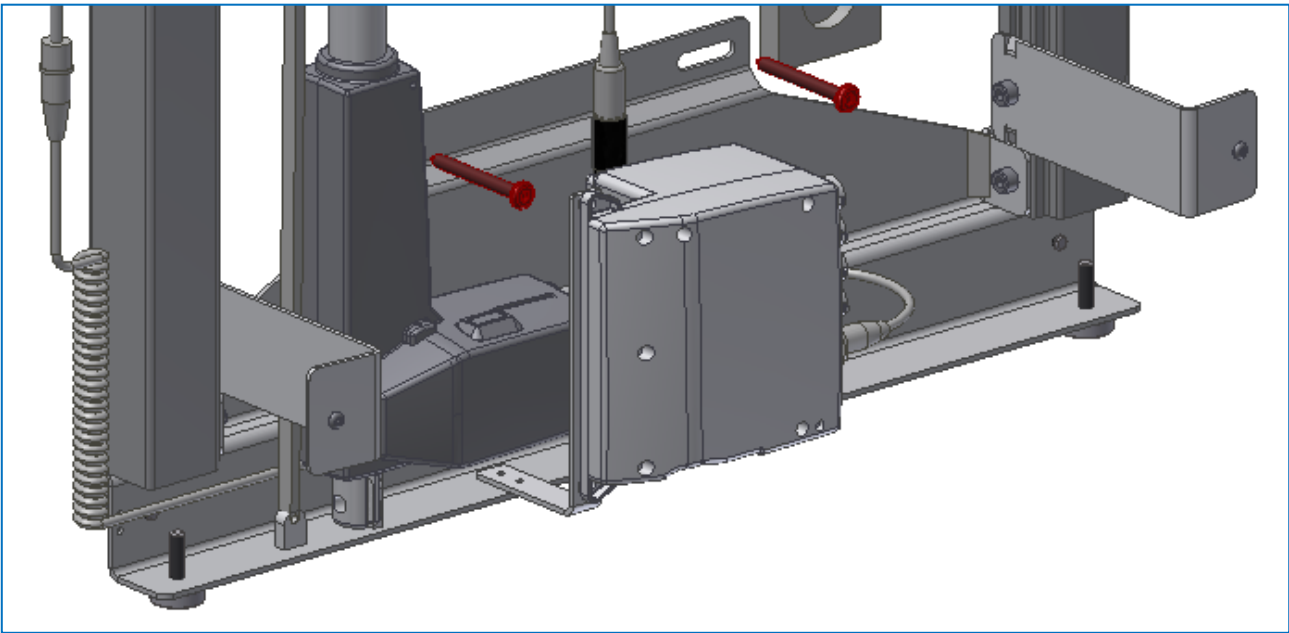
The holes for fastening can be marked up on the wall, four possibilities in the top, and two in the bottom of the frame. Place the frame against the wall and make sure it is horizontal. The frame is standing on two adjustable feet. The holes in the frame are all Ø 10mm. Remove the frame and drill the holes.

The nursing table is supplied together with a set (8 pcs.) of screws and rawlplugs, which is used to mount the unit in a concrete wall. The installer must always examine the material, condition and strength of the wall and use appropriate screws and rawlplugs.

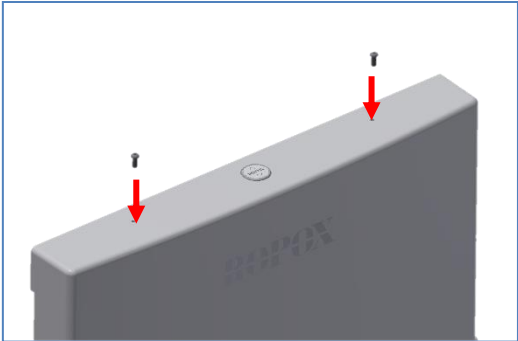
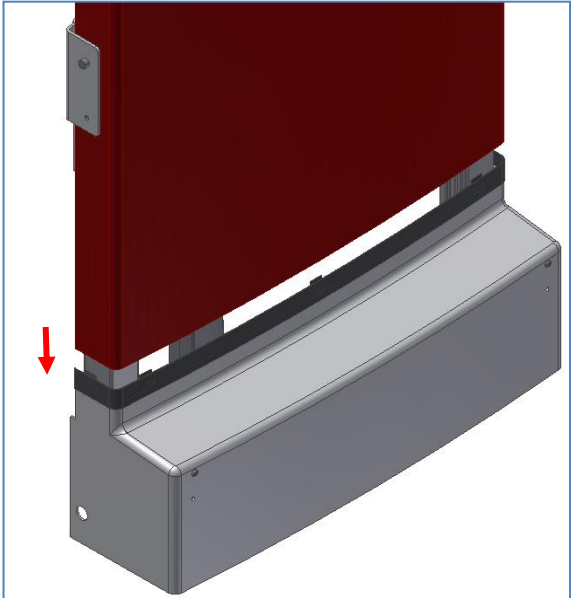
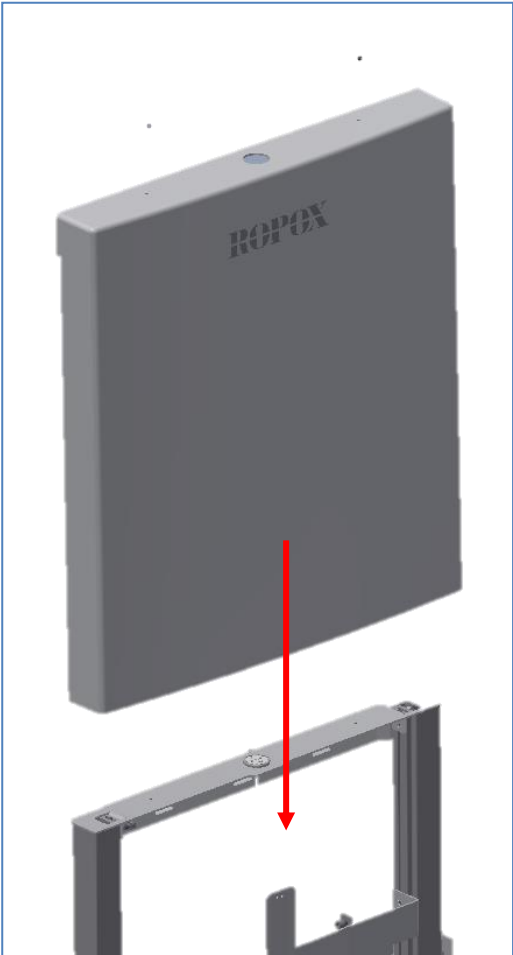
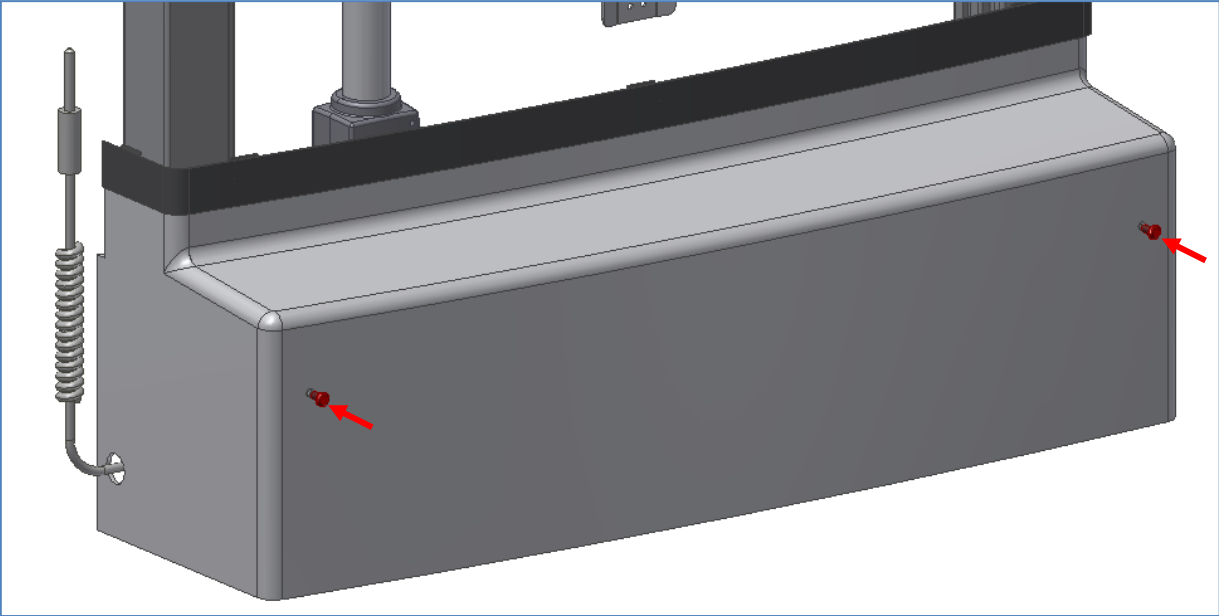
	<p>Caution! Ensure no dust or other obstacles are interfering with the rollers, chain, sprocket, or gas springs. This can cause malfunction, and damage the system.</p>
--	--

1. Start by removing the outer covers from the lifting unit. Then, when it has been determined where the unit should be mounted in the room, the unit is mounted on the wall. Make sure the unit is level. This can be done with the adjustment screws at the bottom, and against the wall. Also keep in mind where the power will be placed.

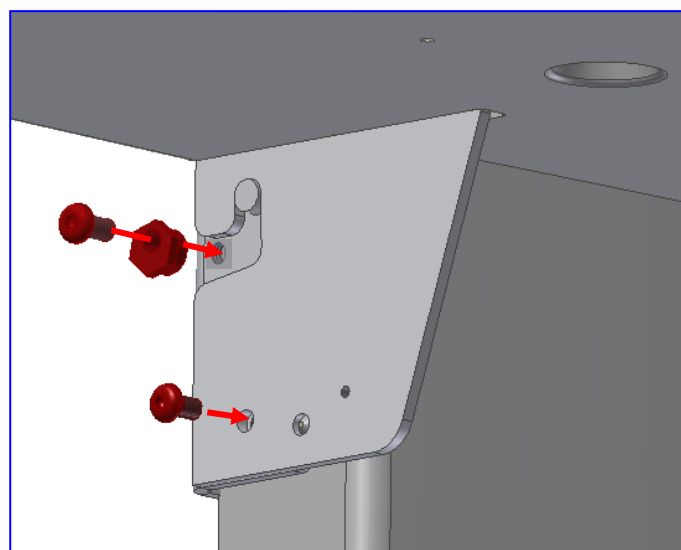
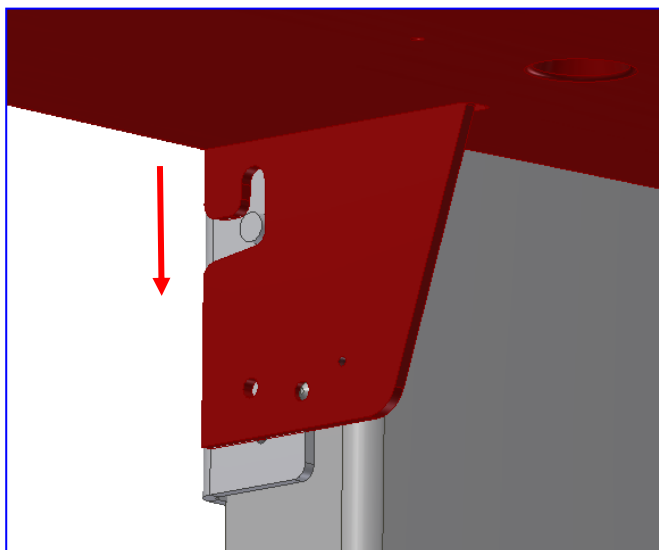
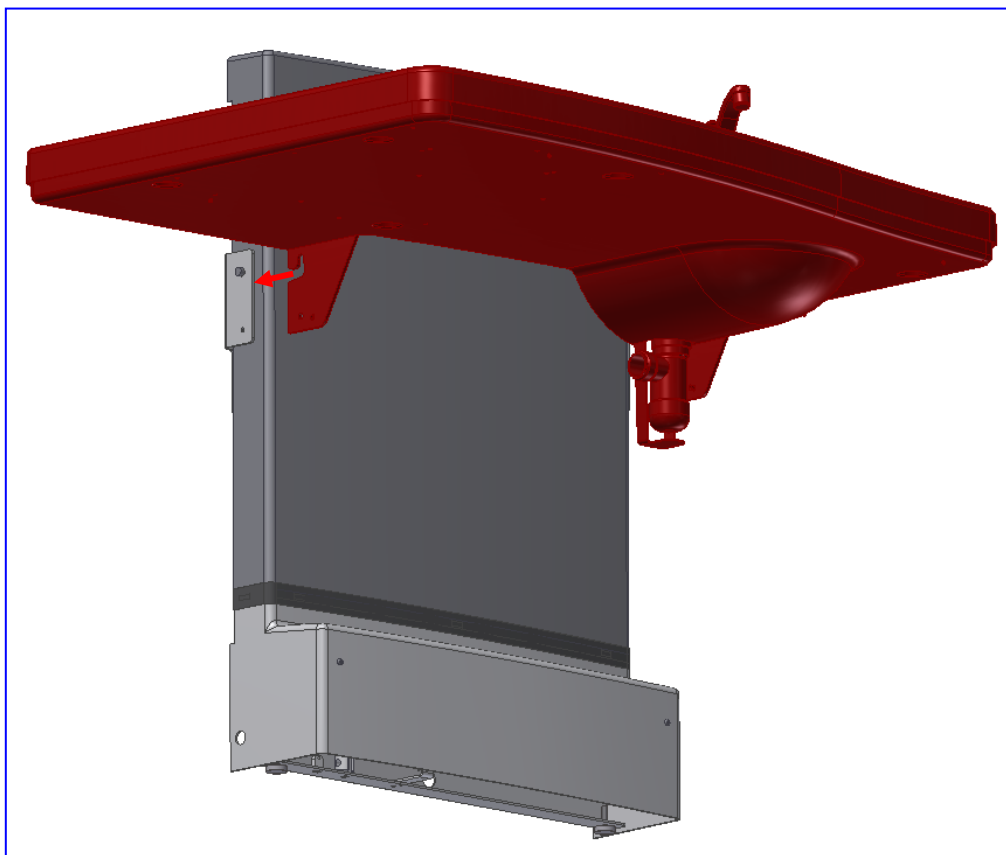




2. Re-mount the outer covers. Start with the lower cover.

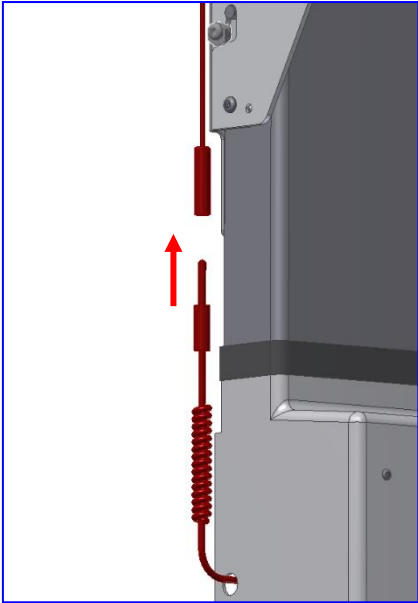


3. The tabletop unit can now be mounted on the lifting unit. The tabletop unit comes pre-assembled.

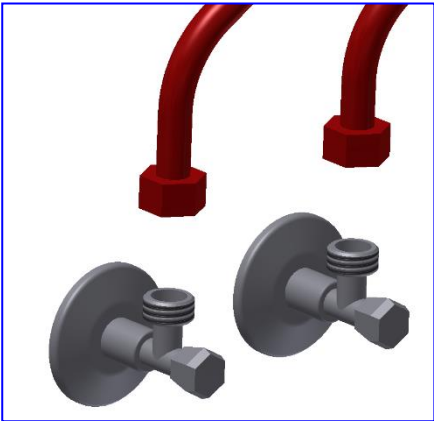
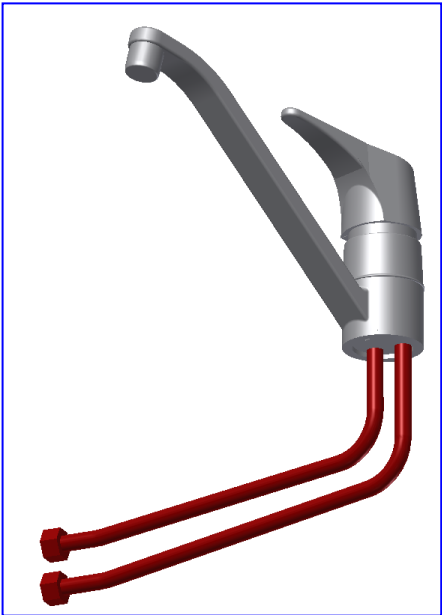
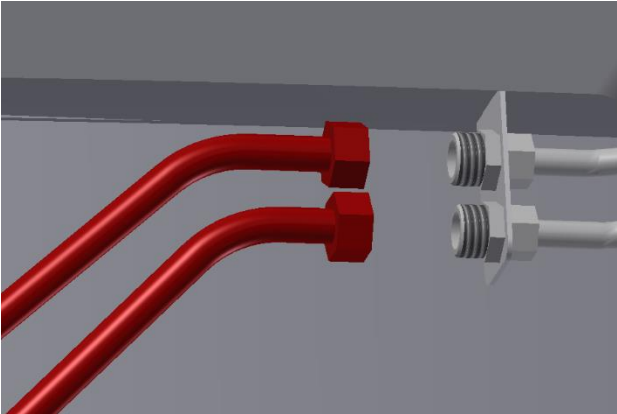
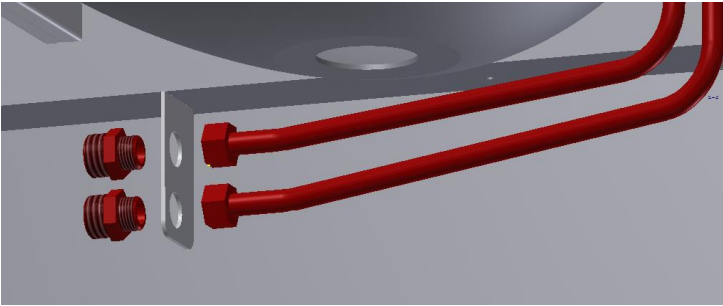


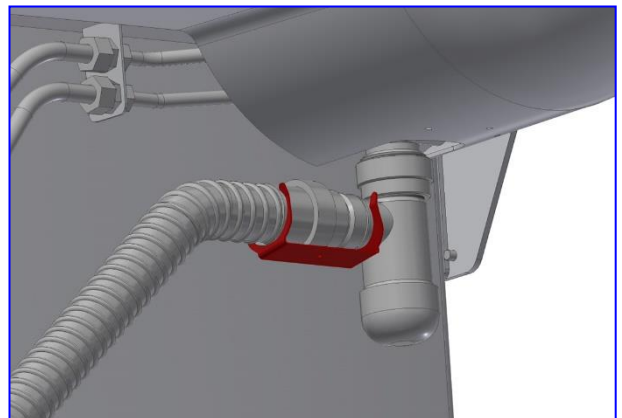
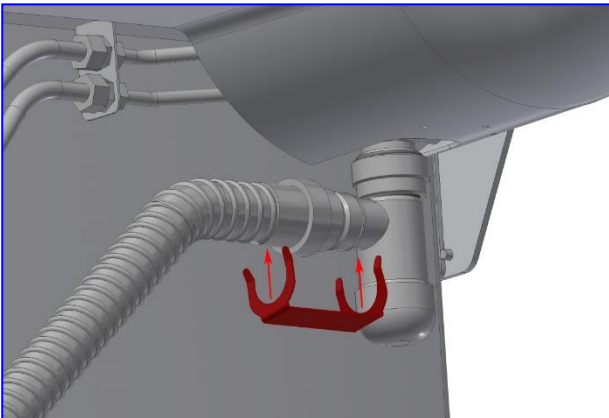
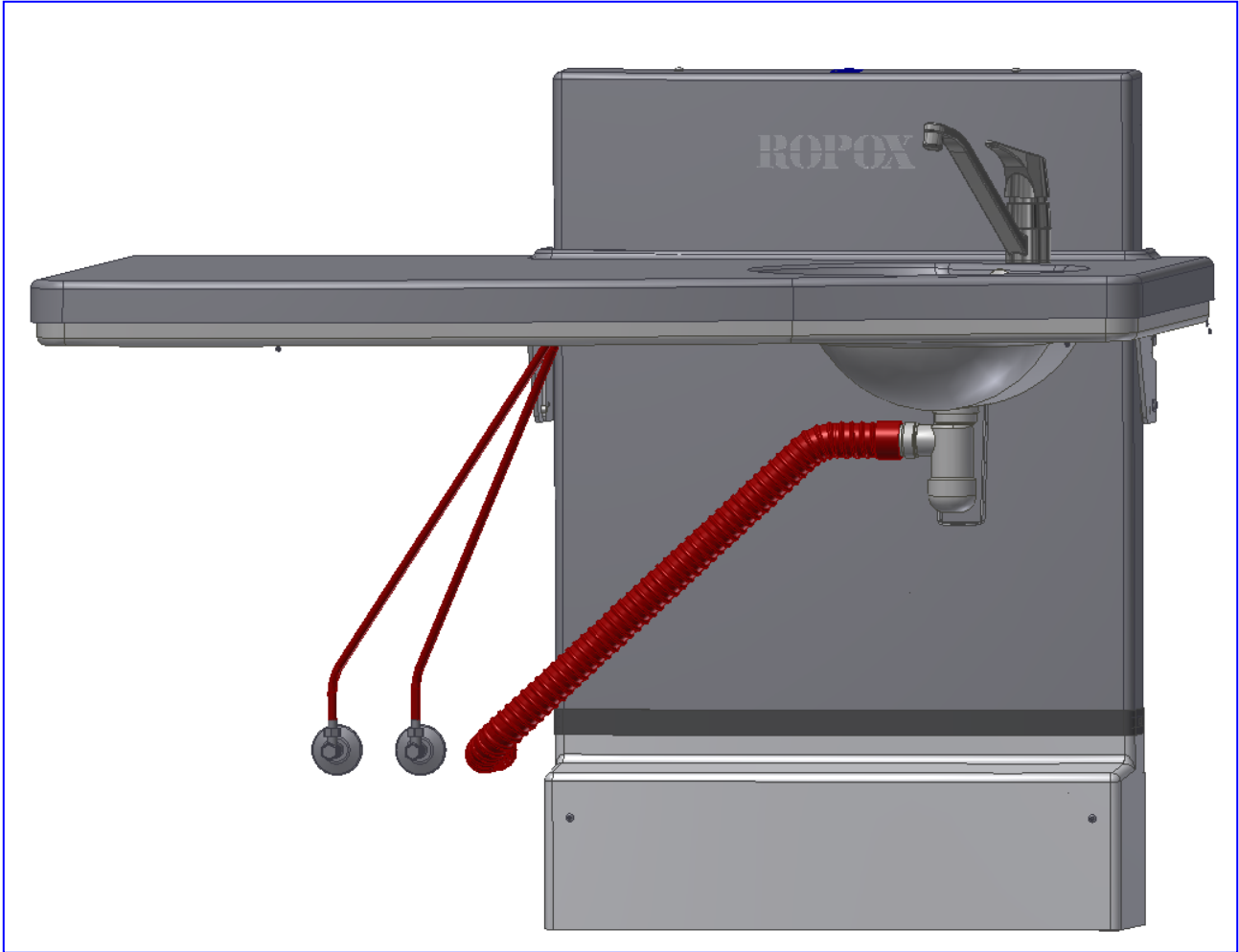
	<p>Caution!</p> <p>When the tabletop has been mounted, measure between the tabletop and the wall. There must be 4mm of distance at most. If it is more than 4mm, there's a risk of entrapment/squeezing. Adjust the tabletop by pulling up on it, it's mounted with Velcro. When the top is free, position it such, that after re-attaching it, there is 4mm of distance or less!</p>
--	--

4. Connect the safety stop cable as shown.

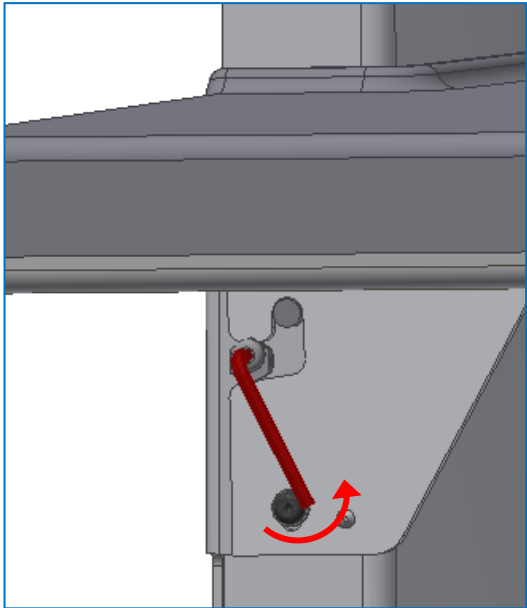
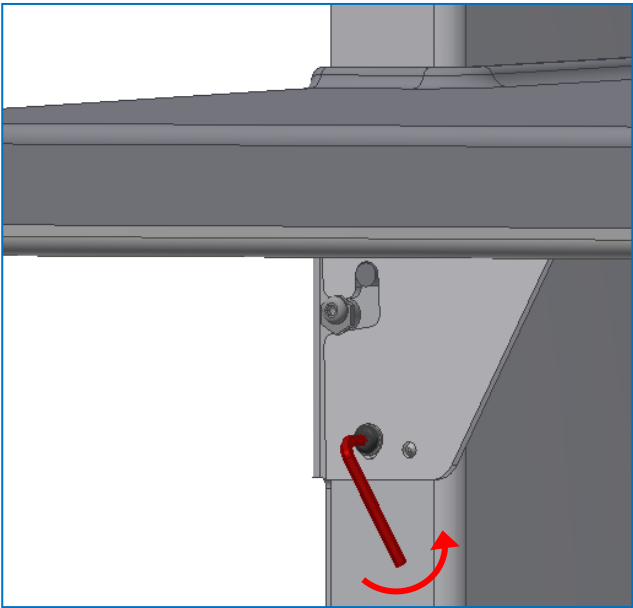
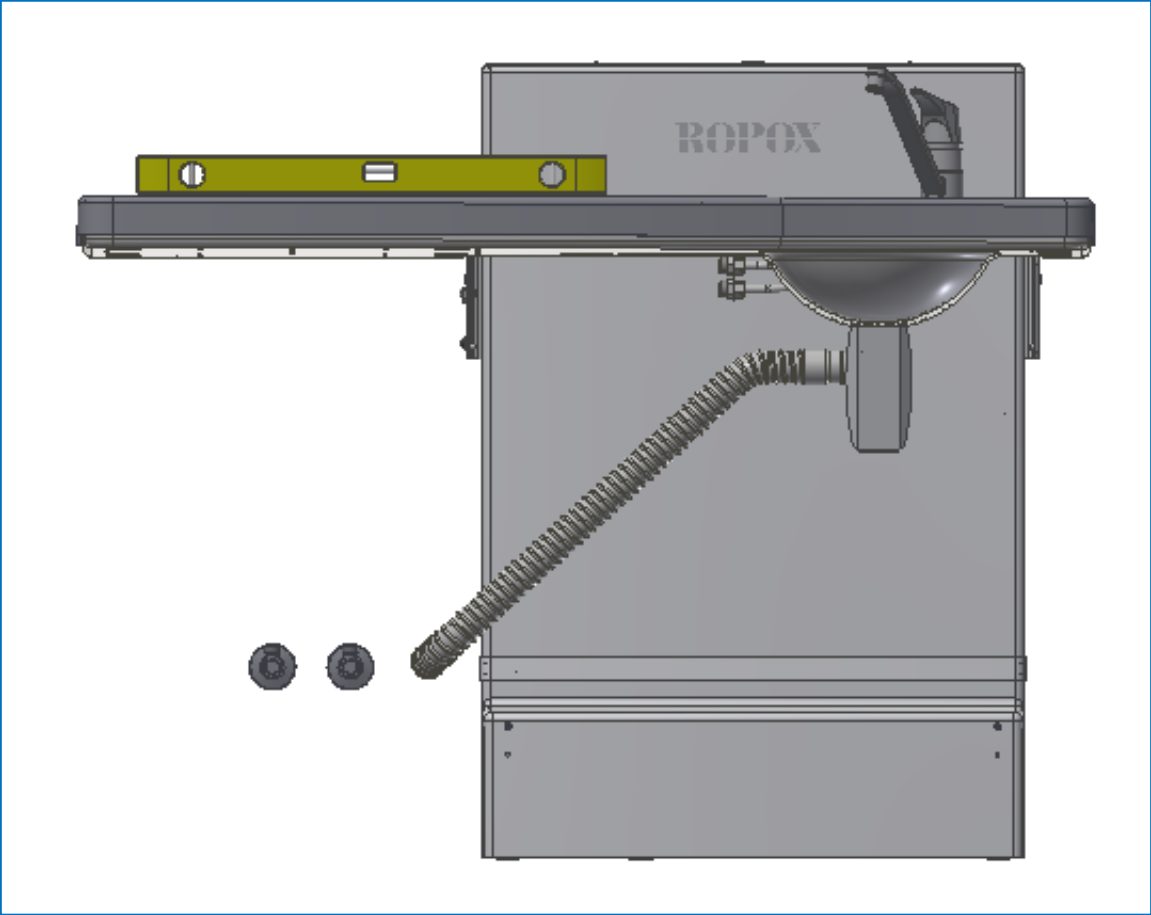


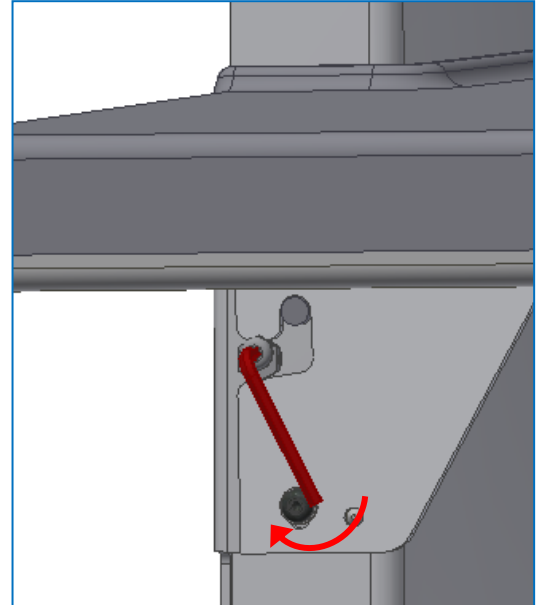
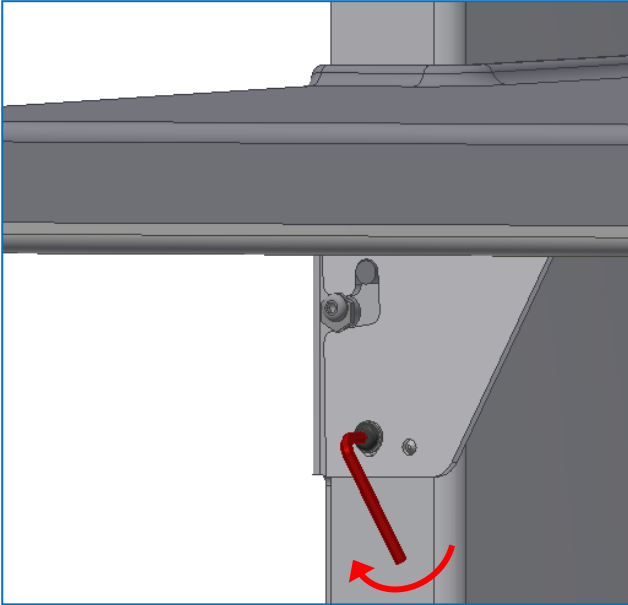
5. The water and drain can now be mounted. Drain hoses and water hoses come with the product.





6. The nursing table is now installed. If the tabletop unit is still not level, it's possible to adjust it. This is done by tightening/loosening the screws in the sides.



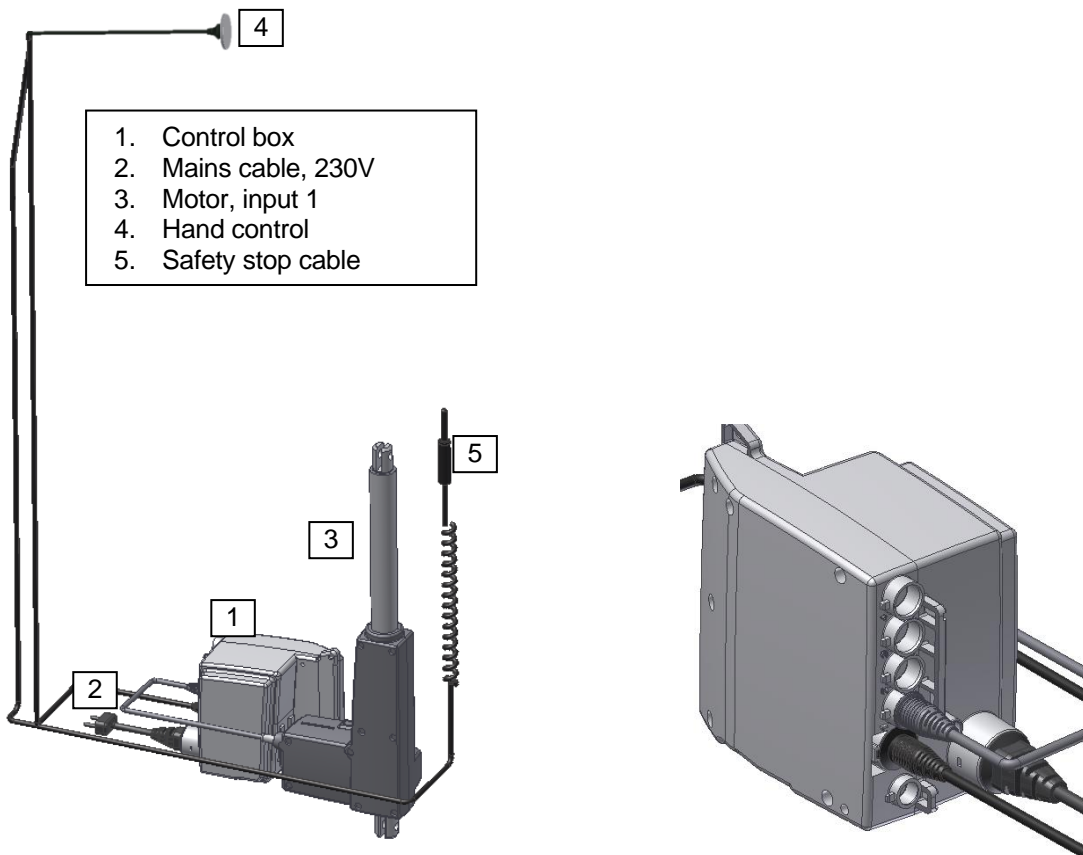


4.4 Wire diagram







The nursing table is supplied with the control box already mounted on the frame. The wire diagram shows how the cables are connected.

Every plug is waterproof; hence they might be difficult to plug into or dismount from. Make sure the cable is turned in the correct direction before plugging it into the control box. The cable must be pressed into the plug, until the O-ring is no longer visible.

The motor cable is connected to input 1 in the control box. Input 2, 3 and 4 is unused, and is mounted with sealing plugs. The hand control is connected to input "HB". The mains cable is connected to the side of the control box.



4.5 Residual risks

<p>Warning!</p>  <p>Never place your hands, fingers or feet between the tabletop and the wall or lifting unit. Adults must ensure that children on the nursing table keep away from these, while the table is being actuated!</p>	
<p>Warning!</p>  <p>Be aware of loose cables and hoses! Do not let children play near these, as they constitute a strangulation hazard, if the cable is twisted around the neck!</p>	
<p>Warning!</p>  <p>In case of incorrect mounting of plumbing parts, a slipping hazard may occur, as water will spill on the floor, increasing the risk of falling.</p>	

5. Performance test

After installation and prior to use, all functions of the nursing table must be tested. The test must be carried out by competent personnel. Subsequently the test shall be carried out at least once a year:

Testing prior to connection of mains voltage:

1. Check that the mounting instructions have been followed.
2. Check that all bolts have been tightened.
3. Check that all cables have been connected correctly and that the plugs have been pressed down.
4. Check that there is no load on the frame.
5. Apply some load to the tabletop, the frame must not yield at the wall.
6. Check that there is nothing preventing the nursing table from moving freely within the height adjustment range.

Connect main power to control box and continue testing:

7. Press the DOWN button, move the frame to its bottom position & check that movement is even and controlled. Be aware that hose connections follow movement of frame and do not get trapped.
8. Press the UP button, move the frame to its top position & check that movement is even and controlled. Also, be aware that the tabletop does not bump into the wall. If this is the case, it could be because the wall is skewed. If the wall is only a little skewed (1-2mm) it is possible to adjust by moving the tabletop. The tabletop is fastened with Velcro. Remove tabletop from Velcro in the opposite side of the washbasin and slightly pull away from wall and secure again.
9. If the wall is skewed more than 4mm, it's recommended to have the lifting unit be jacked away from the wall, so that the distance is at least 25mm. This is to prevent a squeezing hazard.
10. Press DOWN on the control switch and let the frame move 2-5 cm downwards, then activate the safety stop. The frame must stop downwards movement.

If all these tests are ok, the nursing table is ready for use. See section "Safety instructions".

6. Safety instructions

- Never leave a child unattended on the nursing table without supervision – not even for a short period of time.
- The nursing table may only be operated by adults.
- Children aren't allowed to play on the product. When the nursing table is driven up or down, the child must be still, as they otherwise might risk losing their balance.
- Be aware of other people in the room when operating the product. No children should play with, or under, the nursing table.
- Make sure that there is free space above and underneath the nursing table to allow height adjustment. Also ensure that there are no obstacles to the sides of the table, to avoid a crushing hazard.
- If the control switch is damaged, or doesn't work, it must be replaced. The control switch is press-and-hold. The motor will stop when the button is released. This is an important safety factor.
- If two nursing tables are mounted beside each other, it's recommended to mount a side covering.
- It is recommended to always have side bed guards mounted. This way, children will be unable to roll over the sides.
- When installing the product, it's important to account for crushing and entrapment hazards.
- The height adjustment of the nursing table may not be used if it's damaged or faulty.
- Any change to the function or construction of the nursing table is disallowed.
- Be aware, if the sink is blocked while the water is running, it will lead to a slipping hazard from the floor getting wet.
- Take care to not trip on the wires and hoses.
- Installation, service, and repairs should always be carried out by competent personnel.

7. Troubleshooting

Problem	Solution
The nursing table doesn't drive when the up or down button is pressed	Check: <ul style="list-style-type: none"> ➤ If the power is connected ➤ If every cable is connected correctly, and pressed all the way in ➤ If the nursing table only adjusts upwards. The safety stop might be blocked or activated ➤ Dismount every cable, then re-mount them ➤ Contact Ropox for support
The safety stop is blocked or stuck	<ul style="list-style-type: none"> ➤ Adjust the tabletop. This is connected with Velcro. It can be loosened, and readjusted. Make sure to always keep at most 4mm of distance from wall to tabletop. This is to prevent entrapment.
Control switch is defect	Check: <ul style="list-style-type: none"> ➤ If the nursing table can be adjusted with another control switch
Frame seems loose or unstable	<ul style="list-style-type: none"> ➤ Tighten the screws and bolts as instructed in the mounting instructions
The nursing table can't be adjusted in height, or is very difficult to adjust	<ul style="list-style-type: none"> ➤ Check to see if something is stuck, and preventing the height adjustment
Water doesn't drain from sink fast enough	<ul style="list-style-type: none"> ➤ Check the water siphon for clogging. If it's clogged, clean it ➤ Check to see if the drain hose has been placed too high on the wall. If it has, it might create a water lock with the nursing table in certain positions. Refer back to "Installation Interfaces"


8. Service and maintenance

8.1 Cleaning, frame

Simply dry the frame with a wrung cloth with lukewarm water and a regular cleaning agent. Do not use etching/grinding fluids or grinding cloths, brushes, and sponges. After cleaning, make sure to dry off the frame.

8.2 Cleaning, tabletop

The surfaces should be cleaned daily with water, and afterwards dried with a cloth. Do not use etching/grinding fluids or grinding cloths, brushes, and sponges. Disinfection of the tabletop may be done using standard disinfectants.

	<p>Note!</p> <p>Do not use cleaning agents containing abrasive e.g. scouring powder, steel wool, scouring sponge.</p> <p>This product is not designed to be sterilized, autoclaving and sterilization beyond normal cleaning may possibly change the product safety and function.</p>
---	--

8.3 Maintenance



Note!

Failing to comply with periodic maintenance may result of degrading of product function and safety.

The frame requires no maintenance, as it has been lubricated for life. For reasons of safety, and to ensure proper operation, it's recommended to conduct yearly inspections by following the below mentioned procedure.

During inspections:

- Check that all bolts have been tightened.
- Check that the frame moves freely from bottom to top position without problems.
- Check that water and waste pipes are tight and undamaged.
- Check that all cables have been fitted correctly and are undamaged.

After each inspection the service schedule shall be filled in.



Note!

Ropox will make parts list and circuit diagrams available for maintenance and repair beyond what is described in this manual. Only use Ropox original spare parts as replacement parts. If other parts are used, the guarantee may become void. Repair beyond what is described in this manual may only be done by Ropox designated service personnel.

8.4 Service schedule, operation, and maintenance

Service and maintenance Serial No.

Date: _____

Signature: _____

Remarks: _____

Service and maintenance Serial No.

Date: _____

Signature: _____

Remarks: _____

Service and maintenance Serial No.

Date: _____

Signature: _____

Remarks: _____

Service and maintenance Serial No.

Date: _____

Signature: _____

Remarks: _____

Service and maintenance Serial No.

Date: _____

Signature: _____

Remarks: _____

Service and maintenance Serial No.

Date: _____

Signature: _____

Remarks: _____

Service and maintenance Serial No.

Date: _____

Signature: _____

Remarks: _____

Service and maintenance Serial No.


Date: _____

Signature: _____

Remarks: _____

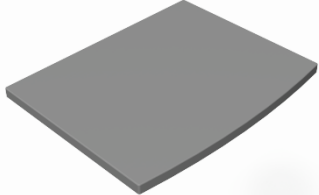
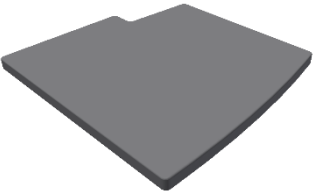
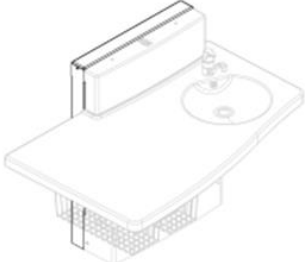
9. Spare parts


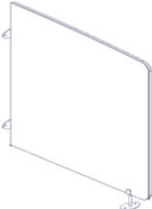
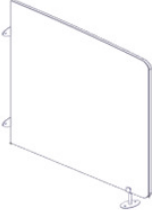




<p>Control switch</p> <p>Item No. 97000259</p>	
<p>Motor</p> <p>Item No. 97000462</p>	
<p>Control box</p> <p>Item No. 97000469</p>	



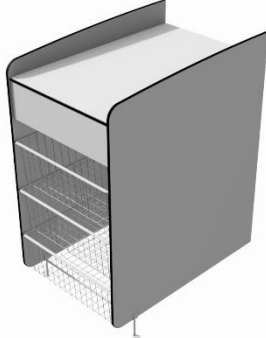

	<p>Caution!</p> <p>Only use original Ropox spare parts as replacement parts. If other parts are used, the warranty may be void.</p>
---	--

10. Accessories

For Ropox Nursing Table Maxi 2 the following products can be purchased as accessories. Do Note, some accessories must be ordered together with the product. This will be in the description.

Item number	Description	Image
50-50680	<p>Mattress for Nursing Table 90cm 88 x 70 x 4 cm</p>	
50-50681	<p>Mattress for Nursing Table 130cm 88 x 75 x 4 cm</p>	
50-50685	<p>Adapter frame for Nursing Table Maxi 2 Wall distance: 20 mm</p>	

50-50686	Adapter frame for Nursing Table Maxi 2 Wall distance: 80 mm	
50-50682	Side covering, white compact laminate 82 x 105 cm. For mounting on floor/wall	
50-50683	Side covering, white compact laminate 61 x 105 cm. For mounting on floor/wall	
50-50688	Side Bed Guard for Medi2/Maxi2 130 cm 82 x 24 cm. Mounted on worktop Not for retrofitting	
50-50699	Side Bed Guard for Medi2/Maxi2 90 cm 82 x 24 cm. Mounted on worktop Not for retrofitting Image shows two side bed guards mounted	
50-14684	Mixer tab Non-touch monobloc tap Iqua	
50-50694	Mixer tab with extension shower head	

50-50702	2-step ladder White	
50-50690	Extra hand control with spiral cable For Maxi 2 and Medi 2 with safety stop	
50-50697	Ropox Basket unit without wash basin	
50-50696	Ropox Basket unit with wash basin	

11. Environmental protection

The product is not intended to be disposed as municipal waste. Proper disassembly, sorting and disposal of components must be done by waste disposal professionals.




Part	Disposal recommendation
Lifting unit/frame	Steel
Mixer tap	Steel
Covers	Plastic
Control box	Electronic
Actuator	Electronic

12. Electromagnetic compatibility

12.1 Suitable Environments


The device is suitable for use at home, at daycare centers, at day centers for persons with physical or mental disabilities or at hospitals except near active HF surgical equipment and the RF shielded room of a medical electrical system for magnetic resonance imaging, where the intensity of electromagnetic disturbances is high.

12.2 Adjacent and stacked use


	Warning! Use of this equipment adjacent to or stacked with other equipment should be avoided because it could result in improper operation. If such use is necessary, this equipment and the other equipment should be observed to verify that they are operating normally.
---	---

12.3 Cables

Cable component	Length
Power cable	3,2m
Hand control spiral cable	Approx. 5m extended.

	Warning! Use of accessories, transducers, and cables other than those specified or provided by the manufacturer of this could result in increased electromagnetic emissions or decreased electromagnetic immunity of this equipment and result in improper operation.
--	---

12.4 RF portable equipment

	Warning! Portable RF communications equipment (including peripherals such as antenna cables and external antennas) should be used no closer than 30 cm (12 inches) to any part of the device, including cables specified by the manufacturer. Otherwise, degradation of the performance of this equipment could result.
---	---

13. Complaints

See General Terms of Sale and Delivery on www.ropox.com

**UK
CA**

CE

ROPOX A/S

Ringstedgade 221

DK – 4700 Næstved

Tel.: +45 55 75 05 00 Fax.: +45 55 75 05 50

E-mail: info@ropox.dk

www.ropox.dk