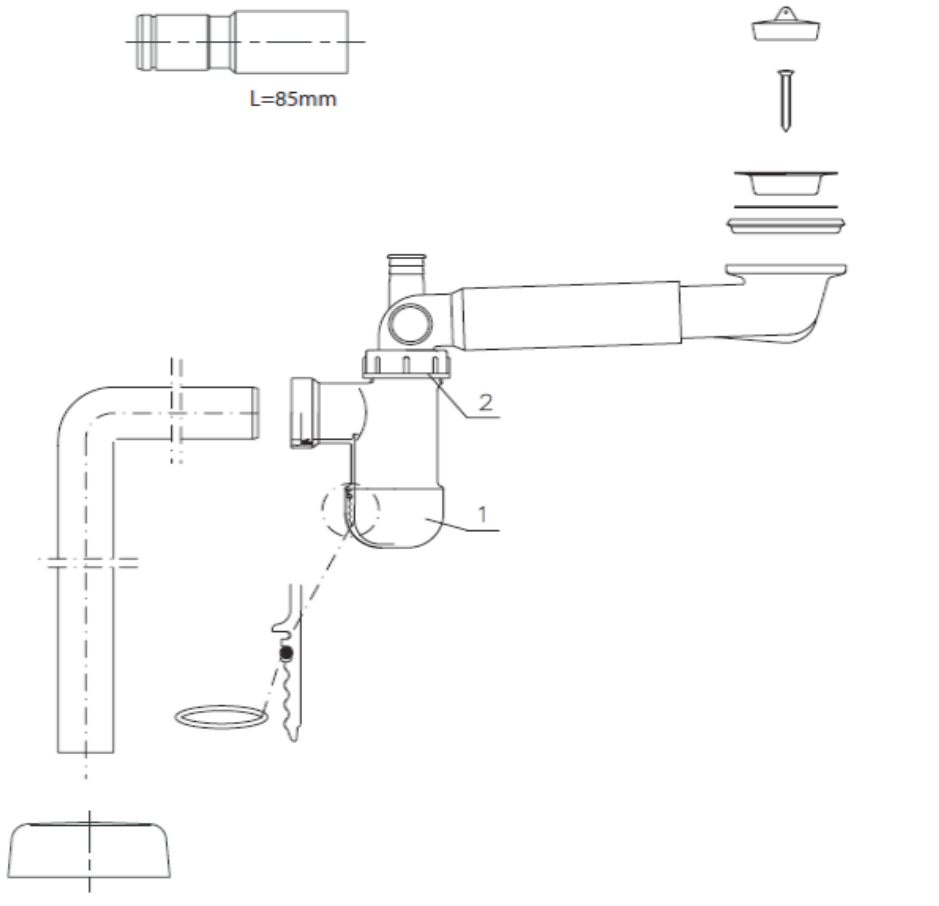


CLEANING THE WATER TRAP



Place a vessel, such as a hand basin, under the water trap.

Unscrew the bottom cap (1). The water in the trap will flow into the vessel. Clean the cap and rinse the water trap without the cap on. Keep the vessel under the trap.

Screw the bottom cap back on by hand.

If water does not flow freely through, a more thorough cleaning is required. Unscrew the upper ring (2) and rinse the entire trap or clean it with a bottle brush. After cleaning, screw the ring back on by hand.

For more information, please visit www.korpinen.com

