

Gaius bathroom

Content

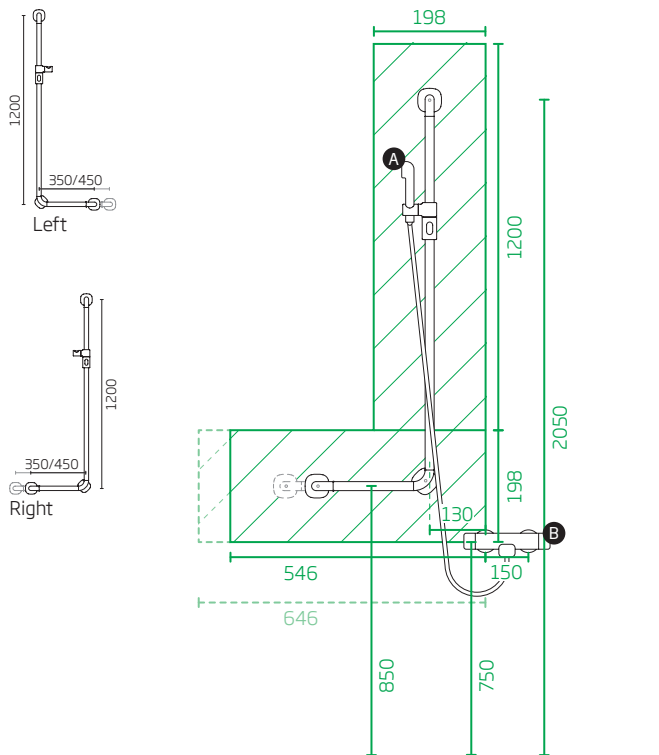
		 Construction	 Plumbing	 Electrical
Gaius Modular shower supports 16399/16400 & 16388	Page 2	✓		
Gaius Solo shower supports 16805/16806 & 16804	3	✓		
Gaius Sense height adjustable shower seats 17412 & 17413	4	✓		
Gaius height adjustable shower seat 17372GAM	5	✓		
Gaius Regal height adjustable support rail 20106	6	✓		
Gaius cabinets & equipment cabinet 6300, 6309, 6313, 6314 & 6320	7	✓		✓
Gaius DUO 17782 & 17783	8	✓	✓	✓
Gaius Original fixed basins 6202 & 6203	9	✓	✓	
Gaius Original height adjustable basins 6202+6230 & 6203+6230	10	✓	✓	
Gaius Original crank height adjustable basins 6236.5R & 6236.5L	11	✓	✓	
Gaius Original electric height adjustable basins 6202+6513.5R & 6203+6513.5L	12	✓	✓	✓

Reinforcements of background structures must be made by professionals in accordance with good construction practice and local regulations.

Gaius Modular shower supports

16399/16400 & 16388

INTERFACE/INSTALLATION INSTRUCTIONS



16399 (width 450 mm)/16400 (width 350 mm)



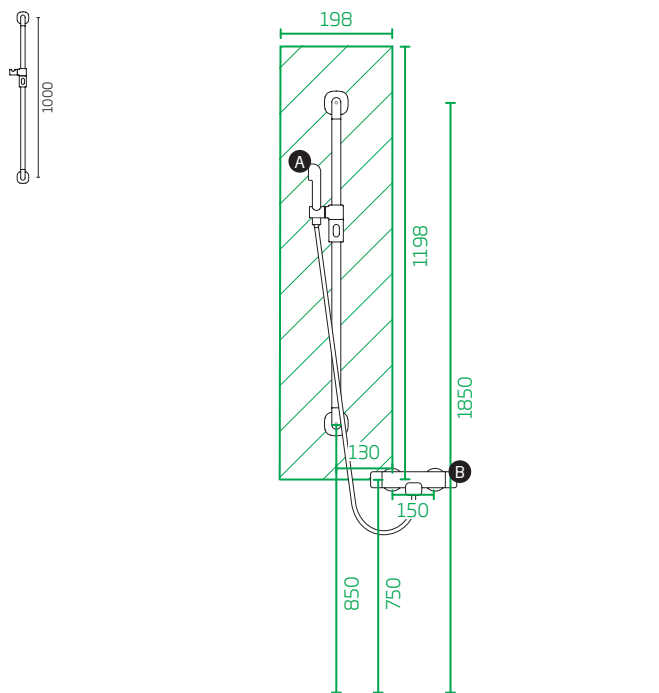
CONSTRUCTION:

Construction reinforcements (2"x8" C24 or better quality) or birch plywood 21mm from the floor to the roof.

Load-bearing capacity for both products is 225 kg.

- A. Oras Apollo 2520 + 241014, 1500 mm / prod.nr
- B. Oras Optima 7160 / prod.nr 850015

NOTE! Before installation, see product's installation instructions.

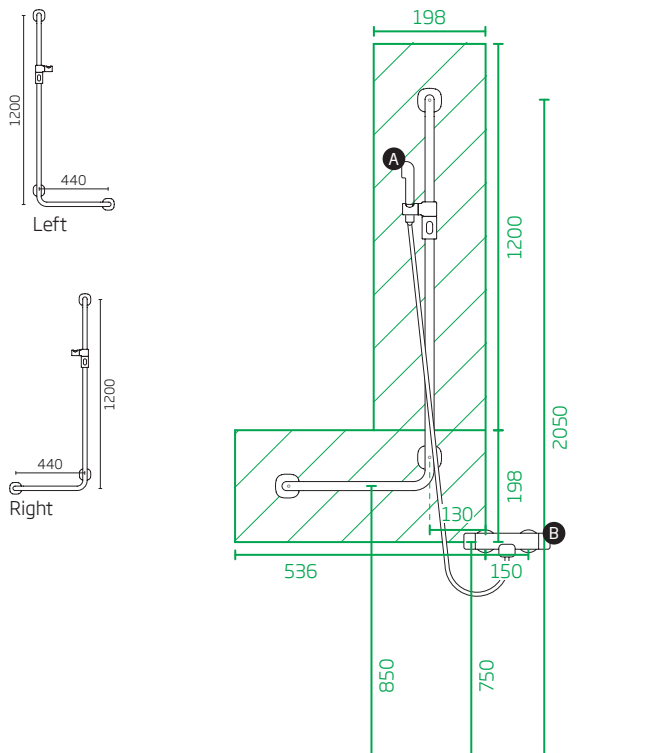


16388

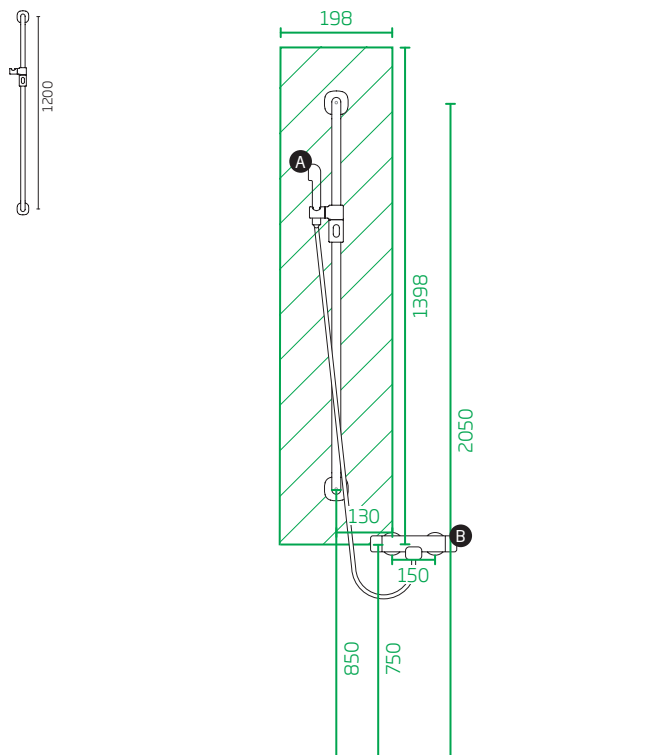
Reinforcements of background structures must be made by professionals in accordance with good construction practice and local regulations.

Gaius Solo shower supports 16805/16806 & 16804

INTERFACE/INSTALLATION INSTRUCTIONS



16805 (left) & 16806 (right)



16804



CONSTRUCTION:

Construction reinforcements (2"x8" C24 or better quality) or birch plywood 21mm from the floor to the roof.

Load-bearing capacity for both products is 225 kg.

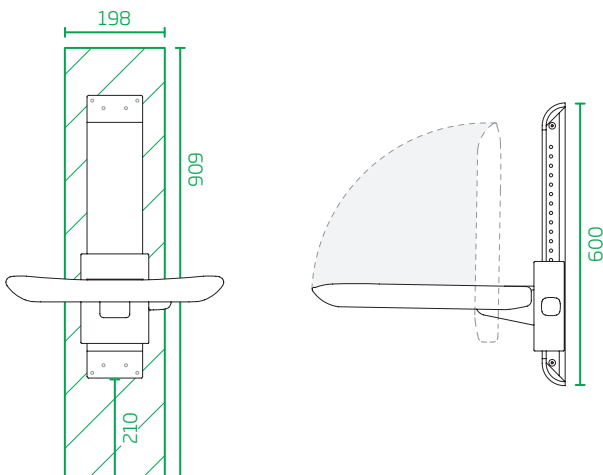
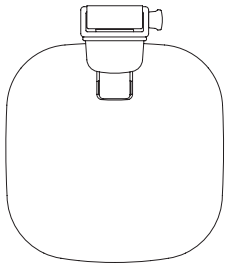
A. Oras Apollo 2520 + 241014, 1500 mm / prod.nr
B. Oras Optima 7160 / prod.nr 850015

NOTE! Before installation, see product's installation instructions.

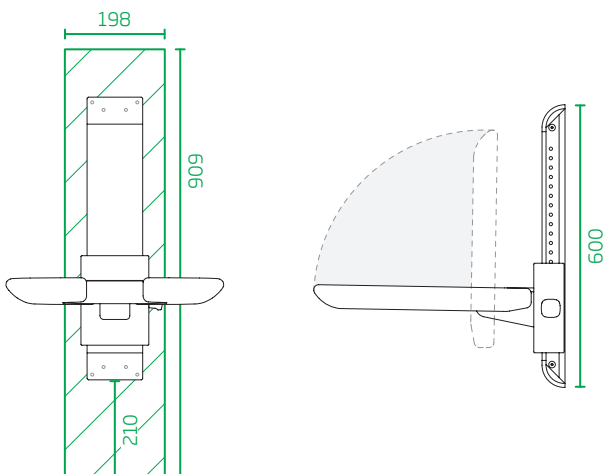
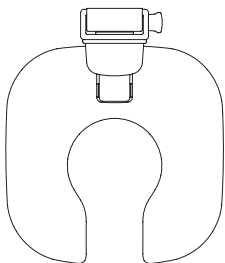
Reinforcements of background structures must be made by professionals in accordance with good construction practice and local regulations.

Gaius Sense height adjustable shower seats 17412 & 17413

INTERFACE/INSTALLATION INSTRUCTIONS



17412



17413 (Open seat)



CONSTRUCTION:

Construction reinforcements (2"x8" C24 or better quality) or birch plywood 21mm from the floor to the roof.

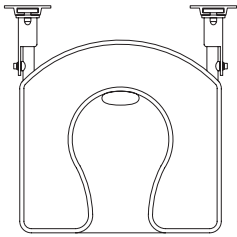
Load-bearing capacity for both products is 225 kg. For the Sense shower seat to the short term nominal load, 500kg, the fastener connected to e.g. 2"x8" (C24 or better quality) timber member has to be 8 x DIN 571 8x70. When the total thickness of tiles and drywall is not more than 25 mm.

NOTE! Before installation, see product's installation instructions.

Reinforcements of background structures must be made by professionals in accordance with good construction practice and local regulations.

Gaius height adjustable shower seat 17372GAM

INTERFACE/INSTALLATION INSTRUCTIONS

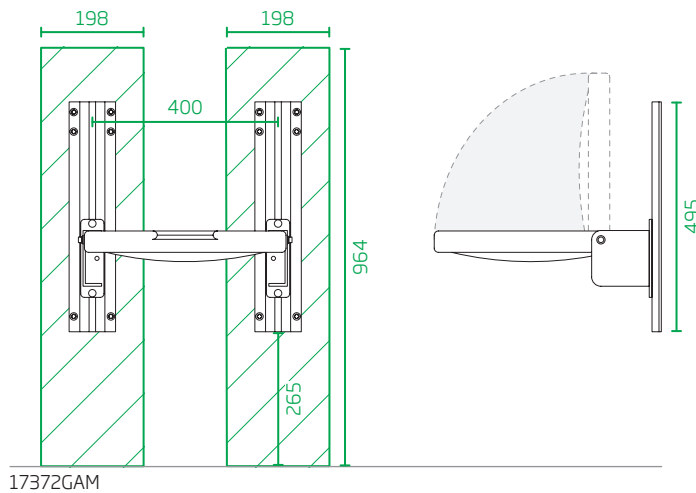


CONSTRUCTION:

Construction reinforcements (2"x8" C24 or better quality) or birch plywood 21mm from the floor to the roof.

Load-bearing capacity for both products is 250 kg. For the Sense shower seat to the short term nominal load, 500kg, the fastener connected to e.g. 2"x8" (C24 or better quality) timber member has to be 12 x DIN 571 8x70. When the total thickness of tiles and drywall is not more than 25 mm.

NOTE! Before installation, see product's installation instructions.



Reinforcements of background structures must be made by professionals in accordance with good construction practice and local regulations.

Gaius Regal height adjustable support rail 20106

INTERFACE/INSTALLATION INSTRUCTIONS

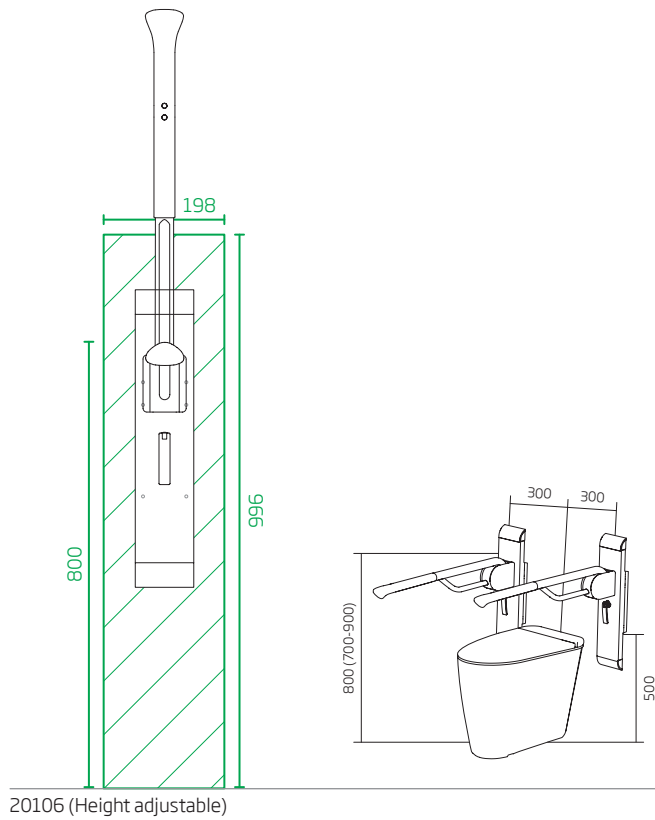


CONSTRUCTION:

Recommended installation height from finished floor is 358,5 mm. Construction reinforcements (2"x8" C24 or better quality) or birch plywood 21mm from the floor to the roof.

Load-bearing capacity for both products is 250 kg.

NOTE! Before installation, see product's installation instructions.

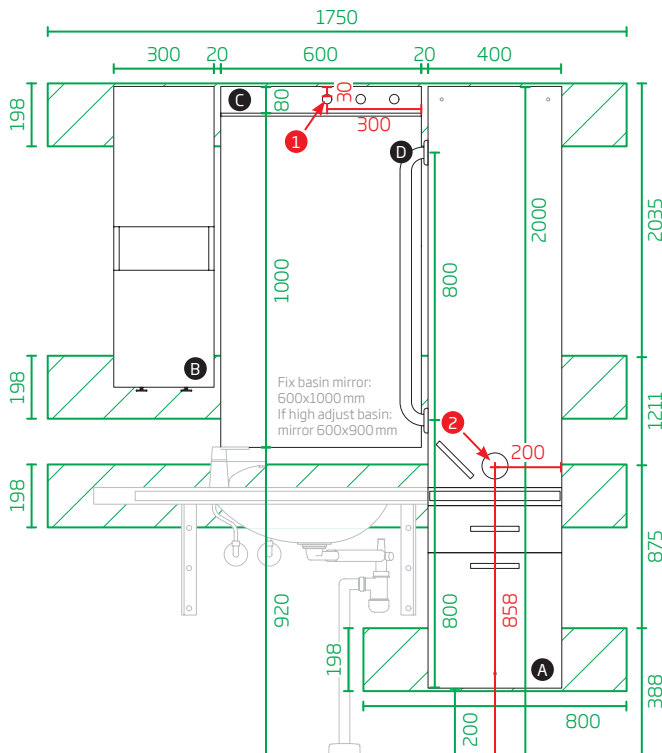


Reinforcements of background structures must be made by professionals in accordance with good construction practice and local regulations.

Gaius cabinets & equipment cabinets

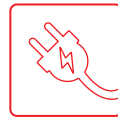
6300, 6309, 6313, 6314 & 6320

INTERFACE/INSTALLATION INSTRUCTIONS



CONSTRUCTION:

Recommended installation height from finished floor is 200 mm. Construction reinforcements (2"x8" C24 or better quality) or birch plywood 21mm from the floor to the roof.



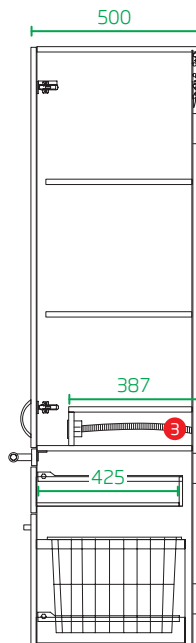
ELECTRICAL:

1. Description for electrical use.
2. Description for electrical use.
3. Cable length from wall 600 mm.

A. High cabinets: 6300, 6309, 6313 & 6314.
B. Equipment cabinets: 6320 HH, 6326, 6327, 6328, 6329 & 63003 HH.

C. Light 6110/6111
D. Solo 800 mm:
16802.

NOTE! Before installation, see product's installation instructions. Pay attention to the necessary space between the basin and the mirror, recommended space is 50 mm. Pay attention to leave necessary space between the sliding door and the cabinets.

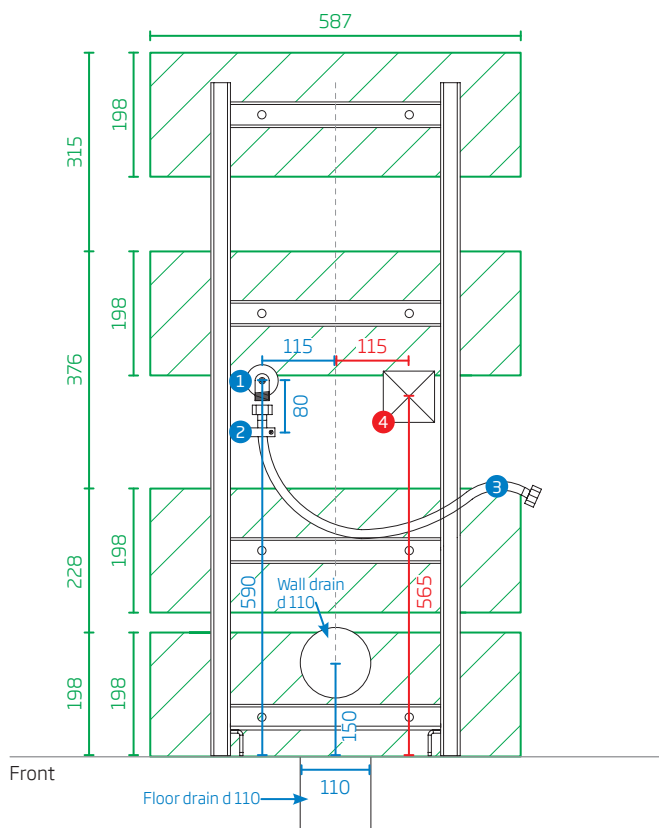


High cabinet's sideview

Reinforcements of background structures must be made by professionals in accordance with good construction practice and local regulations.

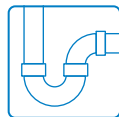
Gaius DUO 17782 & 17783

INTERFACE/INSTALLATION INSTRUCTIONS



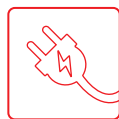
CONSTRUCTION:

Construction reinforcements (2"x8" C24 or better quality) or birch plywood 21mm from the floor to the roof.



PLUMBING:

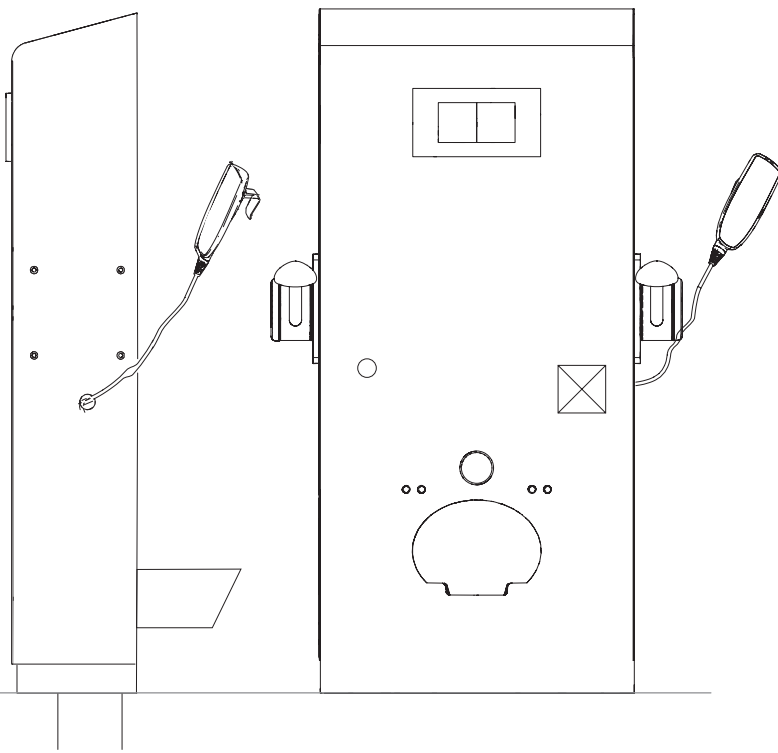
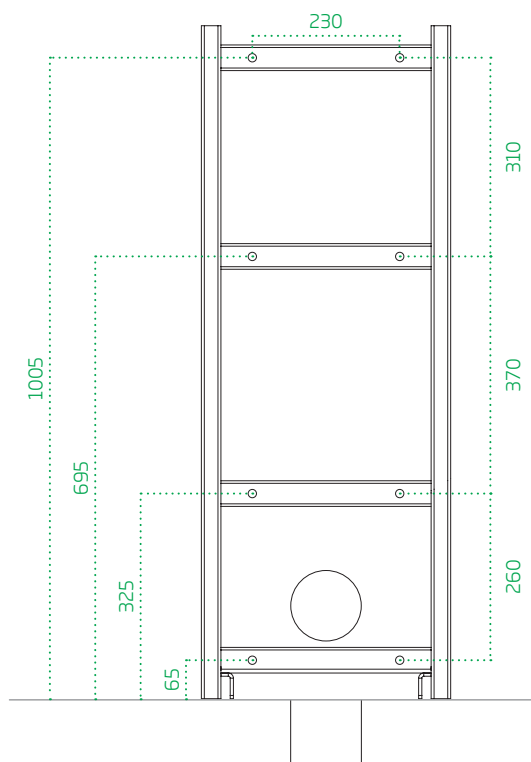
1. Water supply: G $\frac{3}{4}$ "xG $\frac{3}{4}$ " Cut-off valve. Max. depth 50 mm from the wall. Not included. 2. C holder LVI nr. 321944. Screw LVI nr. 3217174. Not included. 3. Connecting pipe G $\frac{3}{4}$ "xG $\frac{3}{4}$ " L1500 mm, LVI nr. 6522232. Not included.



ELECTRICAL:

4. Junction box 230V AC IP44. Size 88x88x44. Not included. Socket must cut off to connect the cable.

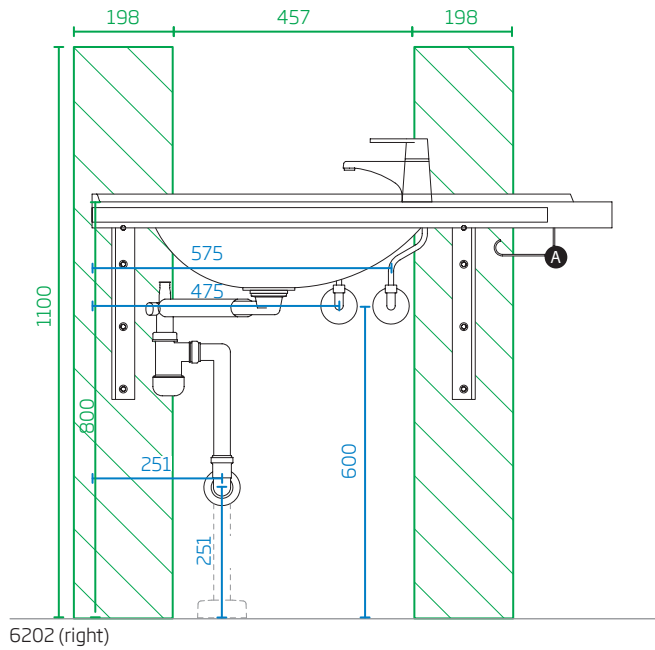
NOTE! Before installation, see product's installation instructions. The electrical and water connection must not extend from the wall by more than 50 mm. Exceeding the maximum depth of 50 mm prevents the toilet seat's downward movement!



Reinforcements of background structures must be made by professionals in accordance with good construction practice and local regulations.

Gaius Original fixed basins 6202 & 6203

INTERFACE/INSTALLATION INSTRUCTIONS



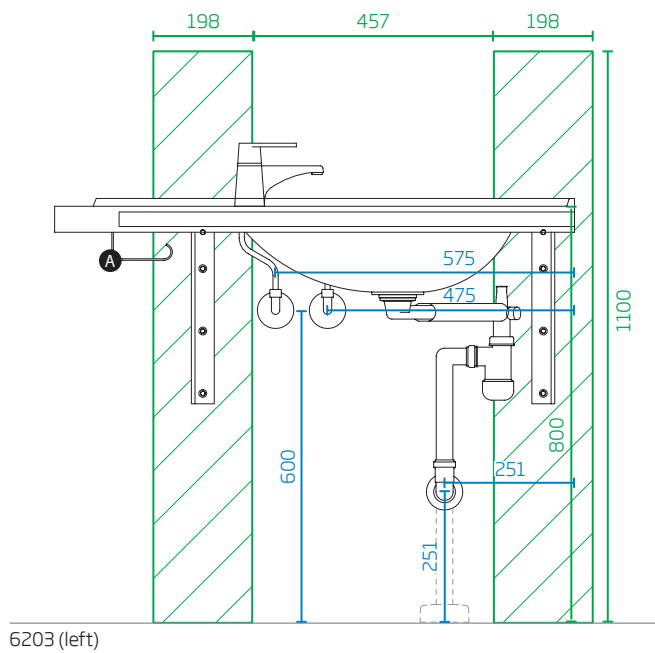
CONSTRUCTION:

Construction reinforcements (2"x8" C24 or better quality) or birch plywood 21mm from the floor to the roof.

Load-bearing capacity for these products is 225 kg.

A. Toilet paper holder: 6226.

NOTE! Before installation, see product's installation instructions.



Reinforcements of background structures must be made by professionals in accordance with good construction practice and local regulations.

Gaius Original height adjustable basins

6202+6230 & 6203+6230

INTERFACE/INSTALLATION INSTRUCTIONS



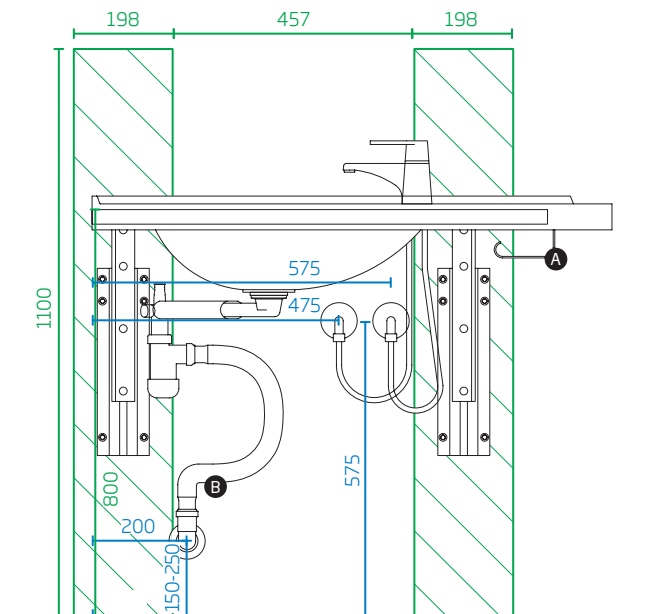
CONSTRUCTION:

Construction reinforcements (2"x8" C24 or better quality) or birch plywood 21mm from the floor to the roof.

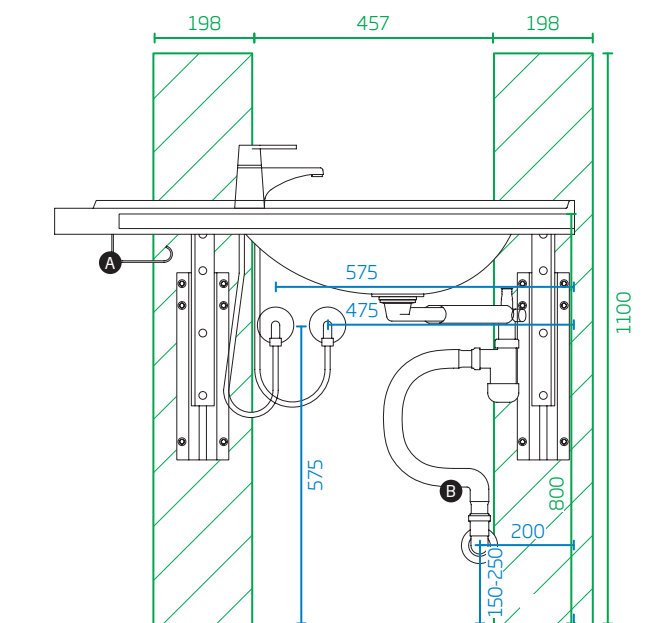
Load-bearing capacity for these products is 225 kg.

- A. Toilet paper holder: 6226.
- B. Flex sewer pipe: 992600.

NOTE! Before installation, see product's installation instructions.



6202+6230 (right)

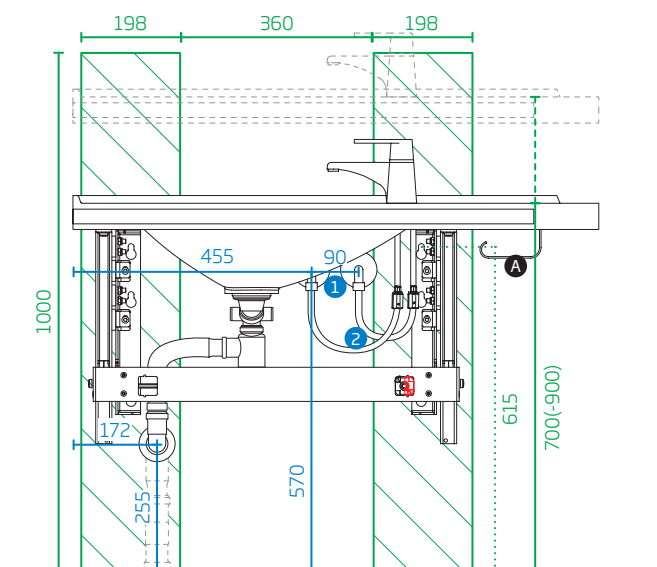


6203+6230 (left)

Reinforcements of background structures must be made by professionals in accordance with good construction practice and local regulations.

Gaius Original crank height adjustable basins 6236.5R & 6236.5L

INTERFACE/INSTALLATION INSTRUCTIONS

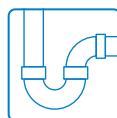


6236.5R (right) for Gaius Original 6202 basin



CONSTRUCTION:

Construction reinforcements (2"x8" C24 or better quality) or birch plywood 21mm from the floor to the roof.



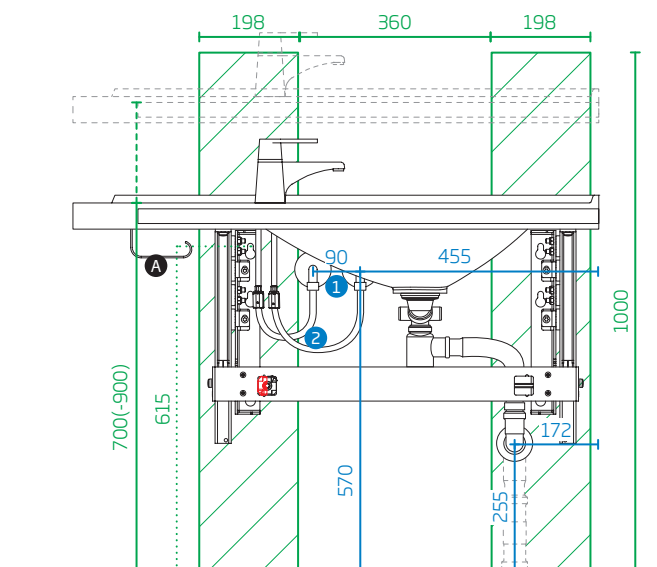
PLUMBING:

1. Water supply: G $\frac{1}{2}$ "xG $\frac{1}{2}$ " Cut-off valve. Max. depth 50 mm from the wall. Not included. 2. Connecting flex pipe G $\frac{1}{2}$ "xG $\frac{1}{2}$ " L500 mm, 2pcs. Not included.

Load-bearing capacity for these products is 225 kg.

A. Toilet paper holder: 6226.

NOTE! Before installation, see product's installation instructions. Recommended movement freedom for the basin is 700-900 mm from the floor.



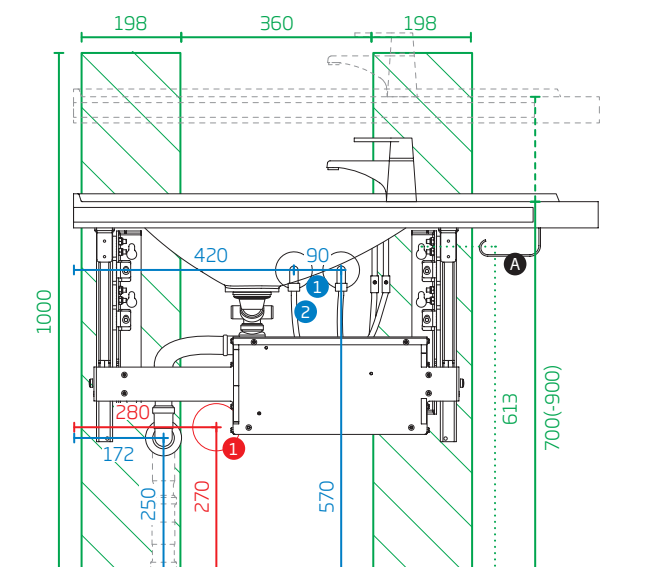
6236.5L (left) for Gaius Original 6203 basin

Reinforcements of background structures must be made by professionals in accordance with good construction practice and local regulations.

Gaius Original electric height adjustable basins

6202+6513.5R & 6203+6513.5L

INTERFACE/INSTALLATION INSTRUCTIONS

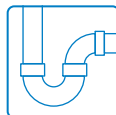


6202+6513.5R (right)



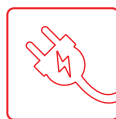
CONSTRUCTION:

Construction reinforcements (2"x8" C24 or better quality) or birch plywood 21mm from the floor to the roof.



PLUMBING:

1. Water supply: G $\frac{3}{4}$ "xG $\frac{3}{4}$ " Cut-off valve. Max. depth 50 mm from the wall. Not included. 2. Connecting flex pipe G $\frac{3}{4}$ "xG $\frac{3}{4}$ " L500 mm, 2 pcs. Not included.



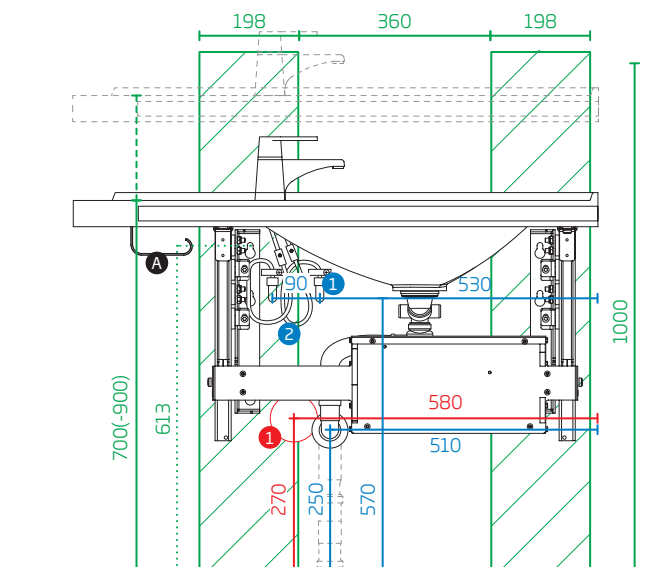
ELECTRICAL:

1. Joint box 230 V. Max h 15 mm. IP44 or better.

Load-bearing capacity for these products is 225 kg.

A. Toilet paper holder: 6226.

NOTE! Before installation, see product's installation instructions. Recommended free adjustable area for the basin is 700-900 mm.



6203+6513.5L (left)

Reinforcements of background structures must be made by professionals in accordance with good construction practice and local regulations.